

Pro Series Livewell/Baitwell Aerator Pump 1600 GPH, 12V/24V

52277 R01 (06/2021)

ORIGINAL INSTRUCTIONS/TRANSLATION OF ORIGINAL INSTRUCTIONS
READ AND UNDERSTAND THESE INSTRUCTIONS
PRIOR TO OPERATING OR SERVICING THIS PRODUCT



➤ **Johnson Pump®**

SE: Besök www.spxflow.com för mer information om vår världsomspännande organisation, våra godkännanden, certifieringar och lokala representanter. SPX FLOW, Inc. förbehåller sig rätten att ändra design och material utan föregående avisering. Designelement, konstruktionsmaterial och dimensioner som beskrivs i denna bulletin gäller endast som information och skall alltid bekräftas skriftligt för att vara gällande.

EN: For more information about our worldwide locations, approvals, certifications, and local representatives, please visit www.spxflow.com. SPX FLOW, Inc. reserves the right to incorporate our latest design and material changes without notice or obligation. Design features, materials of construction and dimensional data, as described in this bulletin, are provided for your information only and should not be relied upon unless confirmed in writing.

DE: Für weitere Informationen über unsere weltweiten Standorte, Zulassungen, Zertifizierungen und unsere Vertreter vor Ort, besuchen Sie bitte unsere Webseite: www.spxflow.com. Die SPX FLOW, Inc. behält sich das Recht vor, die neuesten Konstruktions- und Werkstoffänderungen ohne vorherige Ankündigung und ohne Verpflichtung hierzu einfließen zu lassen. Konstruktive Ausgestaltungen, Werkstoffe sowie Maßangaben, wie sie in dieser Mitteilung beschrieben sind, sind nur zur Information. Alle Angaben sind unverbindlich, es sei denn, sie wurden schriftlich bestätigt.

FR: Pour plus d'information sur nos succursales internationales, nos approbations, nos certifications et nos représentants locaux, veuillez consulter notre site Internet au www.spxflow.com. SPX FLOW, Inc. se réserve le droit d'incorporer nos plus récents concepts ainsi que tout autre modification importante sans préavis ou obligation. Les éléments décoratifs, matériaux de construction et les données dimensionnelles, tels qu'énoncés

dans ce communiqué, sont fournis pour votre information seulement et ne doivent pas être considérés comme officiels à moins d'avis contraire par écrit.

ES: Para más información sobre nuestras oficinas a nivel mundial, aprobaciones, certificaciones y representantes locales, por favor visite www.spxflow.com. SPX FLOW, Inc. se reserva el derecho de incorporar nuestro diseño más reciente y cambios materiales sin necesidad de notificación previa u obligación de ningún tipo. Características de diseño, materiales de construcción y dimensiones, tal y como están descritas en este boletín, son proporcionadas sólo con fines informativos y no deben ser usados como referencia a menos que sean confirmados por escrito.

IT: Per ottenere maggiori informazioni sulle nostre sedi nel mondo, autorizzazioni, certificazioni, e rappresentanti locali, potete visitare il sito www.spxflow.com. La SPX FLOW, Inc. si riserva il diritto di apportare cambiamenti ai propri design e materiali senza preavviso o vincolo. Le caratteristiche del design, i materiali di costruzione e i dati dimensionali, così come descritti nel presente bollettino, sono forniti solo per vostra informazione e non saranno oggetto di obbligazione salvo autorizzazione confermata per iscritto.

PRO SERIES LIVEWELL/BAITWELL - AERATOR PUMP

Features heavy duty bronze bottominlet, 1600 GPH of pumping power, dual port capability, mega torque motor, double all bearings, quiet running design, 1" NPT female intake. Built for the serious fisherman.

Part No.	Description	Capacity straight (13.6V/27.2V)	Capacity 3 ft (0.9 m) straight (13.6V/27.2V)	Amperage	Fuse Size	Connection
16004B	Pro Series Aerator Pump 1600 GPH 12V	1600 GPH	1550 GPH	7 A	10 A	1½" and 1¼"
16004B-24	Pro Series Aerator Pump 1600 GPH 24V	1600 GPH	1550 GPH	3.5 A	6 A	1½" and 1¼"

* Replacement for Pro Series (not including bronze base) 16004-00 12V Heavy Duty Bilge Pump, 16084-0024V Heavy Duty Bilge Pump

SPARE PARTS

Part No.	Description
10606-00	1½" Threaded Discharge Port 1600 GPH/2200 GPH
10607-00	1¼" Threaded Discharge Port 1600 GPH/2200 GPH

Installation Instructions

Important: Read before attempting Installation

The SPX Flow Johnson Pump Marine 1600 GPH Livewell/Baitwell Pump has been designed for pumping water in a marine environment. The pump is not to be used for pumping any other liquids other than water/seawater. Pumping other liquids can result in personal damage/injury and/or property damage.

Security:

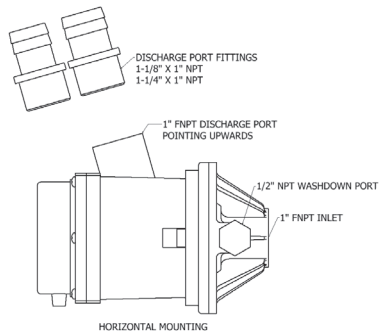
- The Livewell/Baitwell pumps are designed to simply install into any valve fitting with 1" NPT Male threads
- The pump may not be used for other liquids than water/seawater

- Always install the pump according to the wiring instructions
- Always use the fuse required per pump label
- The wire connections must be sealed with a marine sealant
- Insulation or cable sheathings must be placed above the highest water level
- Do not run dry for extended periods

Installation:

Please follow the installation instructions carefully to ensure maximum efficiency in your Livewell/Baitwell pump operation.

- 1) Pump should be installed below the water line to ensure a flooded suction to the pump.
- 2) Install a 1" seacock below the waterline in your boat.
Warning: Failure to install a seacock may subject your vessel to flooding.
- 3) Install a thru hull pickup with a filter grate to reduce or eliminate debris from entering the seacock and ultimately your Livewell/Baitwell pump.
- 4) Install your seacock and Livewell/Baitwell pump using pipe tape sealant such as Teflon tape on all threaded connections.
- 5) Attach Teflon tape or pipe tape sealant to a 1" NPT nipple that will screw on to your Livewell/Baitwell pump on one side and the other side to your 1" seacock.



The Livewell/Baitwell pump is equipped with 1-1/8" or 1-1/4" Barbed ports. The port threads into the discharge area of the pump. Make sure to apply thread sealant to the port threads. Tighten port until port is bottomed out with pump body. If the Livewell/Baitwell pump is to be mounted in a horizontal position, make sure the discharge is pointing in an upward position to allow air to vent.

Pump Operation:

- 1) Open your seacock to let in water and allow the pump to be flooded.
- 2) ****Important**** Make sure that when water has entered the pump that there are NO Leaks coming from the intake or discharge of the pump. It is critical to check and make sure there is no water leaking from any part of the pump during installation and operation of the pump.
- 3) Turn your Livewell/Baitwell pump "On"

- 4) Your tank should fill up until water comes out of the overflow pipe
- 5) The pump will continuously exchange water as long as it is on.
- 6) Turn off pump when you are done fishing and are ready to drain your tank.
- 7) Close the seacock when pump/system is not being used. Never leave your boat for extended periods of time without closing the seacock.

Optional Washdown Port

Your Livewell/Baitwell pump also has a port to be used for attaching a washdown pump. Remove the 1/2 NPT plug from Livewell/Baitwell pump side port and attach your washdown pump. Make sure to use sealant. Make sure that seacock is open before turning on your washdown pump to ensure supply of water to washdown pump. Close seacock valve after you are done with using your washdown pump.

CE When this product carried a CE mark, it conforms with the following standards: ISO 8846: 1990/electrical Devices – Protection Against Ignition of Surrounding Flammable Gases

Pro Series
Livewell/Baitwell
Aerator Pump
1600 GPH,
12V/24V

SPXFLOW

Customer Service & Support - Johnson Pump Marine

SE +46 19 21 83 10

johnson-pump.marine@spxflow.com

US +1 847 671-7867

jp-customerservice@spxflow.com

AUS +61 03 9589 9222

ft.aus.cs@spxflow.com

For more information about our worldwide locations, approvals, certifications, and local representatives, visit Johnson Pump - Marine at www.spxflow.com

SPX FLOW, Inc. reserves the right to incorporate our latest design and material changes without notice or obligation.

Design features, materials of construction and dimensional data, as described in this bulletin, are provided for your information only and should not be relied upon unless confirmed in writing. Please contact your local sales representative for product availability in your region. For more information visit www.spxflow.com.

The green "➤" and "X" are trademarks of SPX FLOW, Inc.



Made by SPX FLOW Johnson Pump®

Assembled in USA

ABILITY ON BOARD
-SINCE 1968-

➤ **Johnson
Pump®**