

EASY TO USE

The fully automatic production programme ensures easy handling when starting, running and ending the production. Mimic diagrams are included to give a fast and easy overview of the system. Icons resemble areas of the actual process with tanks, pipes, valves, pumps and other processing equipment. With GS Logic control system you can shift from one image to another, following the product through the production process.

INFORMATION

The automation system provides relevant data and production information in the form of reports, statistics, analyses, etc. These data can help improve productivity and allow for more precise management decisions. One important example is the historical trends report that helps monitor changes and reactions in the process over time.

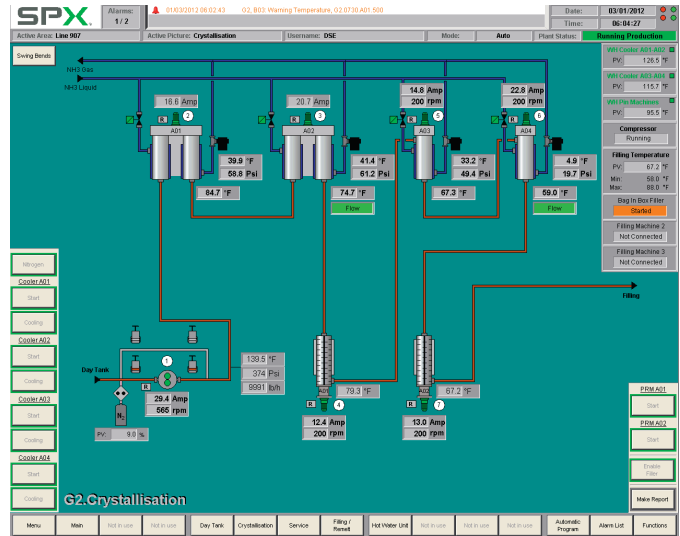
REMOTE ASSISTANCE

GS specialists are able to monitor your process on-line via a modem or an internet connection. The GS Logic control System exists in three versions: GS Logic Basic, GS Logic Advanced and GS Logic Professional.

GRAPHIC DISPLAY

The graphic displays give the user an immediate and precise overview of the process, due to the color-animated items.

All relevant values and process states are presented on the screen. All operations to the process can be preformed directly from the screen.



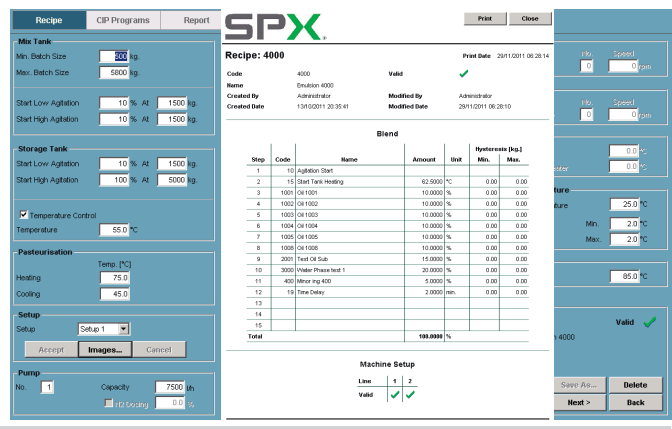
INTEGRATED WEB INTERFACE

(Only for GS Logic Professional)

The system offers editing of recipes from an ordinary browser. Furthermore, it allows the user to generate detailed batch, production and CIP reports.

The tracing feature provides information about every used component of a specific batch. This is essential in revealing the source of a faulted product.

	LOGIC BASIC	LOGIC ADVANCED	LOGIC PROFESSIONAL
SEMI-AUTOMATIC CONTROL OF THE PROCESS	•	•	•
SOFTWARE CONTROLLERS	•	•	•
PROFIBUS OR ETHERNET	•	•	•
30 RECIPES	•	•	•
1,000 RECIPES			•
FULL-AUTOMATIC PROGRAMMES FOR THE PROCESS		•	•
SCADA SYSTEM			•
SERVER PC WITH SQL DATABASE			•
HISTORICAL DATA SAVED FOR 12 MONTHS			•
WEB-BASED RECIPE EDITOR			•
WEB-BASED REPORT SYSTEM			•
REMOTE ASSISTANCE FOR THE PLC	•	•	•



SPXFLOW

SPX FLOW Oestmarken 7, 2860 Soeborg, Denmark

P: +45 70 278 222, F: +45 70 278 223

E: gs.dk.sales@spxflow.com · www.spxflow.com

SPX FLOW reserves the right to incorporate our latest design and material changes without notice or obligation. Design features, materials of construction and dimensional data, as described in this bulletin, are provided for your information only and should not be relied upon unless confirmed in writing. Please contact your local sales representative for product availability in your region. For more information visit www.spxflow.com. The green ">" is a trademark of SPX FLOW, Inc.

GS-603-GB VERSION 02/2016 ISSUED 01/2017

COPYRIGHT © 2016 SPX FLOW, Inc.