

Gerstenberg Schröder Nexus 200

SCRAPED SURFACE HEAT EXCHANGER

GS Nexus 200 Benefits:

ENERGY SAVING

During production less energy is needed per production hour compared to other brands of the same capacity. The reduced energy requirement is a result of longterm research of different cooling media in connection with an optimal scraper design and drive configuration. Additionally, we offer heat recovery systems to minimise the energy consumption.

PROCESS FLEXIBILITY

Each chilling tube operates with its individual cooling system and individual drive, which offers high flexibility with respect to chilling and scraping intensity of the product during processing.

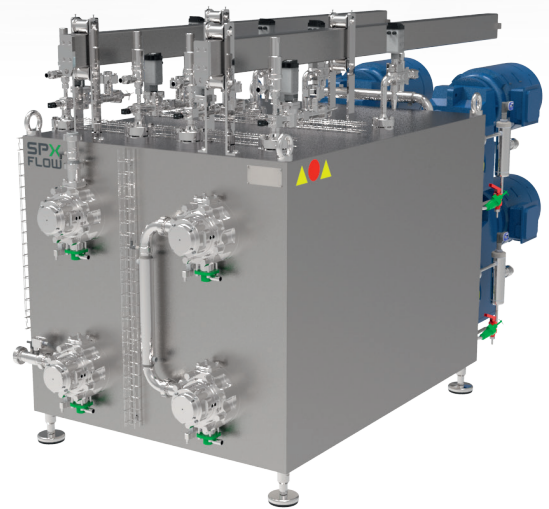
The electronic level control for the cooling media offers a stable cooling level and accurate outlet temperature of the product.

HYGIENIC DESIGN

The machine is PED designed and EHEDG design rules are in the design observed. CIP cycles can be performed fast and efficiently.

SCRAPER ROTOR SYSTEM

The standard scraper system is "floating turbo scrapers" in plastic material and many other forms and materials are available to suit your particular product application. To ease dismounting of the rotor a service beam (crane) is be mounted on the top.



OPTIMISATION OF FLOOR SPACE

Multiple machines can be placed close to each other as all pipes and valves for the cooling system are mounted on top of the GS Nexus. The water heating unit for the automatic rotor heating system is a stand-alone unit which fits perfectly under the motors.

MATERIALS

Product contacting parts are made of stainless steel and chilling tubes are made in carbon steel plated with hard chromium. Alternatively, other materials are available on request.

CERTIFICATIONS

According to Pressure Equipment Directive (PED) 2014/68/ EU, CE marked.

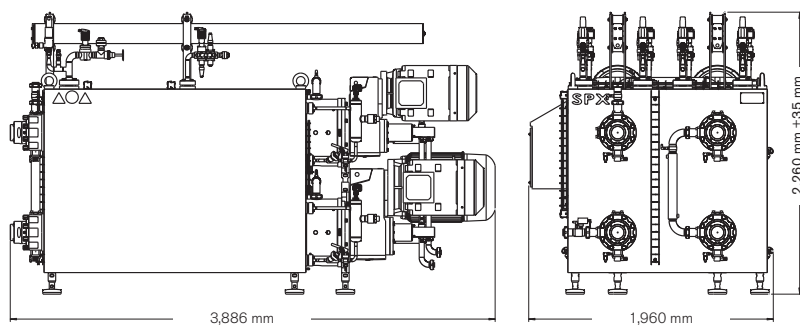
COOLING MEDIUM

CO₂, NH₃

GS NEXUS 200C	211 SC	222 SC	233 SC	244 SC	211 LC	222 LC	233 LC	244 LC
NOMINAL CAPACITY - PUFF PASTRY MARGARINE AT -10°C CO ₂ [KG/H]	NA	1,500	2,250	3,000	NA	2,300	3,450	4,600
NOMINAL CAPACITY - TABLE MARGARINE AT -10°C CO ₂ [KG/H]	1,400	2,800	4,200	5,600	2,175	4,350	6,525	8,700
NOMINAL CAPACITY -SHORTENING AT -10°C CO ₂ [KG/H]	2,150	4,300	6,450	8,600	3,350	6,700	10,050	13,400
NUMBER OF REFRIGERANT CIRCUITS	1	2	3	4	1	2	3	4
NUMBER OF TUBES PER REFRIGERANT CIRCUIT	1	1	1	1	1	1	1	1
MOTORS FOR PUFF PASTRY MARGARINE [kW]	NA	30+45	30+37+45	22+30+37+45	NA	45+75	37+55+75	30+37+55+75
MOTORS FOR TABLE MARGARINE [kW]	22	2x22	3x22	4x22	37	22+30	22+22+30	22+22+30+30
MOTORS FOR SHORTENING [kW]	22	2x22	3x22	4x22	37	22+30	22+22+30	22+22+30+30
NUMBER OF GEAR BOXES	1	2	3	4	1	2	3	4
COOLING SURFACE PER TUBE [M ²]	0.8	0.8	0.8	0.8	1.25	1.25	1.25	1.25
ANNULAR SPACE [MM]	10	10	10	10	10	10	10	10
MAX. CO ₂ CAPACITY AT -10°C [KW]	58/65	95/115/130	143/173/195	190/230/260	90/105	145/180/210	218/270/315	290/360/420
MAX. NH ₃ CAPACITY AT -20°C [KW]	58/65	95/115/130	143/173/195	190/230/260	90/105	145/180/210	218/270/315	290/360/420
MAX. WORKING PRESSURE - MEDIA SIDE [BAR]	55	55	55	55	55	55	55	55
MAX. WORKING PRESSURE - PRODUCT SIDE [BAR]	120	120	120	120	120	120	120	120
MIN. WORKING TEMPERATURE [C°]	-30	-30	-30	-30	-30	-30	-30	-30
CHILLING TUBE DIAMETER/ LENGTH [MM]	200/1,275	200/1,275	200/1,275	200/1,275	200/2,019	200/2,019	200/2,019	200/2,019
PRODUCT VOLUME PER TUBE [L]*	15	15	15	15	23	23	23	23
PRODUCT PIPE IN/OUT [MM]	DN50	DN50	DN50	DN50	DN50	DN50	DN50	DN50
ROWS OF SCRAPERS	4	4	4	4	4	4	4	4
NOMINAL SCRAPER ROTOR SPEED [RPM]*	275	275	275	275	275	275	275	275
WATER ATTEMPERATION CAPACITY [kW]**	9	2x9	3x9	3x9	9	2x9	3x9	4x9
WATER ATTEMPERATION VOLUME [L]**	60	60	60	60	60	60	60	90
WATER CIRCULATION PUMP [kW]**	0.55	0.55	0.55	0.55	0.55	0.55	0.55	0.55
DIMENSION [LxWxH] [MM]	2,995x968x1,461	2,995x968x2,261	2,995x1,948x2,261	2,995x1,948x2,261	3,739x968x1,461	3,886x968x2,261	3,886x1,948x2,261	3,886x1,948x2,261
WEIGHT [KG]	1,900	3,430	5,450	6,200	2,200	4,500	6,800	7,750

* Approximately. ** Stand-alone unit.

Nexus 244 LC



SPXFLOW

SPX FLOW Oestmarken 7, 2860 Soeborg, Denmark

P: +45 70 278 222, F: +45 70 278 223

E: gs.dk.sales@spxflow.com · www.spxflow.com

SPX FLOW reserves the right to incorporate our latest design and material changes without notice or obligation. Design features, materials of construction and dimensional data, as described in this bulletin, are provided for your information only and should not be relied upon unless confirmed in writing. Please contact your local sales representative for product availability in your region. For more information visit www.spxflow.com. The green ">" is a trademark of SPX FLOW, Inc.

GS_Nexus200_201_DST_GB Version 04/2021

COPYRIGHT © 2019 SPX FLOW, Inc.