

Gerstenberg Schröder Plate Pre-Cooling Unit

GS Plate Pre-Cooling Unit Benefits:

ALL IN ONE

The GS plate pre-cooling unit consists of a single-section plate heat exchanger (PHE) for cooling fat blend using cold water before it is fed to crystallisation. The pre-cooling unit includes a water circulation pump, temperature regulation valves and fittings. The pre-cooling unit is completely assembled, pre-wired and ready for commissioning.

EASY MAINTENANCE

The pre-cooling unit is designed for cleaning in place (CIP), and when maintenance is necessary this can be done quickly and easily due to the free access to the PHE and the regulating system.

NOMINAL CAPACITY

The nominal capacity depends on the product and the product temperature profile. The nominal capacities listed in the table overleaf are based on a temperature profile from 65°C to 40°C.

CERTIFICATION

Construction is in accordance with the European Pressure Equipment Directive (PED) 2014/68/EU. Other certifications can be delivered on request.



MATERIALS

Product contacting parts including the plates in the PHE for product are made of stainless steel AISI 316L.

OPTIONS

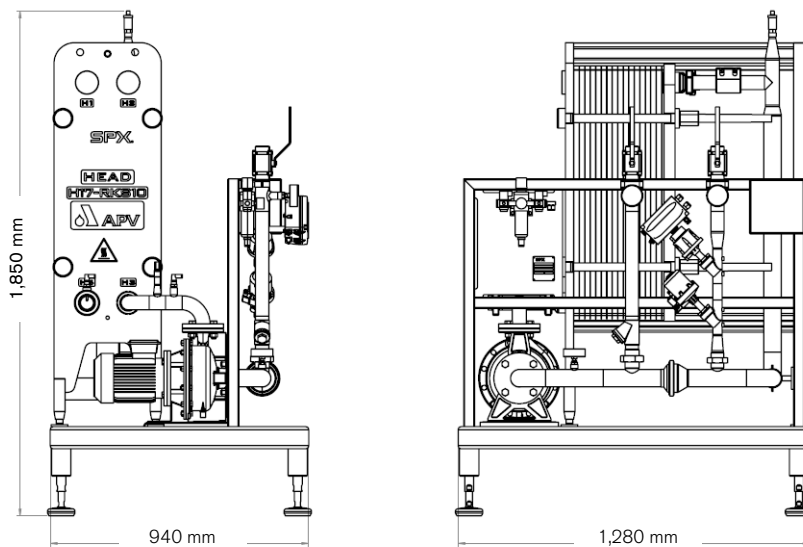
SMO 254 is recommended as the PHE plate material for products containing less than 1% salt in the emulsion. For products containing more than 1% salt in the emulsion, titanium is recommended as the material for the PHE plate.

ADDITIONAL TECHNICAL INFORMATION

Cooling medium: Cooling water at 30°C. Pressurised air of 6 bar for various valves. All product unions are according to ISO 2037, and other unions are according to SMS.

GS PRE COOLING UNIT	1,500	3,000	4,500	7,000	10,800
NOMINAL CAPACITY - SHORTENING [KG/H]	1,500	3,000	4,500	7,000	10,800
MAX. WORKING PRESSURE [BAR]	10	10	10	10	10
COOLING WATER [M ³ /H] AT MAX. 30 °C	3.2	7	10	15	24
COLD WATER CIRCULATION PUMP [KW]	0.55	1.1	1.1	1.5	1.5
PRODUCT PIPE IN-/OUTLET [MM]	25X1.2	38X1.2	51X1.2	51X1.2	63.5X1.6
FLOW RATE CIP [M ³ /H]	3	11.0	13.7	16.0	17.8
PRESSURE DROP CIP [BAR]	0.5	0.5	0.8	0.8	0.5
DIMENSION WxLxH [CM]*	84x108x185	84x108x185	94x128x185	94x128x185	94x128x185
MACHINE WEIGHT [KG]*	400	500	520	550	550

* Approximately.



GS plate pre-cooling unit 4500

SPXFLOW

SPX FLOW Oestmarken 7, 2860 Soeborg, Denmark

P: +45 70 278 222, F: +45 70 278 223

E: gs.dk.sales@spxflow.com · www.spxflow.com

SPX FLOW, Inc. reserves the right to incorporate our latest design and material changes without notice or obligation.

Design features, materials of construction and dimensional data, and certifications as described in this bulletin, are provided for your information only and should not be relied upon unless confirmed in writing. Please contact your local sales representative for product availability in your region. For more information visit www.spxflow.com.

The green "s" and "x" are trademarks of SPX FLOW, Inc.

GS_Unit-Plate-Precooling_DST_GB

Version: 05/2020

COPYRIGHT © 2020 SPX FLOW, Inc.

Identification Number: GS-610-GB