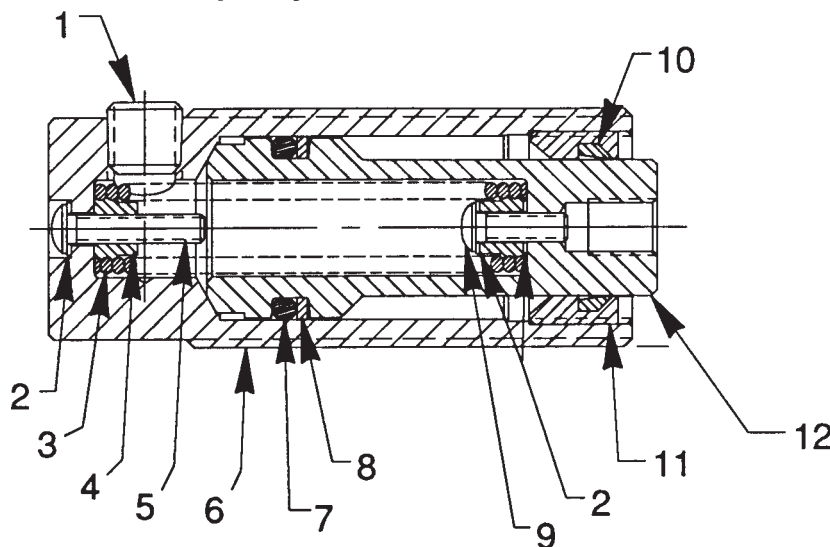


**SINGLE ACTING - SPRING RETURN  
HYDRAULIC CYLINDER**  
Max. Capacity: 1.96 Tons at 5,000 PSI



Item No.	Part No.	No. Req'd	Description
1	10427	1	Pipe Plug (1/8 NPTF)
2	*16079	3	Soft Copper Washer (17/64 X 11/64 X 1/32)
3	207529	1	Extension Spring (1/2 O.D. X 2 1/8 Lg.)
4	201410	2	Spring Retainer
5	214217	1	Cap Screw (#8-32 UNC X 3/4 Lg.; Torque to 50/60 in. lbs.)
6	308086	1	Cylinder Body
7	*10276	1	O-ring (1" X 3/4 X 1/8, -210)
8	*19138	1	Backup Washer
9	214197	1	Cap Screw (#8-32 UNC X 1/2 Lg.; Torque to 50/60 in. lbs.)
10	214200	1	Retainer Nut (Apply Loctite 242 & Torque to 10/30 in. lbs.)
11	*214201	1	Rod Wiper
12	308085	1	Piston Rod

**PARTS INCLUDED BUT NOT SHOWN**

216207	1	Hex. Jam Nut (1-5/16-16 UNC)
--------	---	------------------------------

Part numbers marked with an asterisk (\*) are contained in Repair Kit No. 300482.

Refer to any operating instructions included with this product for detailed information about operation, testing, disassembly, reassembly, and preventive maintenance.

Items found in this parts list have been carefully tested and selected. **Therefore: Use only genuine Hytec replacement parts!**

Additional questions can be directed to our Technical Services Department.