

Swing/Pull Clamps - Threaded Body Style - 365 lbs.



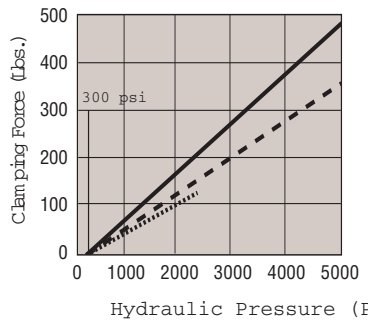
Swing/Pull Clamps - Threaded Body Style - 365 lbs.



Features:

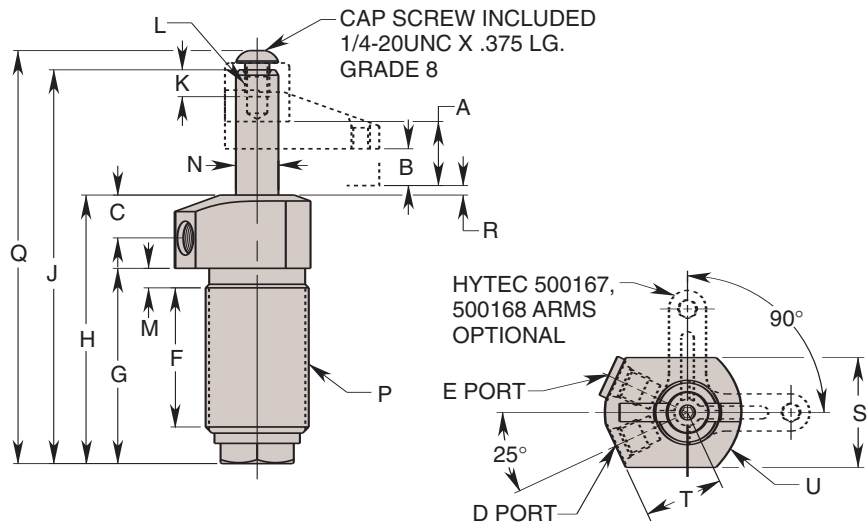
- Full thread provides wide range of precise height adjustment
- Simple installation/removal
- "Live Roller" design provides industry's most reliable swing/pull mechanism
 - Piston/Cam combination provides solid path for clamping action
 - Typical ball and groove mechanism has higher potential for clogging and for damage from mis-aligned work pieces
- Available in single and double acting versions
- Special rod wiper seal protects internal clamp components

- Unique drainage system channels contaminants away from clamp
- Corrosion resistant construction
- Heat treated, chrome plated piston rod
- Unique "Live Roller"™ swing mechanism for increased service life
- Power-Tech™ treated body and hardened cam for long wear and corrosion resistance
- 5,000 psi max.
- Straight pull capacity 480 lbs. at 5,000 psi max.



Performance

- With Hytec No. 500168 (3.25" long)
- - - With Hytec No. 500167 (1.06" long)
- Straight Pull



Cat. No.	Oper.	Specifications				Dimensions (In Inches)				
		Swing Direction	*Force (Lbs.)	Eff. Area (Sq. In.)		Oil Cap. (Cu. In.)		A Total Stroke	B Clamping Strokes	C
110001	Single-Acting	LH (Counter Clockwise)	365	.098	.065	.638	.320	.480	5/16-24 UNF SAE-2	Breather Plug †5/16-24 UNF SAE-2
110002		RH (Clockwise)								
110003		Straight Pull								
110004	Double-Acting	LH (Counter Clockwise)	.248	.163	.638	.320	.480	5/16-24 UNF SAE-2	Breather Plug †5/16-24 UNF SAE-2	
110005		RH (Clockwise)								
110006		Straight Pull								

Cat. No.	Dimensions (In Inches)													
	F	G	H	J	K Thread Min.	L Thread Size	M	††N Dia.	P Thread Size	Q	R	S	T	U Radius
110001	1.418	2.000	2.750	4.032	.275	1/4-20 UNC	.200	.435	1 1/16-16 UN	4.229	.096	1.126	.810	.750
110002														
110003														
110004														
110005														
110006														
110126									1 1/16-16 UN	4.229	.096	1.186	.810	.750
110127														
110128														
110129														
110130														
110131														
110131														

Note: * With 1" arm at 5,000 psi max. operating pressure. Internal cam may be removed for an unguided straight pull. See page 58 for maximum operating speeds and rotation options.
 † Do not pressurize - single acting only.
 †† See page 59 for custom arm mounting.