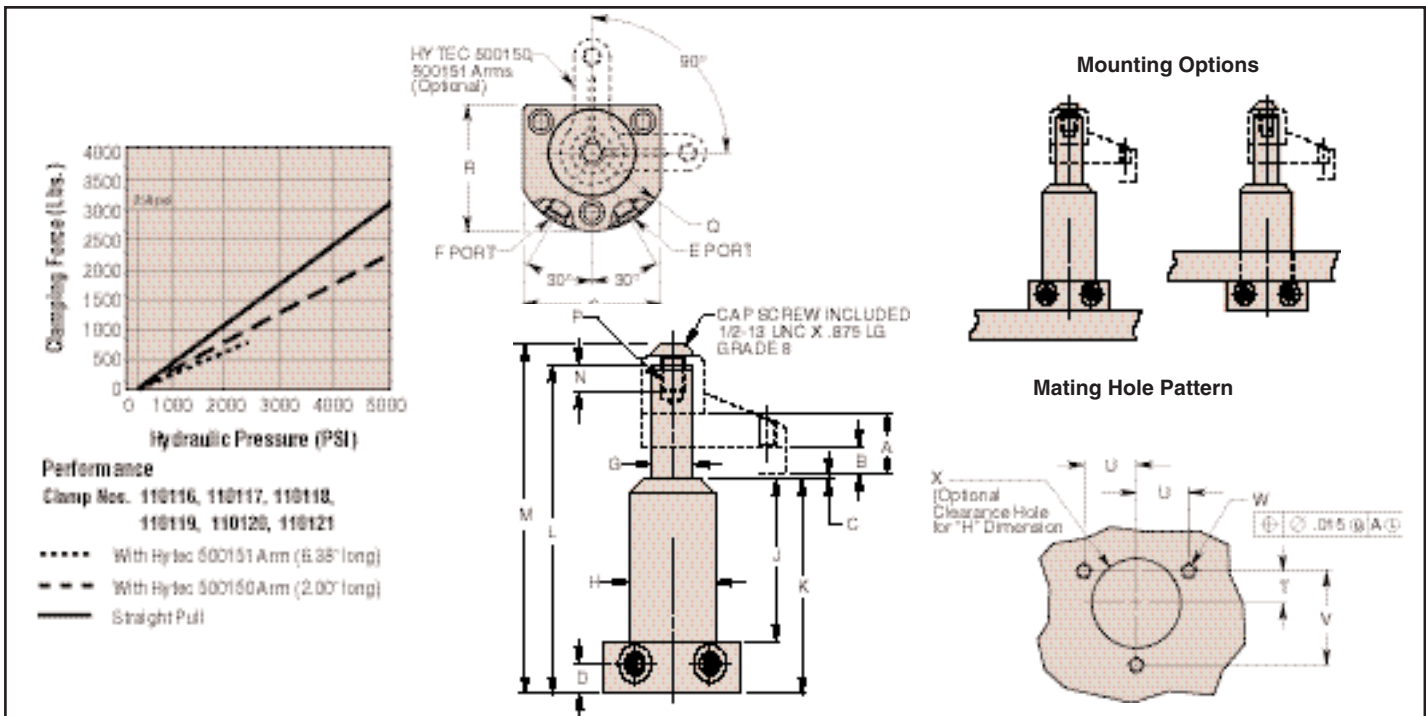

**Features:**

- External plumbing eliminates need to gun drill additional ports in fixture
- Can be inserted from above or below fixture plate
  - Top mounting provides extra height to accommodate large work pieces
  - Top mounting does not require drilling of large fixture hole
- Special rod wiper seal protects internal clamp components
- Corrosion resistant construction
- Heat treated, chrome plated piston rod
- Unique "Live-Roller" swing mechanism for increased service life

- Power-Tech™ treated body and hardened cam for long wear and corrosion resistance
- 5000 psi maximum
- Single- and double-acting models are dimensionally interchangeable
- Straight pull capacity 3,144 lbs. at 5,000 psi



Cat. No.	Specifications						Dimensions (In Inches)							
	Oper.	Swing Direction	*Force (Lbs.)	Eff. Area (Sq. In.)	Oil Cap. (Cu. In.)		A Total Stroke	B Clamping Stroke	C	D	E Clamp Port	F Unclamp Port	††G Dia.	H Dia.
110116	Single-Acting	LH (Counterclockwise)	2,400	.626	.740	1.163	.490	.104	.620	3/16-20 UNF	Breather Plug 3/16-20 UNF † SAE-4	.875	1.807	
110117		RH (Clockwise)												
110118		Straight Pull												
110119	Double-Acting	LH (Counterclockwise)	1.227	1.460	1.163	.490	.104	.620	3/16-20 UNF	Breather Plug 3/16-20 UNF † SAE-4	.875	1.807		
110120		RH (Clockwise)												
110121		Straight Pull												

Cat. No.	Dimensions (In Inches)													
	J	K	L	M	N Thread Min.	**P Thread Size	Q Radius	R	S	T	U	V	W Thread Size	X Dia.
110116	3.419	4.504	6.905	7.335	.550	1/4-13 UNC	1.630	2.630	2.880	.625	1.082	1.875	3/16-18 UNC	1.830 1.850
110117														
110118														
110119														
110120														
110121														

**NOTE:** \* With 2.00" long arm at 5,000 psi max. operating pressure.  
 † Do not pressurize - single-acting only.  
 †† See page 59 for custom arm mounting.

Internal cam may be removed for an unguided straight pull.  
 See page 58 for maximum operating speeds and rotation options.