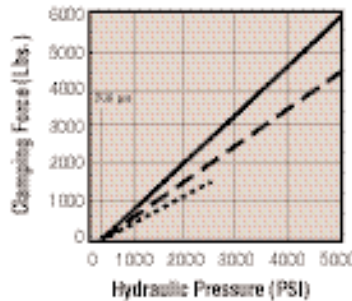




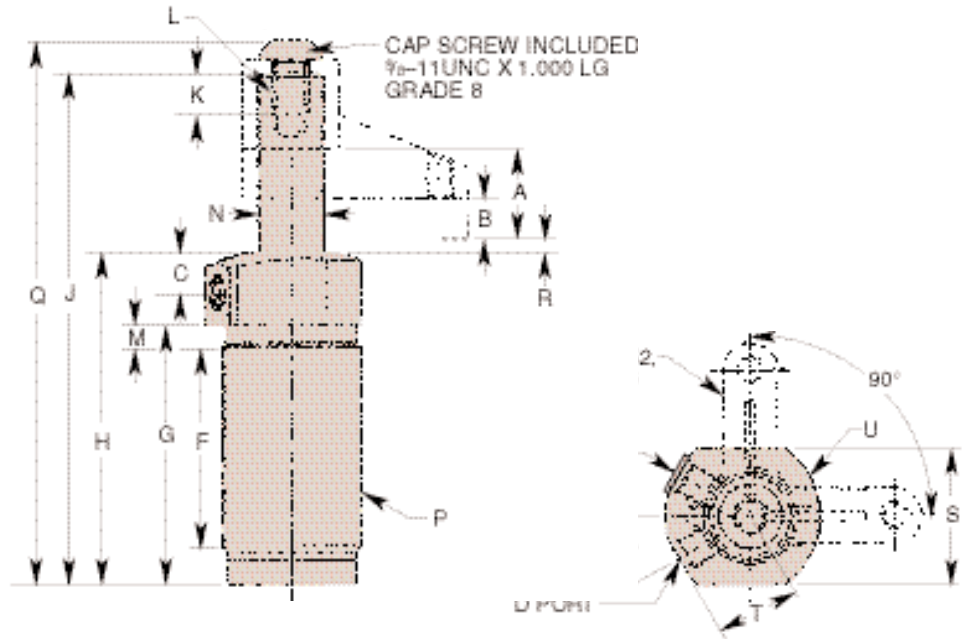
Features:

- Full thread provides wide range of precise height adjustment
- Simple installation/removal
- "Live Roller" design provides industry's most reliable swing/pull mechanism
 - Piston/Cam combination provides solid path for clamping action
 - Typical ball and groove mechanism has higher potential for clogging and for damage from mis-aligned work pieces
- Available in single and double acting versions
- Special rod wiper seal protects internal clamp components
- Unique drainage system channels contaminants away from clamp
- Corrosion resistant construction
- Heat treated, chrome plated piston rod
- Unique "Live roller" swing mechanism for increased service life
- Power-Tech™ treated body and hardened cam for long wear and corrosion resistance
- Straight pull capacity 5,900 lbs. at 5,000 psi max



Performance

- Clamp Nos. 100901, 100902, 100903, 100898, 100899, 100900
- With Hytec 5001 53 Arm (5.95" long)
 - - - With Hytec 5001 52 Arm (2.50" long)
 - Straight Pull



Cat. No.	Specifications					Dimensions (In Inches)							
	Oper.	Swing Direction	*Force (Lbs.)	Eff. Area (Sq. In.)		Oil Cap. (Cu. In.)		A Total Stroke	B Clamping Stroke	C	D Clamp Port	E Unclamp Port	F
				Clamp	Unclamp	Clamp	Unclamp						
100901	Single-Acting	Left Hand (Counter Clockwise)	5,000	1.178	-	1.914	1.625	.600	.804	7/16-20UNF SAE-4	Breather Plug 7/16-20UNF SAE-4†	3.822	
100902		Right Hand (Clockwise)											
100903		Straight Pull											
100898	Double-Acting	Left Hand (Counter Clockwise)	5,000	2.405	-	3.908	1.625	.600	.804	7/16-20UNF SAE-4	Breather Plug 7/16-20UNF SAE-4†	3.822	
100899		Right Hand (Clockwise)											
100900		Straight Pull											

Cat. No.	Dimensions (In Inches)												
	G	H	J	K Thread Min.	L Thread Size	M	††N Dia.	P Thread Size	Q	R	S	T	U Radius
100901	4.686	5.880	9.265	.690	5/8-11UNC	.250	1.248	2 1/2-16UN	9.856	.330	2.500	1.420	1.375
100902													
100903													
100898													
100899													
100900													

NOTE: * With 2.50" long arm at 5,000 psi max. operating pressure. Internal cam may be removed for an unguided straight pull.
 † Do not pressurize - single-acting only. See page 58 for maximum operating speeds.
 †† See page 59 for custom arm mounting.