

SIDE ENTRY PORTABLE MIXERS

ECL Series - SE

Maximize Efficiency with the ECL SE

Designed for reliability, versatility, and seamless integration, the Side Entry version of the ECL Series Mixer is your ultimate solution for high-performance mixing.

KEY FEATURES:

- **Perfect for Side-Entry Applications:** Designed to meet the unique demands of side-entry mixing, ideal for large tanks and applications requiring precise, efficient agitation
- **Optimized for Food & Beverage (F&B):** Polished finishes and advanced ESH seals meet the highest hygiene standards, ensuring compliance with stringent industry regulations.
- **Enhanced Durability:** Built to withstand demanding environments, with materials that resist wear and corrosion.
- **Customizable Options:** Choose from single or double seals, finishes, and configurations tailored to your industry needs.



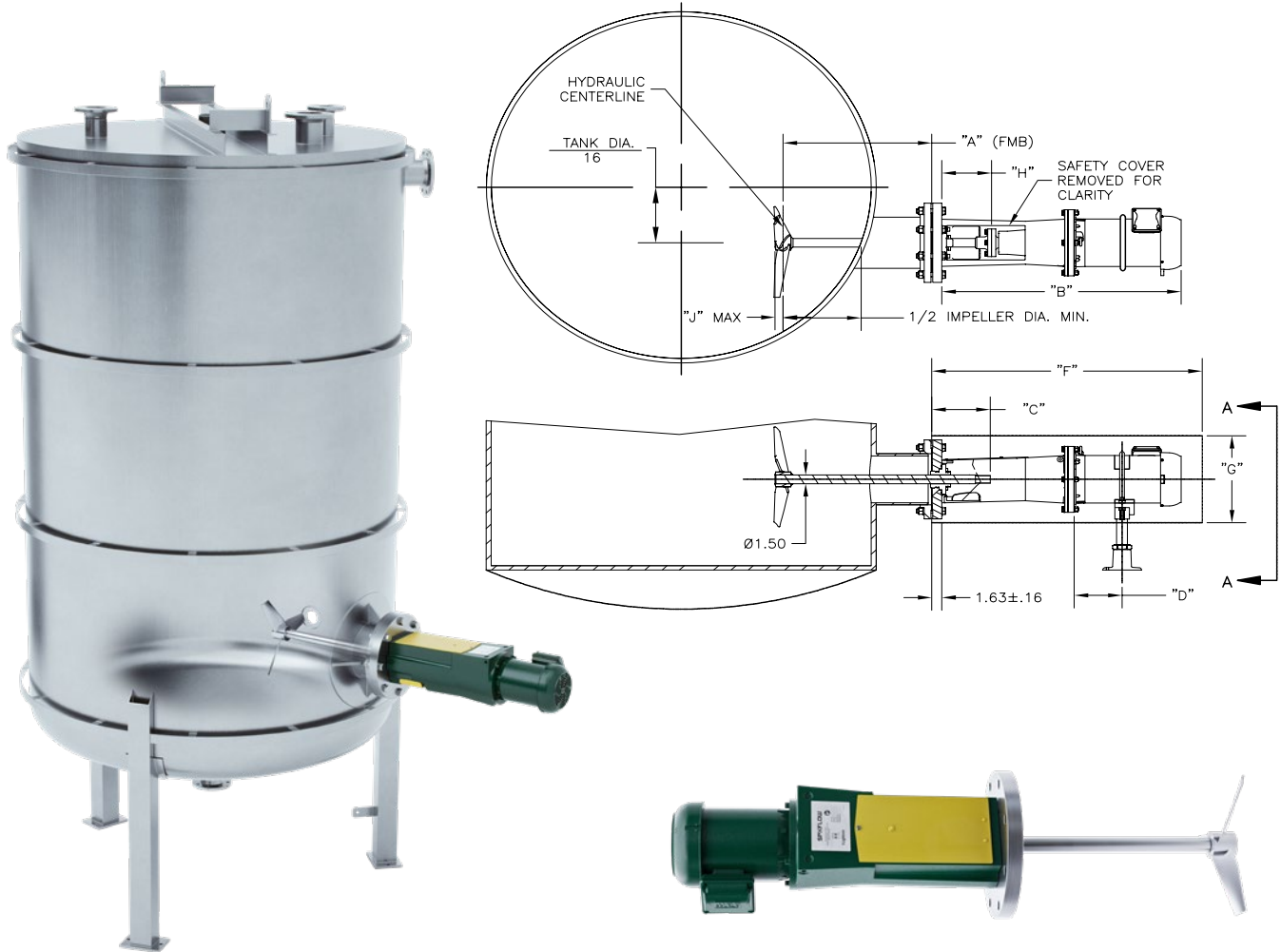
Designed for Your Industry:

The ECL Side Entry Mixer is a versatile solution perfect for:

- **Food & Beverage Processing:** Hygienic seals and polished surfaces for safe, compliant mixing.
- **Chemical Applications:** Durable components resistant to corrosive materials.
- **Pharmaceuticals:** Precision mixing with minimal risk of contamination.

DIMENSIONS ARE IN INCHES - 18 MM (0.71 IN.)

| HP | A | B | C (ANSI) | C (DIN) | D | F (MAX) | G | H | J (MAX) | APPROX. WEIGHT (LBS.) | |
|----------|-------|-------|----------|---------|------|---------|-------|------|---------|-----------------------|---------------------|
| | | | | | | | | | | MIXER | W/ IMPELLER & SHAFT |
| 0.25-0.5 | 22.55 | 25.88 | 7.9 | 7.71 | 2.00 | 44.75 | 30.31 | 6.51 | 0.78 | 237 | 264 |
| 0.75 | 20.77 | 28.36 | 9.05 | 8.86 | 2.25 | 47.25 | 30.31 | 7.65 | 0.91 | 256 | 278 |
| 1.0 | 20.78 | 29.94 | 9.05 | 8.86 | 3.75 | 48.78 | 30.31 | 7.65 | 0.90 | 264 | 286 |
| 1.5 | 20.61 | 31.12 | 9.05 | 8.86 | 4.50 | 50.00 | 30.31 | 7.65 | 1.07 | 272 | 295 |
| 2.0 | 20.71 | 32.53 | 9.05 | 8.86 | 4.94 | 51.38 | 30.31 | 7.65 | 0.97 | 283 | 306 |
| 3.0 | 20.71 | 36.84 | 9.05 | 8.86 | 7.75 | 55.69 | 32.00 | 7.65 | 0.97 | 335 | 358 |



SPX FLOW, Inc. reserves the right to incorporate our latest design and material changes without notice or obligation. Design features, materials of construction and dimensional data, as described in this bulletin, are provided for your information only and should not be relied upon unless confirmed in writing. Please contact your local sales representative for product availability in your region. The green “>” is a trademark of SPX FLOW, Inc.

For more information, visit www.spxflow.com/lightnin
 ©2025 SPX FLOW, Inc.
 LGT_ECL_SE_US

Version: 02/2025