

# SPXFLOW

## EV Series

PORTABLE MIXERS



>Lightnin®

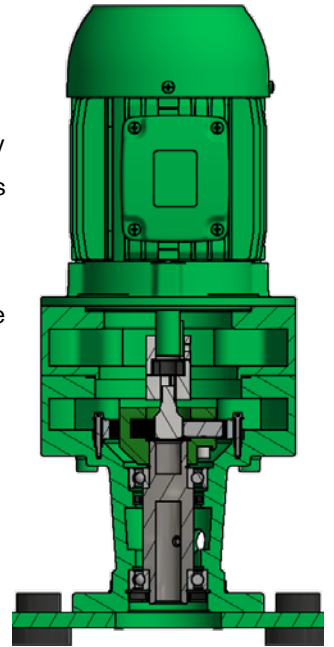
A World Leader in Industrial Mixing since 1923, Lightnin has over 90 years of unrivaled experience in industrial mixing technology, process knowledge, and technological innovation. Lightnin enjoys a global reputation for durable, long-lasting mixers, agitators, aerators, and flocculators for fluid process systems. We offer a full spectrum of impeller designs for diverse applications. In addition, we offer a worldwide service network, mixer repair, gearbox repair, and replacement parts programs. Look to Lightnin for knowledge, technology, and service excellence.

SPX FLOW, Inc. (NYSE:FLOW) is a leading manufacturer of innovative flow technologies, many of which help define the industry standard in the market segments they serve. Based in Charlotte, North Carolina, SPX FLOW innovates with customers to help feed and enhance the world by designing, delivering and servicing high value solutions at the heart of growing and sustaining our diverse communities. The company's product offering is concentrated in rotating, actuating and hydraulic technologies, as well as automated process systems, into food and beverage and industrial markets. SPX FLOW has approximately \$1.5 billion in annual revenues with operations in more than 30 countries and sales in more than 100 countries.

To learn more about SPX FLOW capabilities, its latest technology innovations and complete service offerings, please visit [www.spxflow.com](http://www.spxflow.com).

## Quality and Reliability from the world leader in Fluid Mixing

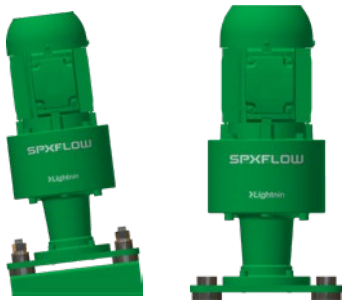
- Motor rating 0.25kW to 0.75kW
- 280 RPM / 350 RPM (50Hz / 60Hz) Gear Drive units feature lower speeds and higher torque for mixing large batches of low viscosity fluids or smaller batches of high viscosity fluids
- Self-aligning, floating gears optimize load sharing and reduce wear
- 1,425 RPM / 1780 RPM Direct Drive units are designed for small batch mixing plus high fluid shear applications
- Sealed for life lubrication offers low maintenance operation
- Oversized bearings provide superior shaft support
- High efficiency, high flow A310 hydrofoil impeller as standard
- Backed by LIGHTNIN's 100% process guarantee





### MOUNTING OPTIONS

- Clamp / Beam Plate Module (P)
- Clamps to vessel or stand
- 0° to 90° vertical adjustment
- 20° / 0° standard horizontal mounting
- Adjustable mounting to control fluid flow patterns for better mixing



### FIXED MOUNT (OPEN TANK) MODULE (Q)

- Vertical on center for baffled tanks
- Vertical offset / Angled offset for unbaffled tanks
- Rubber base mounts allows operation through shaft's 1st natural frequency



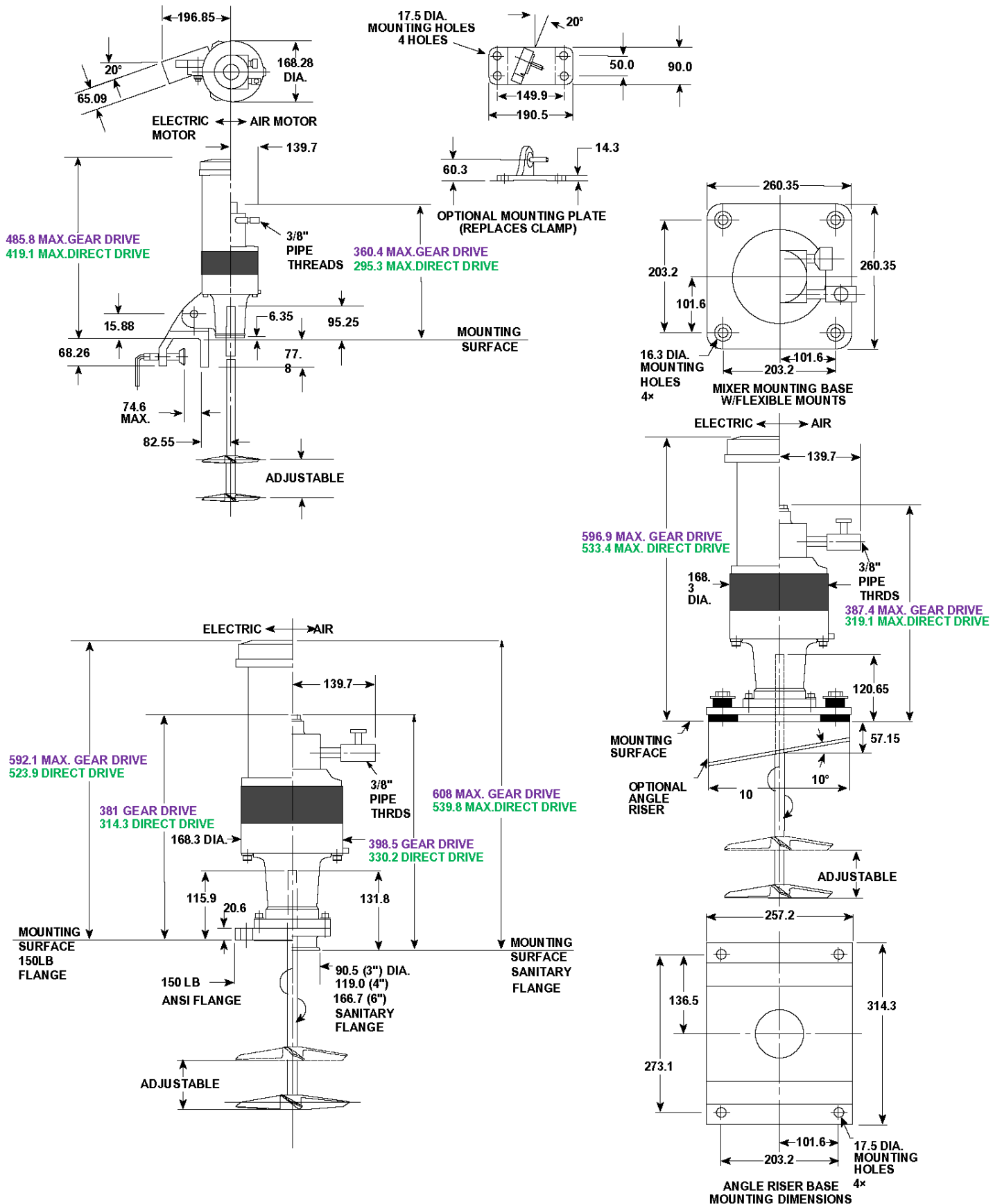
### FLANGED MOUNT (CLOSED TANK) MODULE

- Lip Seal Option (L):  
Flange-Mount with dust / lip seal.
- Packed Seal Option (C):  
Flange-Mount with low pressure stuffing box upto 300kPa
- Mechanical Seal Option (S):  
Single mechanical seal operating upto 600kPa  
Double mechanical seals and special sealing arrangements can often be accommodated

## Typical Applications



# Specifications



## IMPELLER OPTIONS



**A100**  
Marine Propeller



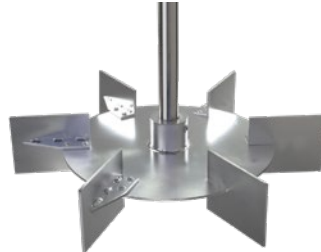
**A310**  
High Efficiency Hydrofoil



**A200**  
Pitch Blade Turbine



**A320**  
High Solidity Hydrofoil



**R100**  
Rushton Turbine

A—Axial Flow  
(parallel to shaft)

R— Radial Flow  
(perpendicular to shaft)

	Volume (L)	≤200	≤500	≤1000	≤1500	≤2500	≤3500	≤5000	≤7500	≤10000	≤12500	≤15000	≤20000
		Viscosity (cp)											
<b>A310 IMPELLER</b>	1	EV1_25 (1) 1- 114	EV1_25 (1) 1- 114	EV1_25 (2) 1- 114	EV1_37 (5) 1- 132	EV5_25 (2) 1- 300	EV5_25 (3) 1- 300	EV5_37 (2) 1- 325	EV5_37 (3) 1- 325	EV5_37 (7) 2- 284	EV5_55 (11) 2- 300	EV5_75 (10) 2- 325	EV5_75 (12) 2- 325
	100	EV1_25 (2) 1- 114	EV1_25 (3) 1- 114	EV1_37 (4) 1- 132	EV1_37 (5) 1- 132	EV5_25 (5) 1- 300	EV5_37 (8) 1- 325	EV5_37 (11) 2- 284	EV5_55 (13) 2- 325	EV5_75 (12) 2- 325	EV5_75 (17) 2- 325		
	250	EV1_25 (3) 1- 114	EV1_37 (3) 1- 132	EV5_25 (3) 1- 300	EV5_25 (4) 1- 300	EV5_37 (6) 1- 325	EV5_55 (7) 1- 345	EV5_55 (10) 1- 345	EV5_75 (14) 2- 325				
	500	EV1_37 (4) 1- 97	EV5_25 (5) 1- 284	EV5_37 (4) 1- 300	EV5_37 (6) 1- 300	EV5_55 (8) 1- 325	EV5_75 (7) 1- 384	EV5_75 (10) 1- 384					
	1,000	EV5_25 (2) 1- 284	EV5_37 (3) 1- 300	EV5_55 (5) 1- 325	EV5_55 (6) 1- 325	EV5_75 (10) 1- 345							
<b>A100 IMPELLER</b>	2,500	EV5_37 (3) 1- 239	EV5_55 (5) 1- 267	EV5_75 (7) 2- 254	EV5_75 (10) 2- 254								
	5,000	EV5_55 (4) 1- 254	EV5_75 (7) 2- 239										
	10,000	EV5_75 (6) 2- 239											
	15,000	EV5_75 (10) 2- 196											Mixer Model No. Blend Time (min) No. Imp-Dia (mm)

- Tank height to diameter ratio between 0.8 - 1.2
- Liquids with Newtonian viscosity characteristics
- S.G. difference of liquids < 0.1
- Use for mild blending applications

- Maximum density 1.10 g/cm<sup>3</sup>
- Maximum viscosity ratio - 10:1 (>250cP)
- Mixer in operation during filling and emptying



# SPXFLOW

## Global Locations

### SPX FLOW - CHINA

7F Nanfeng Tower  
1568 Huashan Rd, Shanghai  
+86 21 2208 5888  
Ltn-china@spxflow.com

### SPX FLOW - SINGAPORE

20 Pioneer Crescent #06-01  
Singapore 628555  
+65 6264 4366

### SPX FLOW - INDIA

Survey no.275, Odhav Road  
Odhav, Ahmedabad - 382415, India  
+91 79 6677 8811

### SPX FLOW - JAPAN

Unosawa Tokyu Bldg. 2F, 1-  
19-15 Ebisu, Shibuya-Ku,  
Tokyo 150-0013 Japan  
+81 3 5793 5611

### SPX FLOW - AUSTRALIA

300 Wellington Road  
Mulgrave, VIC 3170.  
ft.aus.cs@spxflow.com  
Ph: 03 9589 9222

### SPX FLOW - AUSTRALIA

Suite 2.03, Level 2  
102 Bennelong Parkway  
Sydney Olympic Park, NSW 2127  
Ph: 02 9763 4900



SPX FLOW brands offer a full range of after-sales Genuine Spare Parts to ensure that the original SPX FLOW equipment continues to operate at its maximum performance and reliability.

### SPX FLOW - LIGHTNIN & PLENTY MIXERS

135 Mt. Read Blvd.  
Rochester, NY 14611  
P: +1 (888) 649-2378 (MIX-BEST) (US and Canada) or +1 (585) 436-5550  
F: +1 (585) 436-5589  
E: lightnin@spxflow.com • www.spxflow.com/lightnin

SPX FLOW, Inc. reserves the right to incorporate our latest design and material changes without notice or obligation. Design features, materials of construction and dimensional data, as described in this bulletin, are provided for your information only and should not be relied upon unless confirmed in writing. Please contact your local sales representative for product availability in your region. For more information visit [www.spxflow.com](http://www.spxflow.com).

The green "◀" and "▶" are trademarks of SPX FLOW, Inc.