

>Lightnin®



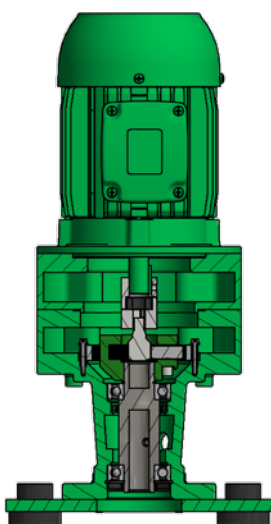
EV SERIES

PORTABLE MIXERS

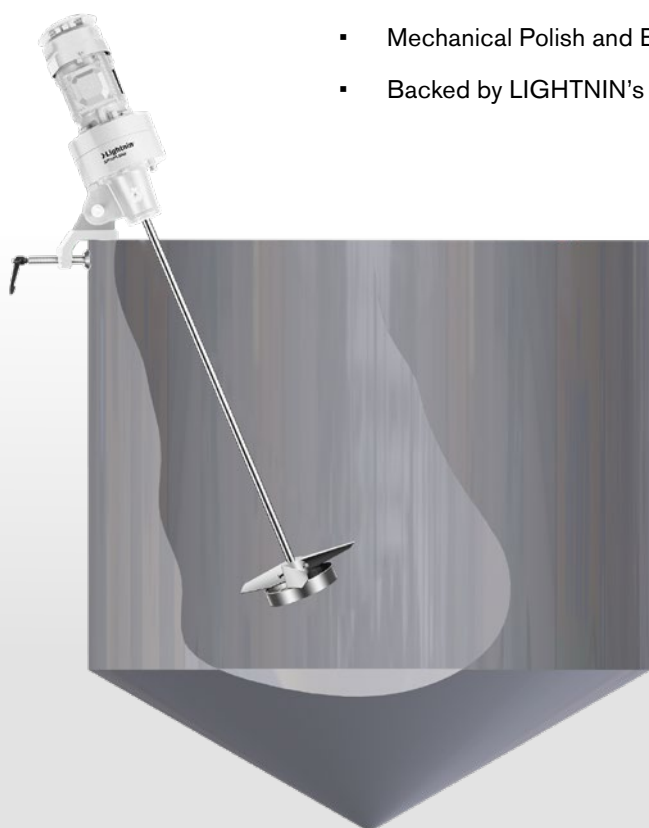


SPXFLOW®

QUALITY & RELIABILITY FROM THE WORLD LEADER IN FLUID MIXING



- 1/4, 1/3, 1/2 and 3/4-HP models available, motor rating 0.25-0.75HP (0.25kW-0.75kW) Models are available.
- Switch, cord, and plug are available - no need for hard wiring on single-phase TEFC motors.
- Washdown and Stainless Motors are readily available.
- 280 RPM / 350 RPM (50Hz / 60Hz) Gear Drive units feature lower speeds and higher torque for mixing large batches of low-viscosity fluids or smaller batches of high-viscosity fluids
- Self-aligning, floating gears optimize load sharing and reduce wear
- 1425 RPM / 1780 RPM Direct Drive units are designed for small batch mixing plus high fluid shear applications
- Sealed-for-life lubrication offers low-maintenance operation, and food-grade lubrication is available.
- Oversized bearings provide superior shaft support.
- High efficiency, high flow A310 hydrofoil impeller as standard.
- Mechanical Polish and Electropolish are available.
- Backed by LIGHTNIN's 100% process guarantee.



UPGRADED SANITARY FEATURES:

- Food Grade Paint
- Seals with FDA Acceptable Materials and USP Class VI Elastomers
- IP56 Washdown Motors (Painted and Stainless Options Available)
- Food Grade Grease
- Quality Assurance Documentation
- Polish
- EP

EV SERIES MOUNTING OPTIONS



CLAMP / BEAM PLATE MODULE (P)

- Clamps to vessel or stand
- 0° to 90° vertical adjustment
- 20° / 0° standard horizontal mounting
- Adjustable mounting to control fluid flow patterns for better mixing



FIXED MOUNT (OPEN TANK) MODULE (Q)

- Vertical on center for baffled tanks
- Vertical offset / Angled offset for unbaffled tanks
- Rubber base mounts allow operation through the shaft's 1st natural frequency

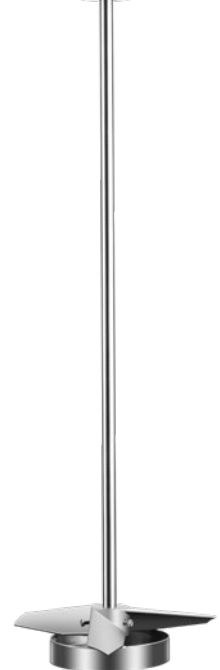
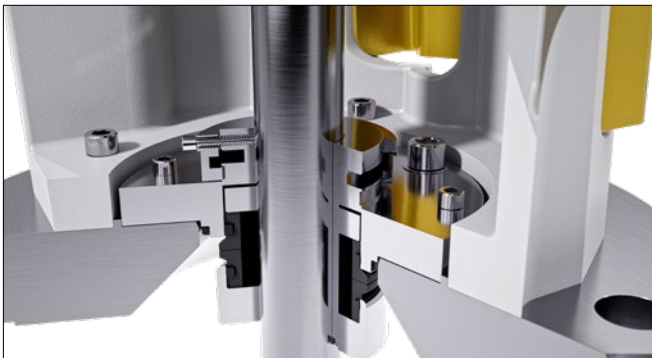


FLANGED MOUNT (CLOSED TANK) MODULE

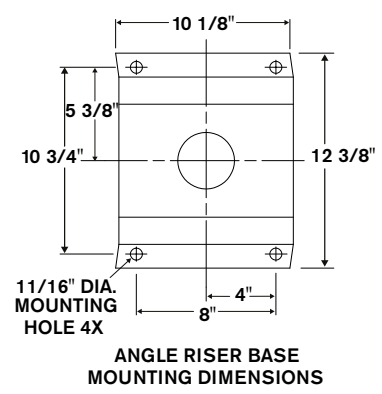
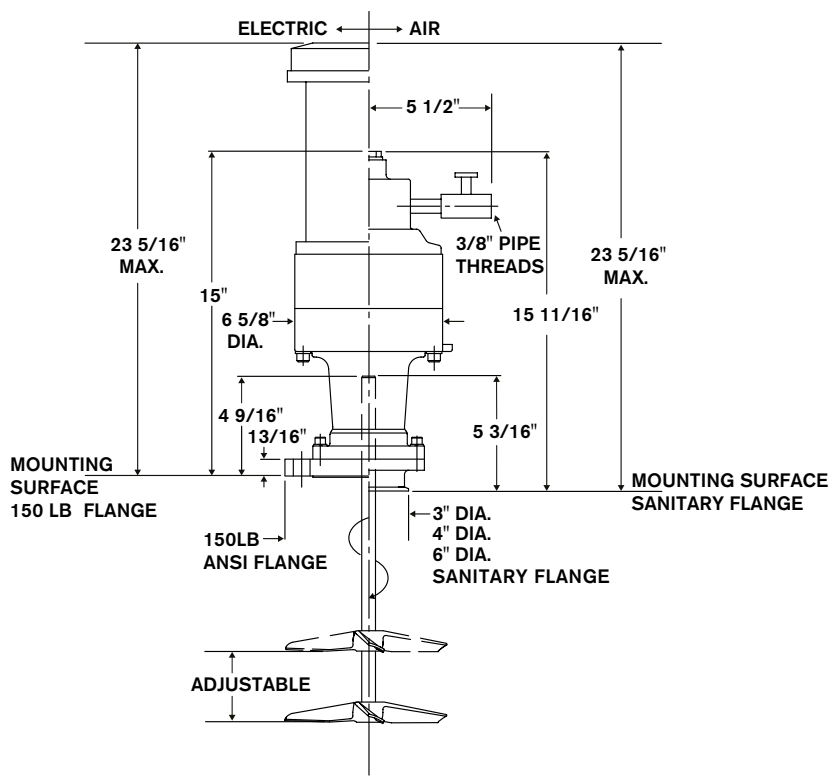
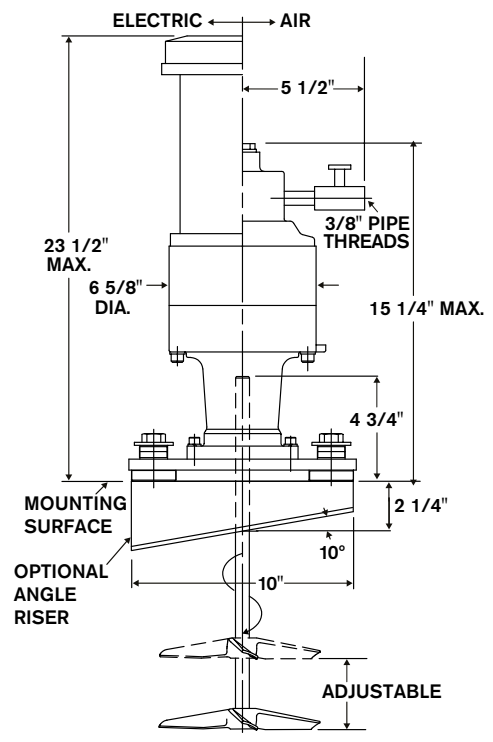
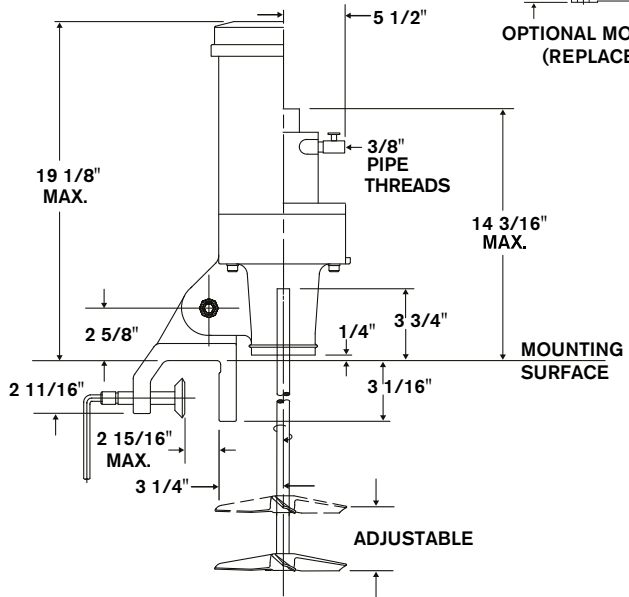
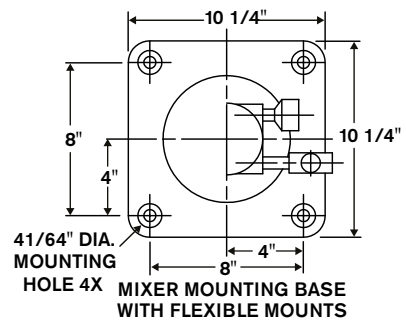
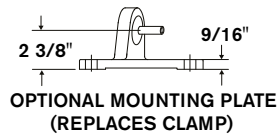
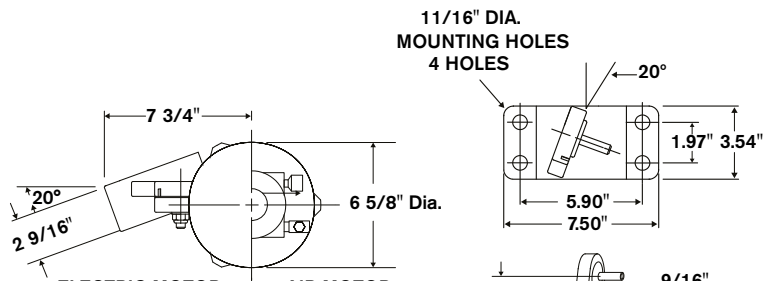
- Lip Seal Option (L)
- Flange-Mount with dust/lip seal.
- Mechanical Seal Option (S)
- Single mechanical seal rated for 87 PSIG
- Single Seal: Dry running with food-grade materials
- ANSI Flange or Tri-Clamp mounting options available



SANITARY ESH SEAL



SPECIFICATIONS



IMPELLER OPTIONS



A100
Marine Propeller



A310
High Efficiency Hydrofoil



A200
Pitch Blade Turbine

*A—Axial Flow (parallel to shaft)

Blending Table

VOLUME (GAL)	0-25	25.1-50	50.1-100	100.1-200	200.1-500	500.1-1000	1000.1-2000	2000.1-3000	3000.1-5000
Viscosity 0 - 1 cps				EV1_25 1 (1) 3.6 A100	EV1_33 3 (1) 3.8 A100	EV5_25 2 (1) 11.2 A310	EV5_25 5 (1) 11.2 A310	EV6_33 6 (2) 11.8 A310	EV6_50 8 (2) 12.8 A310
1.1 - 100 cps		EV1_25 1 (1) 3.6 A100	EV1_25 2 (1) 3.6 A100	EV1_25 3 (1) 3.6 A100	EV5_25 3 (1) 11.2 A310	EV5_25 7 (1) 11.2 A310	EV5_25 14 (1) 11.2 A310	EV6_50 16 (2) 12.8 A310	EV6_75 22 (2) 13.6 A310
100.1 - 250 cps		EV1_25 1 (1) 3.3 A100	EV1_33 2 (1) 3.8 A100	EV5_25 1 (1) 11.2 A310	EV5_25 4 (1) 11.2 A310	EV5_33 6 (1) 11.8 A310	EV6_50 11 (2) 12.8 A310	EV6_75 20 (2) 13.6 A310	
250.1 - 500 cps		EV1_25 2 (1) 3.3 A100	EV5_25 1 (1) 11.2 A310	EV5_25 2 (1) 11.2 A310	EV5_33 8 (1) 11.8 A310	EV5_50 7 (1) 12.8 A310	EV6_75 17 (2) 13.6 A310		
500.1 - 1000 cps	EV1_33 1 (1) 3.3 A100	EV5_25 1 (1) 10.0 A310	EV5_25 2 (1) 10.0 A310	EV6_33 3 (2) 11.2 A310	EV6_50 6 (2) 12.8 A310	EV6_75 10 (1) 13.6 A310			
1000.1 - 2500 cps	EV6_25 2 (1) 8.9 A100	EV6_25 3 (1) 8.9 A100	EV6_50 3 (1) 10.0 A100	EV6_75 6 (2) 10.5 A100					
2500.1 - 5000 cps	EV6_25 3 (1) 7.7 A100	EV6_50 3 (1) 10.0 A100	EV6_75 5 (2) 10.5 A100						
5000.1 - 15000 cps	EV6_50 4 (2) 6.9 A100	EV6_75 8 (2) 7.7 A100							

- Tank height to diameter ratio between 0.8 - 1.2
- Liquids with Newtonian viscosity characteristics
- S.G. difference of liquids < 0.1
- Use for mild blending applications
- Maximum density 1.10 g/cm³
- Maximum viscosity ratio - 10:1 (>250cP)
- Mixer in operation during filling and emptying

TYPICAL APPLICATIONS



Mining & Minerals



Food & Beverages



Water & Waste Water



Pharmaceutical



Chemical

SPXFLOW[®]

SPX FLOW, Inc. reserves the right to incorporate our latest design and material changes without notice or obligation. Design features, materials of construction and dimensional data, as described in this bulletin, are provided for your information only and should not be relied upon unless confirmed in writing. Please contact your local sales representative for product availability in your region. The green ">" is a trademark of SPX FLOW, Inc.

For more information, visit www.spxflow.com.

135 Mt. Read Blvd.

Rochester, NY 14611

P: +1 (888) 649-2378 (MIX-BEST) (US and Canada) or +1 (585) 436-5550

E: lightnin@spxflow.com | www.spxflow.com/lightnin