

HEAVY LIFT CYLINDERS

RGG and RDG Series

Single and double acting, high pressure cylinders



HIGH TONNAGE CYLINDERS

ENGINEERED FOR TOUGH APPLICATIONS

SPX FLOW™ brand Power Team™ specializes in high-pressure hydraulic technology. Through a broad range of leading-edge component parts, accessories and tools, Power Team enables the creation and upkeep of concentrated force delivery solutions that can meet any application criteria.

RGG Series is perfect for any bridge construction application.



Power Team's new range of cylinders has been designed for safety and reliability by incorporating the following design elements.

Overview

- **The patented self-aligning piston gland** design minimizes the effects of offset load conditions..
- **The patented deep swivel cap** provides concentrated load centering up to 5°
- **The Power-Tech nitrocarburization treatment** inhibits corrosion and provides durability in harsh applications
- **The robust retaining ring** provides full load end stop.

Safety. Durability. Power Team.

A CLOSER LOOK AT THE TECHNOLOGY

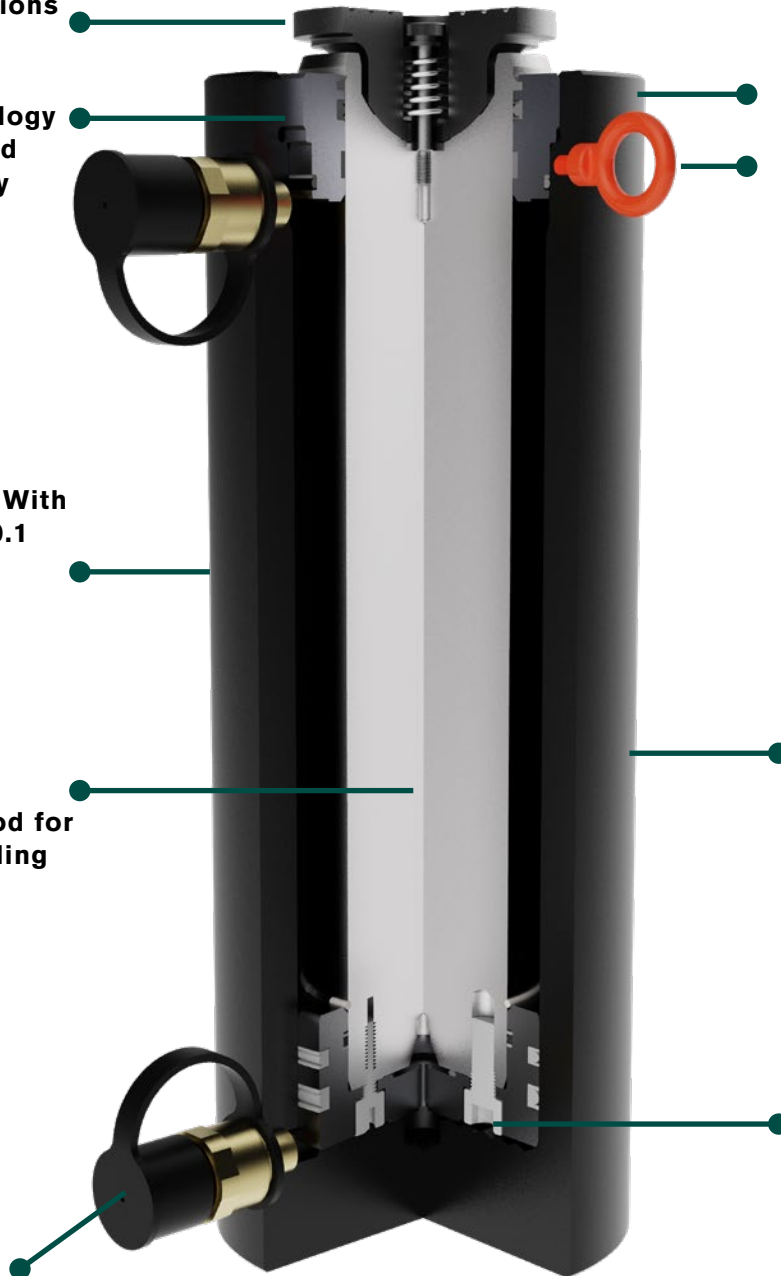
**Swivel Cap Minimizes
Side Load Contidions**

**Sealband Technology
Reduces Wear and
Provides Lubricity**

**Design Complies With
AMSE/ ANSI B30.1
Safety Standard**

**Heavy Duty, Heat
Treated Piston Rod for
the Most Demanding
Applications**

**High Pressure 3/8"
NPTF Coupler**



**Robust Retaining
Ring Withstands Full
Load End Stop**

**Threaded Eyelets
for 50-181Tonne
(Carry Straps
Provided for 227-544
Tonne Cylinders)**

**Power-Tech Surface
Treatment Provides
Extended Durability**

**Self Aligning Piston
Gland Design Resists
Side Loading**

RGG SERIES

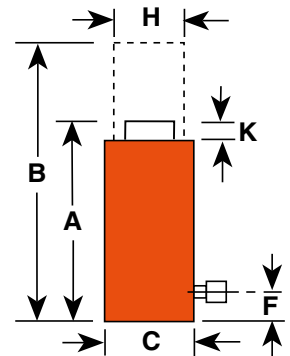
Model shown: RGG552



Single Acting, load return cylinders Tonne Range: 50–181

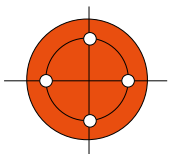
- **Patented swivel cap** provides concentrated load centering up to 5 degrees
- **Sealing technology** provides rod lubrication to reduce friction and wear
- **Optimized piston gland design** resists side loading conditions
- **Robust retaining ring** withstands full load end stop and conforms with ANSI B30.1 standards
- **Power-Tech nitrocarburization surface treatment** inhibits corrosion and provides exceptional durability

NOTICE: When selecting a hydraulic cylinder(s) capacity and stroke, Power Team recommends that you size to 80% of the maximum rated capacity and stroke for the application — known as the “80% Rule”. This will ensure additional safety factor and extend the product performance over time.



Technical dimensions

TONNAGE	50	68	91	136	181
# OF BASE MOUNTING HOLES	4	4	4	4	4
BASE THREAD SIZE	M12X1.75 – 6H	M12X1.75 – 6H	M16X1.5 – 6H	M16X1.5 – 6H	M20X1.5 – 6H
BASE THREAD DEPTH (MM)	18.0	18.0	15.7	22.9	30.5
BASE MOUNTING DIAMETER (IN.)	77.0	93.0	101.6	130.0	145.3
ORIENTATION	Mounting hole orientation is not maintained to port location.				



Four base mounting holes are 45° apart, standard on all models.

Ordering information: RGG Series 50-181 Tonne

Tonnage	Stroke	Order No.	A	B	C	F	H	K	Swivel Cap Dia.	Bore Dia.	Cyl. Eff. Area (Adv.)	Oil Cap.	Internal Press at Cap.	Weight w/o Oil
			Ret. Height	Ext. Height	Out. Dia.	Base to Port	Piston Rod Dia.	Swivel Cap Protru-sion						
(tonne)	(mm)		(mm)	(mm)	(mm)	(mm)	(mm)	(mm)	(mm)	(mm)	(sq. cm)	(cu. cm)	(bar)	(kg)
50	50.8	RGG552	180.85	231.65	131.06	22.10	69.85	17.53	70.61	95.25	71.25	361.97	687	15.7
	101.6	RGG554	231.65	333.25	131.06	22.10	69.85	17.53	70.61	95.25	71.25	723.94	687	19.8
	152.4	RGG556	282.45	434.85	131.06	22.10	69.85	17.53	70.61	95.25	71.25	1085.91	687	23.8
	203.2	RGG558	333.25	536.45	131.06	22.10	69.85	17.53	70.61	95.25	71.25	1447.87	687	27.9
	254	RGG5510	384.05	638.05	131.06	22.10	69.85	17.53	70.61	95.25	71.25	1809.84	687	32.0
	304.8	RGG5512	434.85	739.65	131.06	22.10	69.85	17.53	70.61	95.25	71.25	2171.81	687	36.0
	330.2	RGG5513	460.25	790.45	131.06	22.10	69.85	17.53	70.61	95.25	71.25	2352.79	687	38.1
	355.6	RGG5514	485.65	841.25	131.06	22.10	69.85	17.53	70.61	95.25	71.25	2533.78	687	40.1
68	50.8	RGG752	188.98	239.78	146.81	22.86	79.38	19.30	82.30	111.13	96.98	492.68	688	20.4
	101.6	RGG754	239.78	341.38	146.81	22.86	79.38	19.30	82.30	111.13	96.98	985.36	688	25.3
	152.4	RGG756	290.58	442.98	146.81	22.86	79.38	19.30	82.30	111.13	96.98	1478.04	688	30.1
	203.2	RGG758	341.38	544.58	146.81	22.86	79.38	19.30	82.30	111.13	96.98	1970.72	688	35.0
	254	RGG7510	392.18	646.18	146.81	22.86	79.38	19.30	82.30	111.13	96.98	2463.40	688	39.9
	304.8	RGG7512	442.98	747.78	146.81	22.86	79.38	19.30	82.30	111.13	96.98	2956.08	688	44.7
	330.2	RGG7513	468.38	798.58	146.81	22.86	79.38	19.30	82.30	111.13	96.98	3202.41	688	47.2
	355.6	RGG7514	493.78	849.38	146.81	22.86	79.38	19.30	82.30	111.13	96.98	3448.75	688	49.6
91	50.8	RGG1002	197.87	248.67	165.86	23.88	95.25	23.37	98.30	130.18	133.09	676.08	668	26.9
	101.6	RGG1004	248.67	350.27	165.86	23.88	95.25	23.37	98.30	130.18	133.09	1352.15	668	33.0
	152.4	RGG1006	299.47	451.87	165.86	23.88	95.25	23.37	98.30	130.18	133.09	2028.23	668	39.1
	203.2	RGG1008	350.27	553.47	165.86	23.88	95.25	23.37	98.30	130.18	133.09	2704.31	668	45.3
	254	RGG10010	401.07	655.07	165.86	23.88	95.25	23.37	98.30	130.18	133.09	3380.38	668	51.4
	304.8	RGG10012	451.87	756.67	165.86	23.88	95.25	23.37	98.30	130.18	133.09	4056.46	668	57.5
	330.2	RGG10013	477.27	807.47	165.86	23.88	95.25	23.37	98.30	130.18	133.09	4394.50	668	60.6
	355.6	RGG10014	502.67	858.27	165.86	23.88	95.25	23.37	98.30	130.18	133.09	4732.54	668	63.6
136	50.8	RGG1502	214.63	265.43	196.85	31.24	114.30	23.11	117.60	158.75	197.93	1005.47	674	41.4
	101.6	RGG1504	265.43	367.03	196.85	31.24	114.30	23.11	117.60	158.75	197.93	2010.94	674	49.7
	152.4	RGG1506	316.23	468.63	196.85	31.24	114.30	23.11	117.60	158.75	197.93	3016.40	674	58.1
	203.2	RGG1508	367.03	570.23	196.85	31.24	114.30	23.11	117.60	158.75	197.93	4021.87	674	66.4
	254	RGG15010	417.83	671.83	196.85	31.24	114.30	23.11	117.60	158.75	197.93	5027.34	674	74.7
	304.8	RGG15012	468.63	773.43	196.85	31.24	114.30	23.11	117.60	158.75	197.93	6032.81	674	83.1
	330.2	RGG15013	494.03	824.23	196.85	31.24	114.30	23.11	117.60	158.75	197.93	6535.54	674	87.2
	355.6	RGG15014	519.43	875.03	196.85	31.24	114.30	23.11	117.60	158.75	197.93	7038.27	674	91.4
181	50.8	RGG2002	235.20	286.00	228.60	37.85	133.35	26.16	136.40	184.15	266.33	1352.96	668	61.7
	101.6	RGG2004	286.00	387.60	228.60	37.85	133.35	26.16	136.40	184.15	266.33	2705.91	668	73.0
	152.4	RGG2006	336.80	489.20	228.60	37.85	133.35	26.16	136.40	184.15	266.33	4058.87	668	84.3
	203.2	RGG2008	387.60	590.80	228.60	37.85	133.35	26.16	136.40	184.15	266.33	5411.83	668	95.7
	254	RGG20010	438.40	692.40	228.60	37.85	133.35	26.16	136.40	184.15	266.33	6764.79	668	107.0
	304.8	RGG20012	489.20	794.00	228.60	37.85	133.35	26.16	136.40	184.15	266.33	8117.74	668	118.3
	330.2	RGG20013	514.60	844.80	228.60	37.85	133.35	26.16	136.40	184.15	266.33	8794.22	668	123.9
	355.6	RGG20014	540.00	895.60	228.60	37.85	133.35	26.16	136.40	184.15	266.33	9470.70	668	129.5

RGG SERIES

Models shown: RGG2502, RGG5004

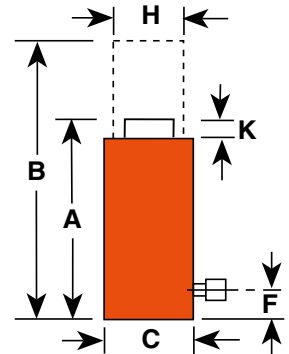


Single Acting, load return cylinders Tonne Range: 227–544

Intro text? Loremald sflakjdf alsd kfjalsfkja slkdfjalskf djla Intro text? Loremald sflakjdf alsd kfjalsfkja slkdfjalskf djla skdjfla ksdjf kasflkja alsfd aldkf asdlfkjaslfdkjasldfkj.

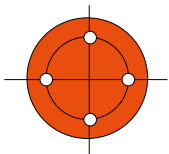
- **Patented swivel cap** provides concentrated load centering up to 5 degrees
- **Sealing technology** provides rod lubrication to reduce friction and wear
- **Optimized piston gland design** resists side loading conditions
- **Robust retaining ring** withstands full load end stop and conforms with ANSI B30.1 standards
- **Power-Tech nitrocarburization surface treatment** inhibits corrosion and provides exceptional durability

NOTICE: When selecting a hydraulic cylinder(s) capacity and stroke, Power Team recommends that you size to 80% of the maximum rated capacity and stroke for the application — known as the “80% Rule”. This will ensure additional safety factor and extend the product performance over time.



Technical dimensions

TONNAGE	227	272	363	454	544
# OF BASE MOUNTING HOLES	4	4	4	4	4
BASE THREAD SIZE	M24X3.0 – 6H	M24X3.0 – 6H	M30X3.5 – 6H	M30X3.5 – 6H	M33X2.0 – 6H
BASE THREAD DEPTH (MM)	37.0	37.0	45.7	38.1	49.5
BASE MOUNTING DIAMETER (MM.)	153.9	179.3	194.3	227.3	245.1
ORIENTATION	Mounting hole orientation is not maintained to port location.				



Four base mounting holes are 45° apart, standard on all models.

Ordering information: RGG Series 227-544 tonne

Tonne	Stroke	Order No.	A	B	C	F	H	K	Swivel Cap Dia.	Bore Dia.	Cyl. Eff. Area (Adv.)	Oil Cap.	Internal Press at Cap.	Weight w/o Oil
			Ret. Height	Ext. Height	Out. Dia.	Base to Port	Piston Rod Dia.	Swivel Cap Protrusion						
(tonne)	(mm)		(mm)	(mm)	(mm)	(mm)	(mm)	(mm)	(mm)	(mm)	(sq. cm)	(cu. cm)	(bar)	(kg)
227	50.8	RGG2502	261.62	312.42	256.54	59.69	152.40	28.45	141.22	203.20	324.28	1,647.36	686	91.8
	101.6	RGG2504	312.42	414.02	256.54	59.69	152.40	28.45	141.22	203.20	324.28	3,294.72	686	106.8
	152.4	RGG2506	363.22	515.62	256.54	59.69	152.40	28.45	141.22	203.20	324.28	4,942.08	686	121.7
	203.2	RGG2508	414.02	617.22	256.54	59.69	152.40	28.45	141.22	203.20	324.28	6,589.43	686	136.7
	254	RGG25010	464.82	718.82	256.54	59.69	152.40	28.45	141.22	203.20	324.28	8,236.79	686	151.6
	304.8	RGG25012	515.62	820.42	256.54	59.69	152.40	28.45	141.22	203.20	324.28	9,884.15	686	166.6
	330.2	RGG25013	541.02	871.22	256.54	59.69	152.40	28.45	141.22	203.20	324.28	10,707.83	686	174.0
	355.6	RGG25014	566.42	922.02	256.54	59.69	152.40	28.45	141.22	203.20	324.28	11,531.51	686	181.5
272	50.8	RGG3002	272.80	323.60	289.56	62.99	165.10	32.51	169.16	228.60	410.42	2,084.94	650	120.9
	101.6	RGG3004	323.60	425.20	289.56	62.99	165.10	32.51	169.16	228.60	410.42	4,169.88	650	139.3
	152.4	RGG3006	374.40	526.80	289.56	62.99	165.10	32.51	169.16	228.60	410.42	6,254.81	650	157.7
	203.2	RGG3008	425.20	628.40	289.56	62.99	165.10	32.51	169.16	228.60	410.42	8,339.75	650	176.1
	254	RGG30010	476.00	730.00	289.56	62.99	165.10	32.51	169.16	228.60	410.42	10,424.69	650	194.5
	304.8	RGG30012	526.80	831.60	289.56	62.99	165.10	32.51	169.16	228.60	410.42	12,509.63	650	213.0
	330.2	RGG30013	552.20	882.40	289.56	62.99	165.10	32.51	169.16	228.60	410.42	13,552.10	650	222.2
	355.6	RGG30014	577.60	933.20	289.56	62.99	165.10	32.51	169.16	228.60	410.42	14,594.57	650	231.4
363	50.8	RGG4002	306.32	357.12	337.82	70.36	190.50	36.58	197.36	266.73	558.73	2,838.37	637	187.7
	101.6	RGG4004	357.12	458.72	337.82	70.36	190.50	36.58	197.36	266.73	558.73	5,676.75	637	212.5
	152.4	RGG4006	407.92	560.32	337.82	70.36	190.50	36.58	197.36	266.73	558.73	8,515.12	637	237.3
	203.2	RGG4008	458.72	661.92	337.82	70.36	190.50	36.58	197.36	266.73	558.73	11,353.49	637	262.1
	254	RGG40010	509.52	763.52	337.82	70.36	190.50	36.58	197.36	266.73	558.73	14,191.86	637	286.9
	304.8	RGG40012	560.32	865.12	337.82	70.36	190.50	36.58	197.36	266.73	558.73	17,030.24	637	311.8
	330.2	RGG40013	585.72	915.92	337.82	70.36	190.50	36.58	197.36	266.73	558.73	18,449.42	637	324.1
	355.6	RGG40014	611.12	966.72	337.82	70.36	190.50	36.58	197.36	266.73	558.73	19,868.61	637	336.6
454	50.8	RGG5002	311.91	362.71	374.65	73.66	203.20	39.37	216.15	292.10	670.10	3,404.11	664	232.6
	101.6	RGG5004	362.71	464.31	374.65	73.66	203.20	39.37	216.15	292.10	670.10	6,808.22	664	262.7
	152.4	RGG5006	413.51	565.91	374.65	73.66	203.20	39.37	216.15	292.10	670.10	10,212.33	664	292.9
	203.2	RGG5008	464.31	667.51	374.65	73.66	203.20	39.37	216.15	292.10	670.10	13,616.45	664	323.0
	254	RGG50010	515.11	769.11	374.65	73.66	203.20	39.37	216.15	292.10	670.10	17,020.56	664	353.2
	304.8	RGG50012	565.91	870.71	374.65	73.66	203.20	39.37	216.15	292.10	670.10	20,424.67	664	383.3
	330.2	RGG50013	591.31	921.51	374.65	73.66	203.20	39.37	216.15	292.10	670.10	22,126.73	664	398.4
	355.6	RGG50014	616.71	972.31	374.65	73.66	203.20	39.37	216.15	292.10	670.10	23,828.78	664	413.5
544	50.8	RGG6002	323.85	374.65	406.40	76.71	228.60	41.15	234.95	317.50	791.71	4,021.87	674	276.4
	101.6	RGG6004	374.65	476.25	406.40	76.71	228.60	41.15	234.95	317.50	791.71	8,043.74	674	312.8
	152.4	RGG6006	425.45	577.85	406.40	76.71	228.60	41.15	234.95	317.50	791.71	12,065.61	674	349.4
	203.2	RGG6008	476.25	679.45	406.40	76.71	228.60	41.15	234.95	317.50	791.71	16,087.48	674	385.9
	254	RGG60010	527.05	781.05	406.40	76.71	228.60	41.15	234.95	317.50	791.71	20,109.36	674	422.4
	304.8	RGG60012	577.85	882.65	406.40	76.71	228.60	41.15	234.95	317.50	791.71	24,131.23	674	458.9
	330.2	RGG60013	603.25	933.45	406.40	76.71	228.60	41.15	234.95	317.50	791.71	26,142.16	674	477.1
	355.6	RGG60014	628.65	984.25	406.40	76.71	228.60	41.15	234.95	317.50	791.71	28,153.10	674	495.4

RDG SERIES

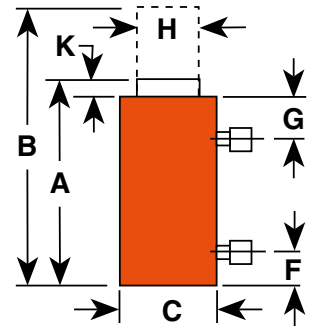
Model shown: RDG556



Double Acting, Hydraulic Return Tonne Range: 50–181

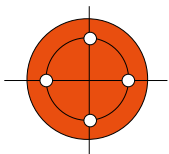
- **Patented swivel cap** provides concentrated load centering up to 5 degrees
- **Sealing technology** provides rod lubrication to reduce friction and wear
- **Optimized piston gland design** resists side loading conditions
- **Robust retaining ring** withstands full load end stop and conforms with ANSI B30.1 standards
- **Power-Tech nitrocarburization surface treatment** inhibits corrosion and provides exceptional durability
- **Safety relief valve** prevents over-pressurization of the retract circuit

NOTICE: When selecting a hydraulic cylinder(s) capacity and stroke, Power Team recommends that you size to 80% of the maximum rated capacity and stroke for the application — known as the “80% Rule”. This will ensure additional safety factor and extend the product performance over time.



Technical dimensions

TONNAGE	50	68	91	136	181
# OF BASE MOUNTING HOLES	4	4	4	4	4
BASE THREAD SIZE	M12X1.75 – 6H	M12X1.75 – 6H	M16X1.5 – 6H	M16X1.5 – 6H	M20X1.5 – 6H
BASE THREAD DEPTH (IN)	18.0	18.0	15.7	22.9	30.5
BASE MOUNTING DIAMETER (IN.)	77.0	93.0	101.6	130.0	145.3
ORIENTATION	Mounting hole orientation is not maintained to port location.				



Four base mounting holes are 45° apart, standard on all models.

Ordering information: RDG Series 50-181 tonne

Tonne	Stroke	Order No.	A	B	C	F	G	H	K	Swivel Cap Dia.	Bore Dia.	Cyl. Eff. Area (Adv.)	Oil Cap. (Ext.)	Internal Press at Cap.	Weight w/o Oil
			Ret. Height	Ext. Height	Out. Dia.	Base to Port	Top to Port	Piston Rod Dia.	Swivel Cap Protru-sion						
(tonne)	(mm)		(mm)	(mm)	(mm)	(mm)	(mm)	(mm)	(mm)	(mm)	(mm)	(sq. cm)	(cu. cm)	(bar)	(kg)
50	50.8	RDG552	180.85	231.65	131.06	22.10	40.89	69.85	17.53	70.61	95.25	71.25	361.97	687	15.9
	101.6	RDG554	231.65	333.25	131.06	22.10	40.89	69.85	17.53	70.61	95.25	71.25	723.94	687	20.0
	152.4	RDG556	282.45	434.85	131.06	22.10	40.89	69.85	17.53	70.61	95.25	71.25	1085.91	687	24.0
	203.2	RDG558	333.25	536.45	131.06	22.10	40.89	69.85	17.53	70.61	95.25	71.25	1447.87	687	28.1
	254	RDG5510	384.05	638.05	131.06	22.10	40.89	69.85	17.53	70.61	95.25	71.25	1809.84	687	32.1
	304.8	RDG5512	434.85	739.65	131.06	22.10	40.89	69.85	17.53	70.61	95.25	71.25	2171.81	687	36.2
	330.2	RDG5513	460.25	790.45	131.06	22.10	40.89	69.85	17.53	70.61	95.25	71.25	2352.79	687	38.2
	355.6	RDG5514	485.65	841.25	131.06	22.10	40.89	69.85	17.53	70.61	95.25	71.25	2533.78	687	40.3
68	50.8	RDG752	188.98	239.78	146.81	22.86	44.70	79.38	19.30	82.30	111.13	96.98	492.68	688	20.6
	101.6	RDG754	239.78	341.38	146.81	22.86	44.70	79.38	19.30	82.30	111.13	96.98	985.36	688	25.4
	152.4	RDG756	290.58	442.98	146.81	22.86	44.70	79.38	19.30	82.30	111.13	96.98	1478.04	688	30.3
	203.2	RDG758	341.38	544.58	146.81	22.86	44.70	79.38	19.30	82.30	111.13	96.98	1970.72	688	35.2
	254	RDG7510	392.18	646.18	146.81	22.86	44.70	79.38	19.30	82.30	111.13	96.98	2463.40	688	40.1
	304.8	RDG7512	442.98	747.78	146.81	22.86	44.70	79.38	19.30	82.30	111.13	96.98	2956.08	688	44.9
	330.2	RDG7513	468.38	798.58	146.81	22.86	44.70	79.38	19.30	82.30	111.13	96.98	3202.41	688	47.3
	355.6	RDG7514	493.78	849.38	146.81	22.86	44.70	79.38	19.30	82.30	111.13	96.98	3448.75	688	49.8
91	50.8	RDG1002	197.87	248.67	165.86	23.88	46.99	95.25	23.37	98.30	130.18	133.09	676.08	668	26.9
	101.6	RDG1004	248.67	350.27	165.86	23.88	46.99	95.25	23.37	98.30	130.18	133.09	1352.15	668	33.1
	152.4	RDG1006	299.47	451.87	165.86	23.88	46.99	95.25	23.37	98.30	130.18	133.09	2028.23	668	39.2
	203.2	RDG1008	350.27	553.47	165.86	23.88	46.99	95.25	23.37	98.30	130.18	133.09	2704.31	668	45.3
	254	RDG10010	401.07	655.07	165.86	23.88	46.99	95.25	23.37	98.30	130.18	133.09	3380.38	668	51.4
	304.8	RDG10012	451.87	756.67	165.86	23.88	46.99	95.25	23.37	98.30	130.18	133.09	4056.46	668	57.6
	330.2	RDG10013	477.27	807.47	165.86	23.88	46.99	95.25	23.37	98.30	130.18	133.09	4394.50	668	60.6
	355.6	RDG10014	502.67	858.27	165.86	23.88	46.99	95.25	23.37	98.30	130.18	133.09	4732.54	668	63.7
136	50.8	RDG1502	214.63	265.43	196.85	31.24	53.59	114.30	23.11	117.60	158.75	197.93	1005.47	674	41.5
	101.6	RDG1504	265.43	367.03	196.85	31.24	53.59	114.30	23.11	117.60	158.75	197.93	2010.94	674	49.8
	152.4	RDG1506	316.23	468.63	196.85	31.24	53.59	114.30	23.11	117.60	158.75	197.93	3016.40	674	58.1
	203.2	RDG1508	367.03	570.23	196.85	31.24	53.59	114.30	23.11	117.60	158.75	197.93	4021.87	674	66.5
	254	RDG15010	417.83	671.83	196.85	31.24	53.59	114.30	23.11	117.60	158.75	197.93	5027.34	674	74.8
	304.8	RDG15012	468.63	773.43	196.85	31.24	53.59	114.30	23.11	117.60	158.75	197.93	6032.81	674	83.1
	330.2	RDG15013	494.03	824.23	196.85	31.24	53.59	114.30	23.11	117.60	158.75	197.93	6535.54	674	87.3
	355.6	RDG15014	519.43	875.03	196.85	31.24	53.59	114.30	23.11	117.60	158.75	197.93	7038.27	674	91.4
181	50.8	RDG2002	235.20	286.00	228.60	37.85	57.15	133.35	26.16	136.40	184.15	266.33	1352.96	668	61.8
	101.6	RDG2004	286.00	387.60	228.60	37.85	57.15	133.35	26.16	136.40	184.15	266.33	2705.91	668	73.1
	152.4	RDG2006	336.80	489.20	228.60	37.85	57.15	133.35	26.16	136.40	184.15	266.33	4058.87	668	84.4
	203.2	RDG2008	387.60	590.80	228.60	37.85	57.15	133.35	26.16	136.40	184.15	266.33	5411.83	668	95.7
	254	RDG20010	438.40	692.40	228.60	37.85	57.15	133.35	26.16	136.40	184.15	266.33	6764.79	668	107.0
	304.8	RDG20012	489.20	794.00	228.60	37.85	57.15	133.35	26.16	136.40	184.15	266.33	8117.74	668	118.3
	330.2	RDG20013	514.60	844.80	228.60	37.85	57.15	133.35	26.16	136.40	184.15	266.33	8794.22	668	124.0
	355.6	RDG20014	540.00	895.60	228.60	37.85	57.15	133.35	26.16	136.40	184.15	266.33	9470.70	668	129.6

RDG SERIES

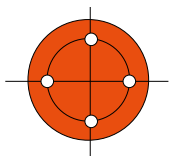
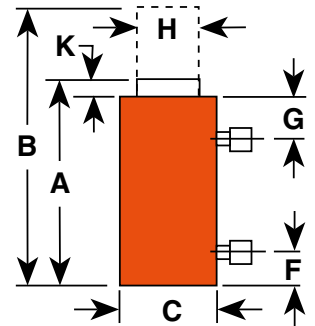
Models shown: RDG2502, RDG6004



Single Acting, load return cylinders Tonne Range: 227-544

- **Patented swivel cap** provides concentrated load centering up to 5 degrees
- **Sealing technology** provides rod lubrication to reduce friction and wear
- **Optimized piston gland design** resists side loading conditions
- **Robust retaining ring** withstands full load end stop and conforms with ANSI B30.1 standards
- **Power-Tech nitrocarburization surface treatment** inhibits corrosion and provides exceptional durability
- **Safety relief valve** prevents over-pressurization of the retract circuit

NOTICE: When selecting a hydraulic cylinder(s) capacity and stroke, Power Team recommends that you size to 80% of the maximum rated capacity and stroke for the application — known as the “80% Rule”. This will ensure additional safety factor and extend the product performance over time.



Four base mounting holes are 45° apart, standard on all models.

Technical dimensions

TONNAGE	227	272	363	454	544
# OF BASE MOUNTING HOLES	4	4	4	4	4
BASE THREAD SIZE	M24X3.0 – 6H	M24X3.0 – 6H	M30X3.5 – 6H	M30X3.5 – 6H	M33X2.0 – 6H
BASE THREAD DEPTH (IN)	37.0	37.0	45.7	38.1	49.5
BASE MOUNTING DIAMETER (IN.)	153.9	179.3	194.3	227.3	245.1
ORIENTATION	Mounting hole orientation is not maintained to port location.				

Ordering information: RDG Series 227-544 tonne

Tonne	Stroke	Order No.	A	B	C	F	G	H	K	Swivel Cap Dia.	Bore Dia.	Cyl. Eff. Area (Adv.)	Oil Cap. (Ext.)	Internal Press at Cap.	Weight w/o Oil
			Ret. Height	Ext. Height	Out. Dia.	Base to Port	Top to Port	Piston Rod Dia.	Swivel Cap Protru-sion						
(tonne)	(mm)		(mm)	(mm)	(mm)	(mm)	(mm)	(mm)	(mm)	(mm)	(mm)	(sq. cm)	(cu. cm)	(bar)	(kg)
227	50.8	RDG2502	261.62	312.42	256.54	59.69	59.69	152.40	28.45	141.22	203.20	324.28	1647.36	686	91.9
	101.6	RDG2504	312.42	414.02	256.54	59.69	59.69	152.40	28.45	141.22	203.20	324.28	3294.72	686	106.9
	152.4	RDG2506	363.22	515.62	256.54	59.69	59.69	152.40	28.45	141.22	203.20	324.28	4942.08	686	121.8
	203.2	RDG2508	414.02	617.22	256.54	59.69	59.69	152.40	28.45	141.22	203.20	324.28	6589.43	686	136.8
	254	RDG25010	464.82	718.82	256.54	59.69	59.69	152.40	28.45	141.22	203.20	324.28	8236.79	686	151.7
	304.8	RDG25012	515.62	820.42	256.54	59.69	59.69	152.40	28.45	141.22	203.20	324.28	9884.15	686	166.6
	330.2	RDG25013	541.02	871.22	256.54	59.69	59.69	152.40	28.45	141.22	203.20	324.28	10707.83	686	174.1
	355.6	RDG25014	566.42	922.02	256.54	59.69	59.69	152.40	28.45	141.22	203.20	324.28	11531.51	686	181.6
272	50.8	RDG3002	272.80	323.60	289.56	62.99	62.99	165.10	32.51	169.16	228.60	410.42	2084.94	650	121.0
	101.6	RDG3004	323.60	425.20	289.56	62.99	62.99	165.10	32.51	169.16	228.60	410.42	4169.88	650	139.4
	152.4	RDG3006	374.40	526.80	289.56	62.99	62.99	165.10	32.51	169.16	228.60	410.42	6254.81	650	157.8
	203.2	RDG3008	425.20	628.40	289.56	62.99	62.99	165.10	32.51	169.16	228.60	410.42	8339.75	650	176.2
	254	RDG30010	476.00	730.00	289.56	62.99	62.99	165.10	32.51	169.16	228.60	410.42	10424.69	650	194.6
	304.8	RDG30012	526.80	831.60	289.56	62.99	62.99	165.10	32.51	169.16	228.60	410.42	12509.63	650	213.1
	330.2	RDG30013	552.20	882.40	289.56	62.99	62.99	165.10	32.51	169.16	228.60	410.42	13552.10	650	222.3
	355.6	RDG30014	577.60	933.20	289.56	62.99	62.99	165.10	32.51	169.16	228.60	410.42	14594.57	650	231.5
363	50.8	RDG4002	306.32	357.12	337.82	70.36	70.36	190.50	36.58	197.36	266.73	558.73	2838.37	637	187.7
	101.6	RDG4004	357.12	458.72	337.82	70.36	70.36	190.50	36.58	197.36	266.73	558.73	5676.75	637	212.6
	152.4	RDG4006	407.92	560.32	337.82	70.36	70.36	190.50	36.58	197.36	266.73	558.73	8515.12	637	237.4
	203.2	RDG4008	458.72	661.92	337.82	70.36	70.36	190.50	36.58	197.36	266.73	558.73	11353.49	637	262.2
	254	RDG40010	509.52	763.52	337.82	70.36	70.36	190.50	36.58	197.36	266.73	558.73	14191.86	637	287.0
	304.8	RDG40012	560.32	865.12	337.82	70.36	70.36	190.50	36.58	197.36	266.73	558.73	17030.24	637	311.8
	330.2	RDG40013	585.72	915.92	337.82	70.36	70.36	190.50	36.58	197.36	266.73	558.73	18449.42	637	324.2
	355.6	RDG40014	611.12	966.72	337.82	70.36	70.36	190.50	36.58	197.36	266.73	558.73	19868.61	637	336.7
454	50.8	RDG5002	311.91	362.71	374.65	73.66	73.66	203.20	39.37	216.15	292.10	670.10	3404.11	664	232.6
	101.6	RDG5004	362.71	464.31	374.65	73.66	73.66	203.20	39.37	216.15	292.10	670.10	6808.22	664	262.8
	152.4	RDG5006	413.51	565.91	374.65	73.66	73.66	203.20	39.37	216.15	292.10	670.10	10212.33	664	293.0
	203.2	RDG5008	464.31	667.51	374.65	73.66	73.66	203.20	39.37	216.15	292.10	670.10	13616.45	664	323.1
	254	RDG50010	515.11	769.11	374.65	73.66	73.66	203.20	39.37	216.15	292.10	670.10	17020.56	664	353.3
	304.8	RDG50012	565.91	870.71	374.65	73.66	73.66	203.20	39.37	216.15	292.10	670.10	20424.67	664	383.4
	330.2	RDG50013	591.31	921.51	374.65	73.66	73.66	203.20	39.37	216.15	292.10	670.10	22126.73	664	398.5
	355.6	RDG50014	616.71	972.31	374.65	73.66	73.66	203.20	39.37	216.15	292.10	670.10	23828.78	664	413.6
544	50.8	RDG6002	323.85	374.65	406.40	76.71	76.71	228.60	41.15	234.95	317.50	791.71	4021.87	674	276.5
	101.6	RDG6004	374.65	476.25	406.40	76.71	76.71	228.60	41.15	234.95	317.50	791.71	8043.74	674	313.0
	152.4	RDG6006	425.45	577.85	406.40	76.71	76.71	228.60	41.15	234.95	317.50	791.71	12065.61	674	349.5
	203.2	RDG6008	476.25	679.45	406.40	76.71	76.71	228.60	41.15	234.95	317.50	791.71	16087.48	674	386.0
	254	RDG60010	527.05	781.05	406.40	76.71	76.71	228.60	41.15	234.95	317.50	791.71	20109.36	674	422.5
	304.8	RDG60012	577.85	882.65	406.40	76.71	76.71	228.60	41.15	234.95	317.50	791.71	24131.23	674	459.0
	330.2	RDG60013	603.25	933.45	406.40	76.71	76.71	228.60	41.15	234.95	317.50	791.71	26142.16	674	477.2
	355.6	RDG60014	628.65	984.25	406.40	76.71	76.71	228.60	41.15	234.95	317.50	791.71	28153.10	674	495.5

Custom stroke lengths are available, contact your local Power Team Sales Office for details and availability.



SPX FLOW, Inc. reserves the right to incorporate our latest design and material changes without notice or obligation. Design features, materials of construction and dimensional data, as described in this bulletin, are provided for your information only and should not be relied upon unless confirmed in writing. Please contact your local sales representative for product availability in your region. The green " >" is a trademark of SPX FLOW, Inc.

For more information, visit www.spxflow.com/powerteam

P: +31-45- 567-8877 ▪ E: infoeurope@powerteam.com | Albert Thijsstraat 12 ▪ 6471 WX Eygelshoven ▪ The Netherlands
PT_RGG_RDG_GB | VERSION 04/2022 | COPYRIGHT © 2022 SPX FLOW, Inc.