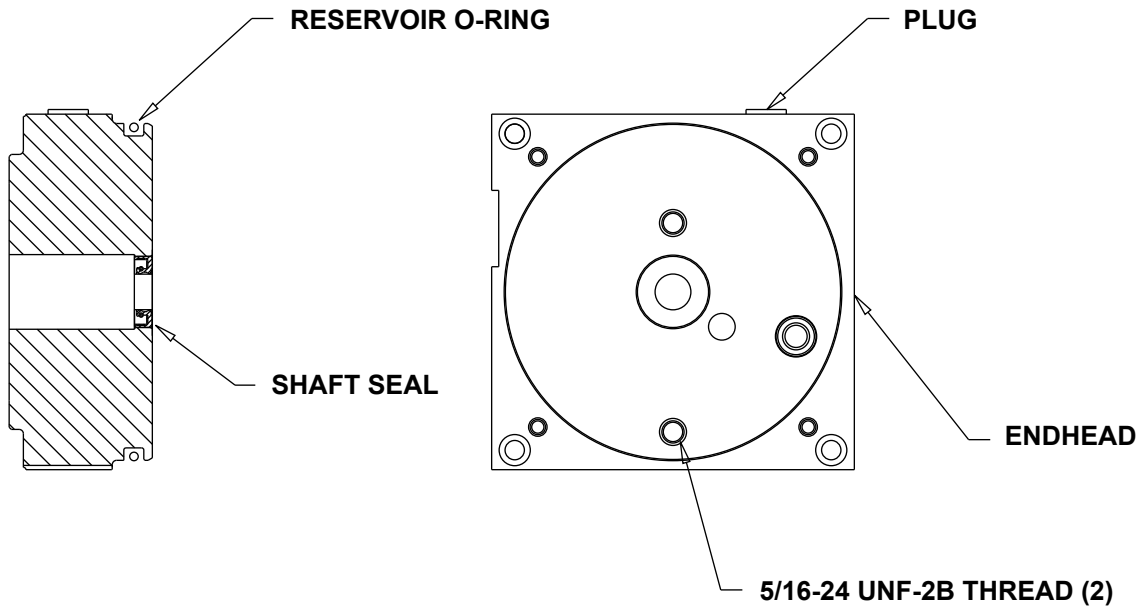


**INSTALLATION INSTRUCTIONS
FOR KN_ENDHEAD KIT**



BEFORE ASSEMBLY:

1. CONFIRM KIT CONTAINS THESE ITEMS:

QTY	DESCRIPTION
1	ENDHEAD
1	TANK O-RING
1	SHAFT SEAL
3	PLUGS

2. CHECK THAT RESERVOIR O-RING AND SHAFT SEAL ARE CORRECTLY SEATED IN THE ENDHEAD.

RECOMMENDED NEXT STEP:

1. MOUNT PUMP TO ENDHEAD.