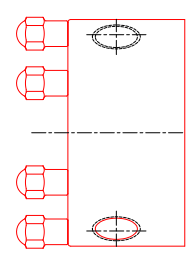
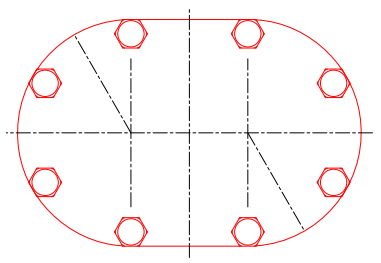
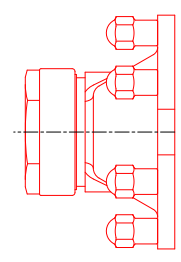
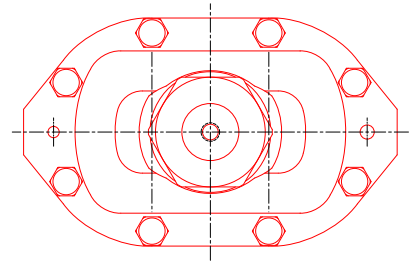


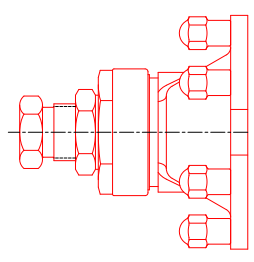
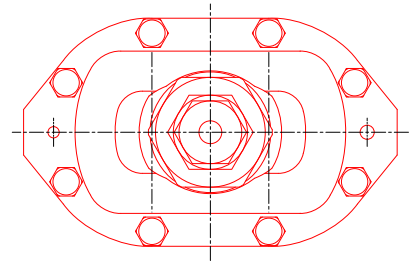
MODEL 014U2 RECTANGULAR FLANGE PUMP



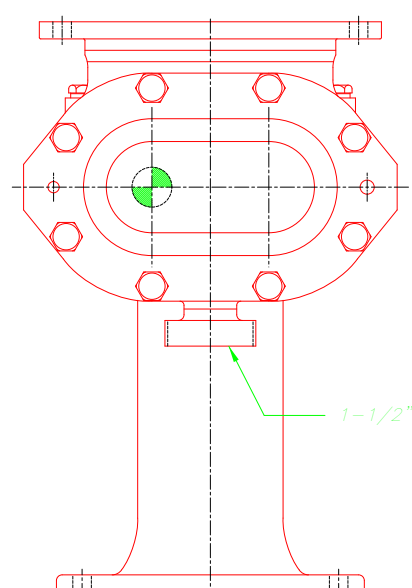
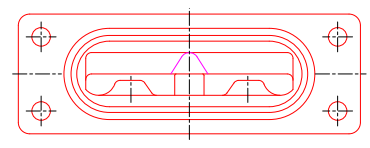
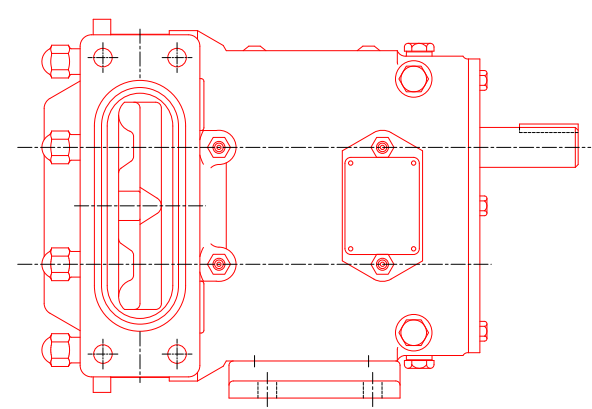
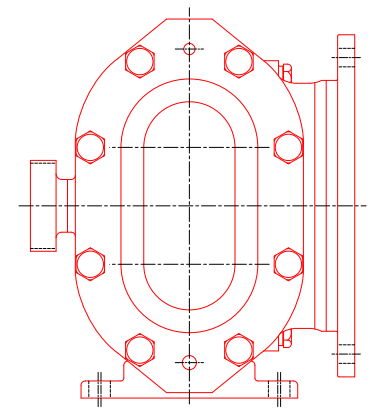
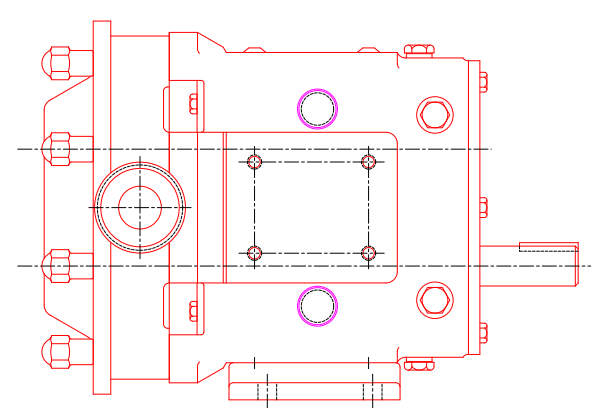
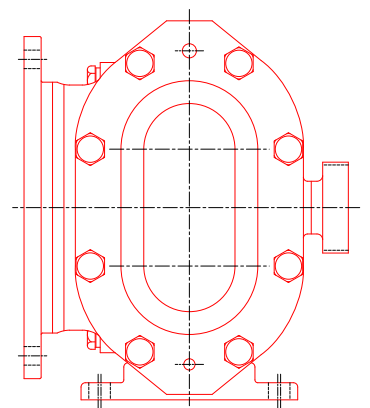
JACKETED COVER



PNEUMATIC VENTED COVER
DIAPHRAGM & PISTON



MANUAL VENTED COVER



1-1/2" IMDA

