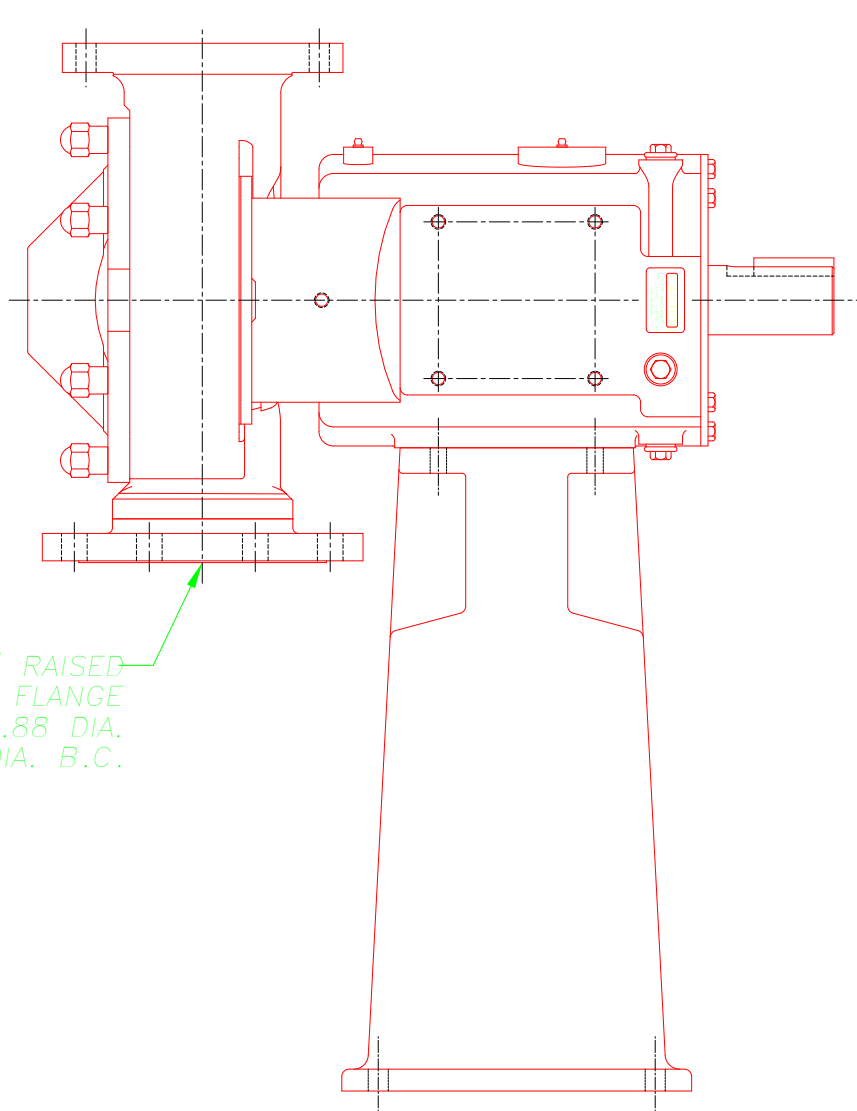
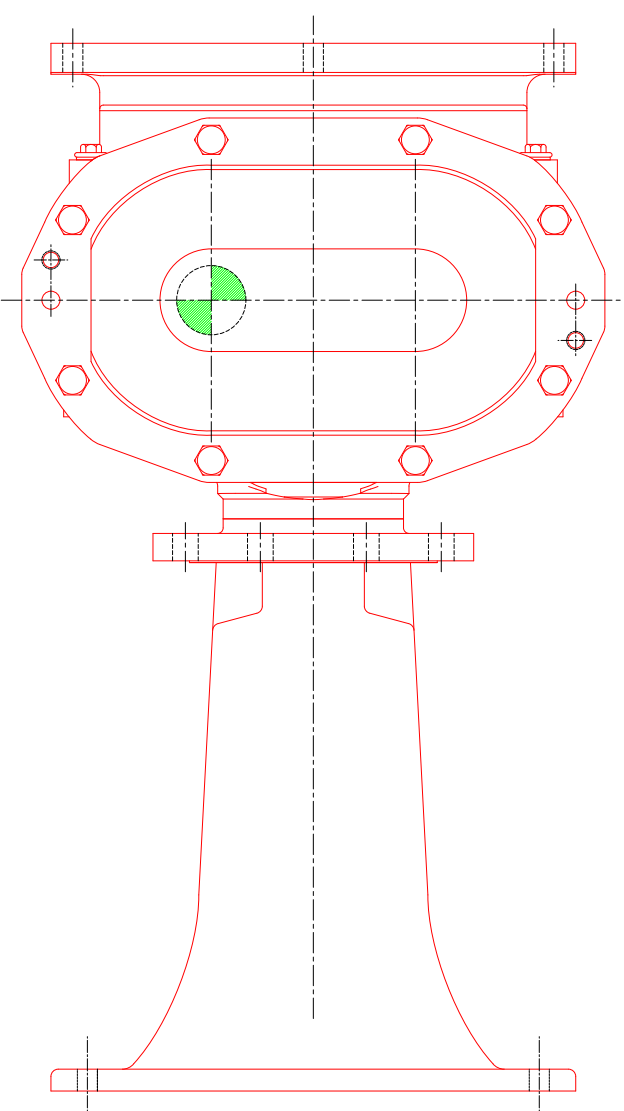
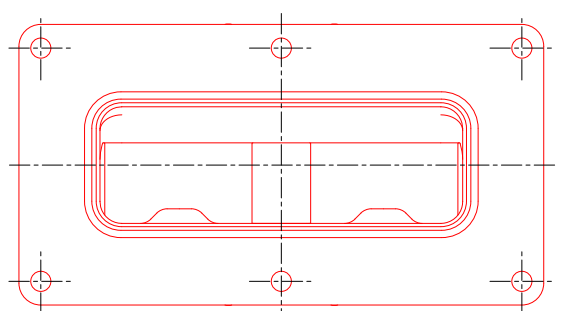
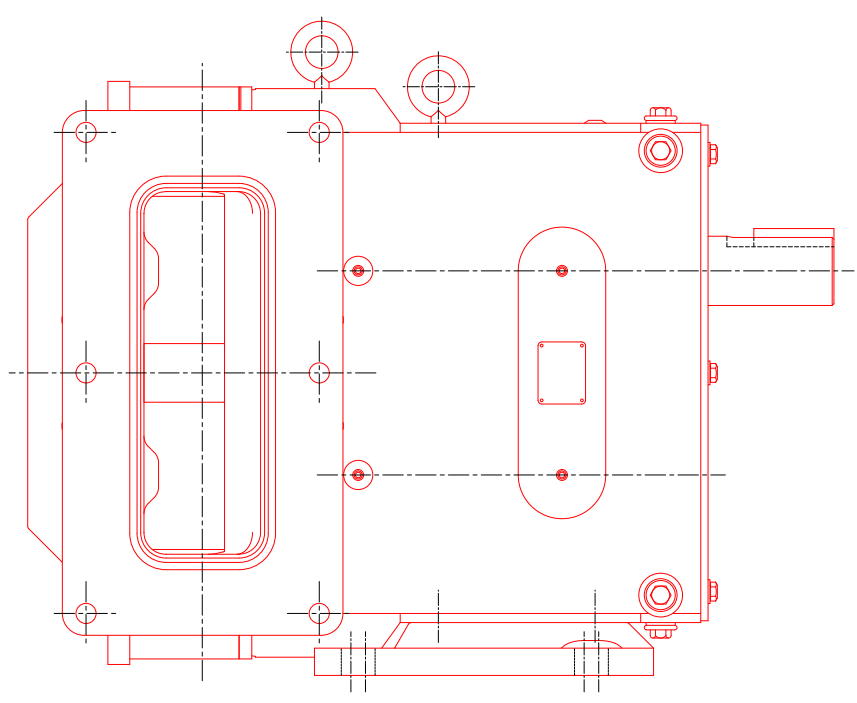
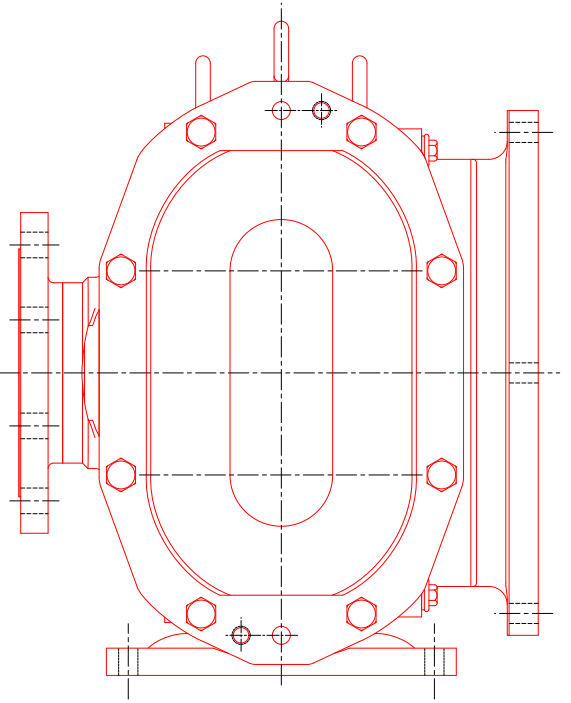
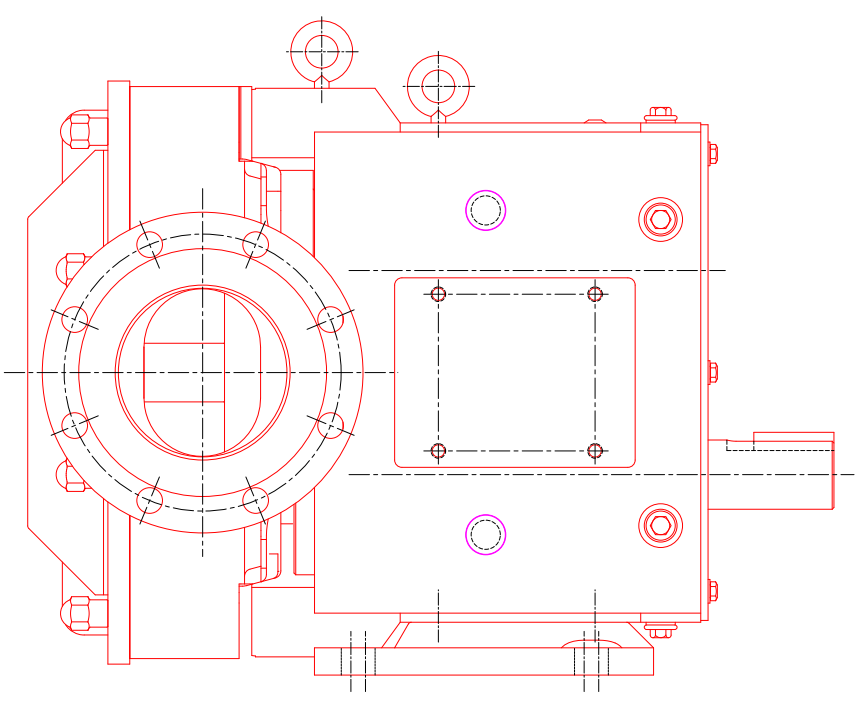
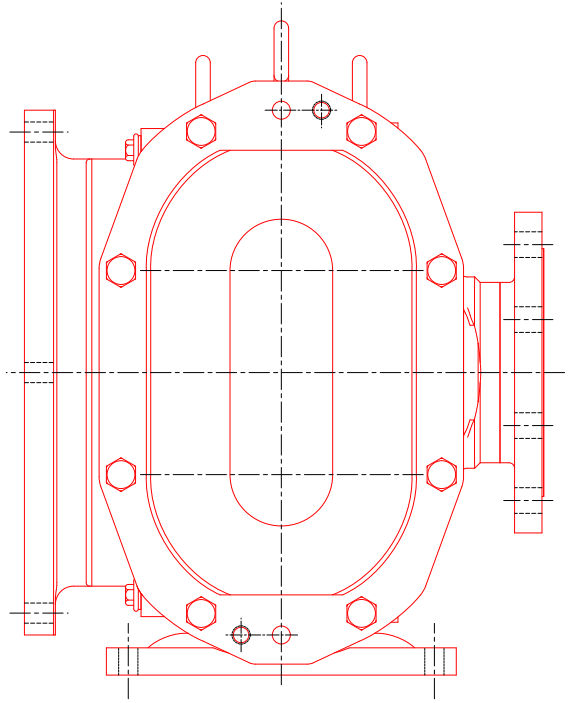


MODEL 324 UNIVERSAL II PUMP



6" 150# RAISED  
FACE FLANGE  
8 HOLES .88 DIA.  
ON A 9.50 DIA. B.C.