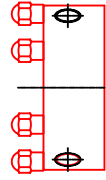
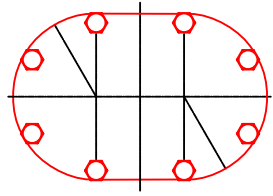
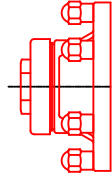
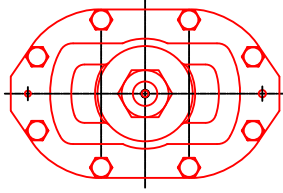


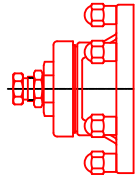
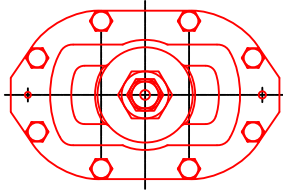
MODEL 064U2 RECTANGULAR FLANGE PUMP



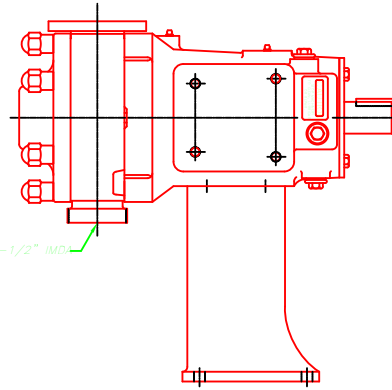
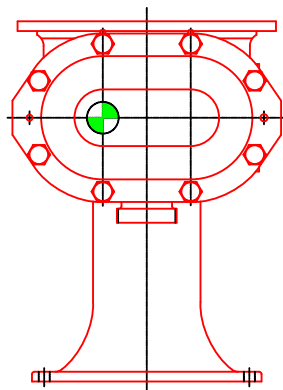
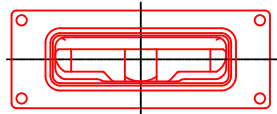
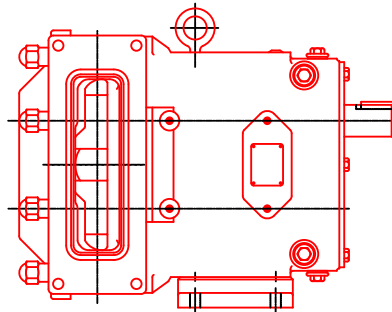
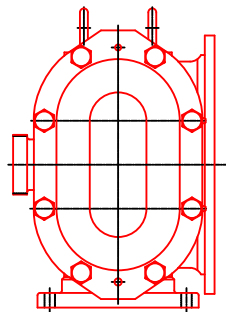
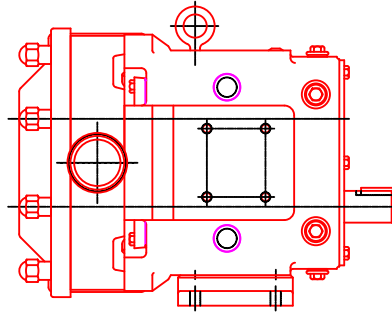
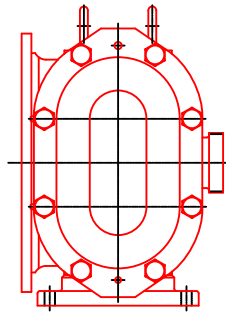
JACKETED COVER



PNEUMATIC VENTED COVER  
DIAPHRAGM & PISTON



MANUAL VENTED COVER



2-1/2" M.D.