

Starting Air Dryer

1. Connect the air dryer to the power supply
2. Switch S4 to turn ON (I) the air dryer.
3. Display AT1 will illuminate and starts to display process status, running hours, pressure and status internet connection
4. By opening (switch upwards) valves on the front side of the unit (V1 till V8) the corresponding connection on back side of the unit will deliver dry air.

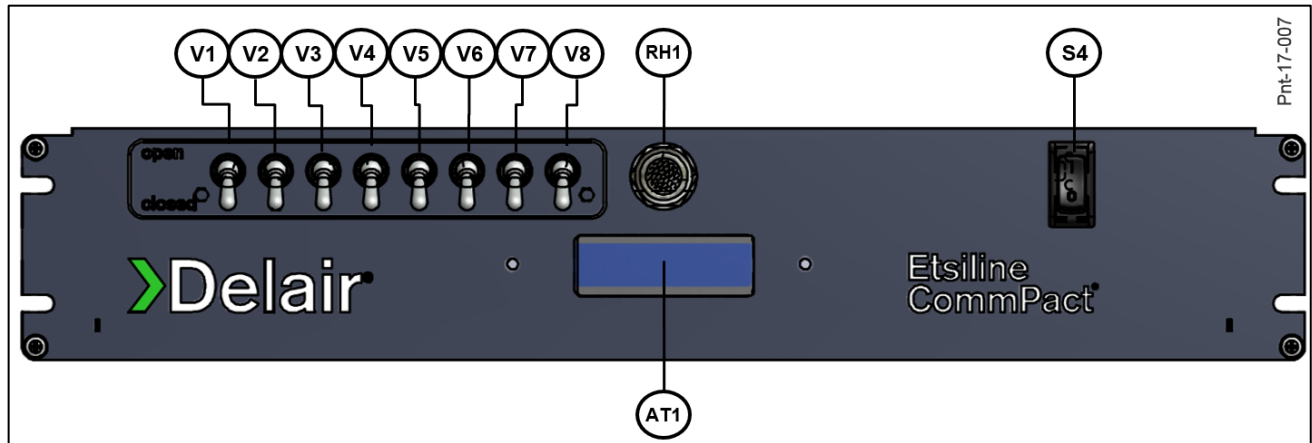


Figure 1; Front view with identification of controls

Stopping Air Dryer

1. Switch S4 to turn OFF (0) the air dryer.
2. Close the dry-air supply valves (V1...V8)
3. Disconnect dryer from power supply if necessary

Information about connections

All connections are positioned on the back side of the unit.

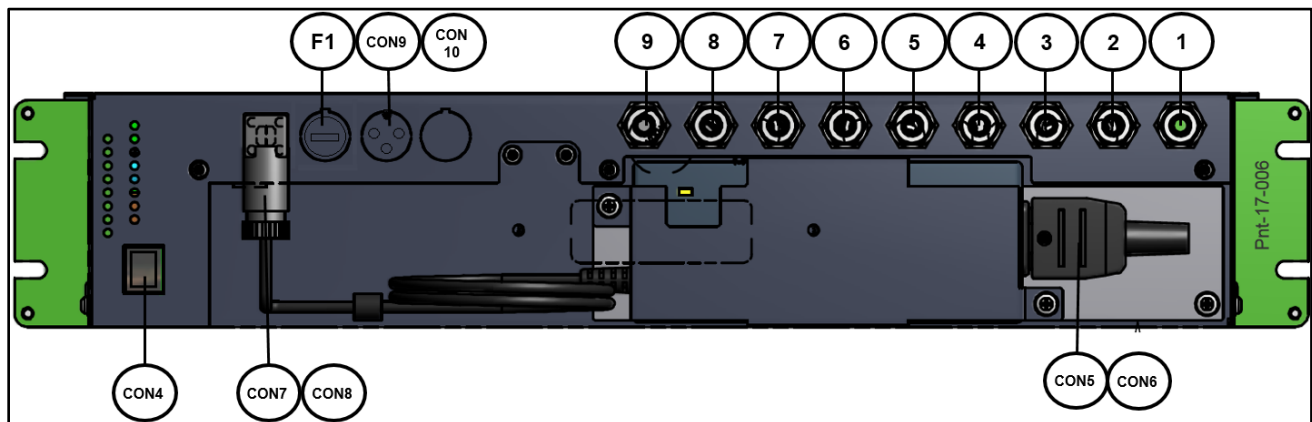


Figure 1.2; Back view with identification of connections (option with adaptor is shown here)

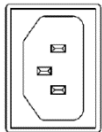
Electrical power supply standard :48Vdc

To be connected to male-connector **CON8**. Female socket (**CON7**) included in delivery. See below how connector needs to be wired;



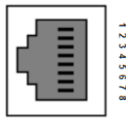
CON7 **48Vdc Supply connector**
CON8 Female socket CON7 included in delivery.
 3-pole connection suitable for 48Vdc.
 Pin 1: +, Pin 2: -, 3 earth

With option 0281544 (power adaptor) power supply is : 90-264Vac / 1ph / 50-60Hz



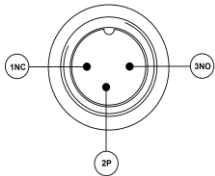
CON5 **Main voltage connector**
CON6 [Only applicable with option 0281544]
 Female socket CON6 included in delivery.
 3-pole (phase-neutral-earth) connection suitable for 90-264Vac/1/50-60Hz – 90W.

Through CON4 the installation is connected to Ethernet



CON4 **Ethernet connection**

Air dryer is equipped with an alarm connector CON9. See below positioning of contacts



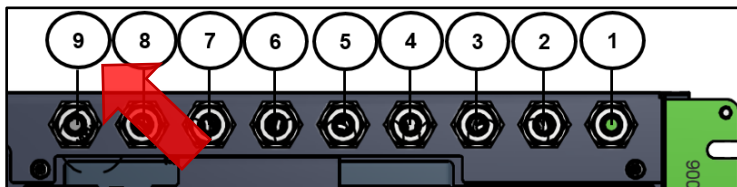
CON9 **Alarm connector**
CON10 Connector for external alarm. Potential free contact.

Dry air connections (outlet 1...8)



Outlet **Dry air outlet connection**
1...8 Hose connection to system. Connection number corresponds to OPEN-CLOSE valve on front of the unit. When corresponding valve is opened, dry air is delivered to the system. Suitable for flexible hoses with internal diameter **6mm** and outside diameter of **8mm**.

Connection 9 is the remote sensing connection. With this connection the pressure downstream the dryer can be measured and used for control.



Logging in through ethernet

After connecting the delair® Etsiline CommPact (connector CON4) to internet, it is possible to check the status of the dehydrator and change parameters like working pressure and alarms.

At start-up of the dehydrator you read on the display (line 2) the IP address of the unit. After you have filled in the IP address in your web browser (preferable Google Chrome), you need to fill in your Username and Password. The default username and password are:

Username : admin
Password : admin



Figure 6.3; Inlog screen

To be checked in case of failure

- Check system for leakages
- Check dryer settings (see manual ACMM16WC0002 Chapter 6 Parameter Settings or via webpage -> Installer -Factory settings)
- Check power supply
- Check fuse on back of the unit. To open fuse holder, twist holder counter clockwise.



F1

Fuse

Fuse holder for 2A-fuse-slow (20 mm) which protects the heater elements. Twist to open.

NOTE : **Detailed information can be found in manual ACMM16WC0002 as stored on the USB-stick which is included in the delivery of the air dryer.**