

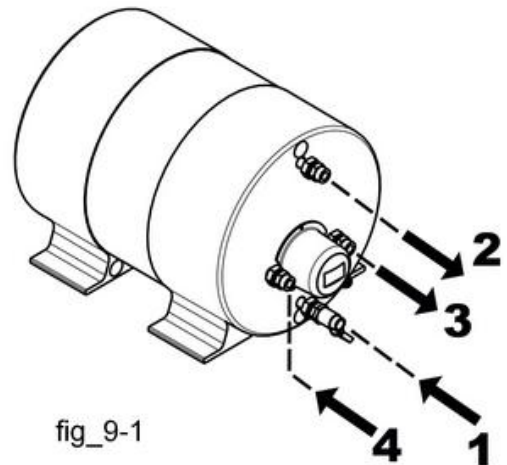
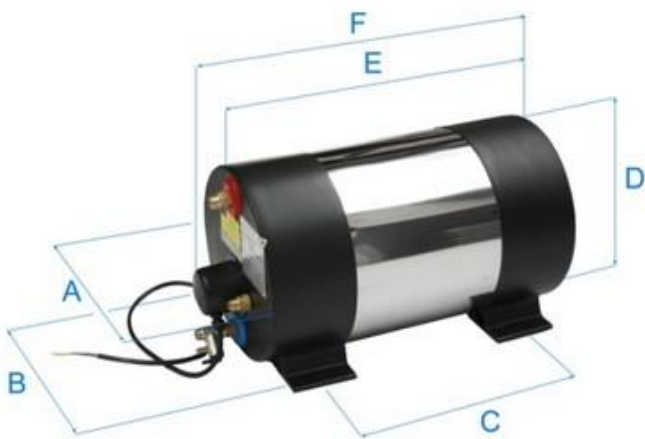
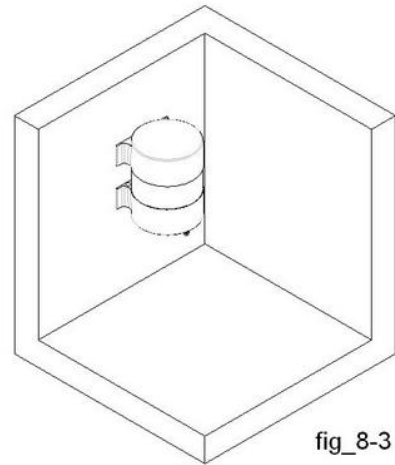
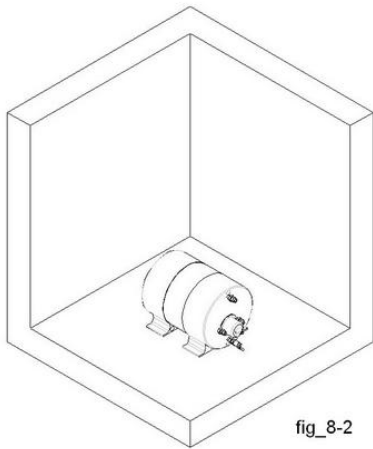
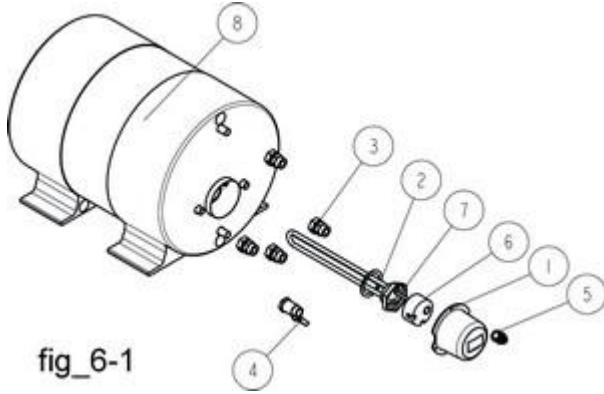
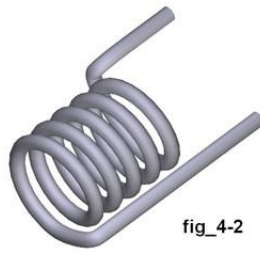
## AquaH

MARINE WATER HEATERS

IB-912 R07 (210-0329) (01/2018)

ORIGINAL INSTRUCTIONS/TRANSLATION OF ORIGINAL INSTRUCTIONS  
READ AND UNDERSTAND THIS MANUAL PRIOR TO OPERATING OR SERVICING THIS PRODUCT







**AquaH Marine Water Heaters** are available in 5 storage capacities (from 22 to 80 litres) and 2 power (500 w and 1200 W) to satisfy any installation and usage need.

### 1. GENERAL PRECAUTION MEASURES

The following instructions are important to grant safe installation, use and maintenance of the appliance.

- This booklet **is integral and essential part of the water heater**: therefore it has to be kept handy for any further consultation.
- The water heater has been **manufactured for hot water production**: any other use of it has to be considered dangerous and unsuitable.
- The appliance is not to be **installed in damp rooms, bathtubs, washbasins, showers, pools etc.** and it has to be protected from water splashes, water spouts or other liquids in order to avoid short circuiting the electrical devices.
- Installation has to be done by a **qualified person**, who is responsible for the application of safety regulations in force. Improper installation, caused by the non-compliance with the instructions provided by the manufacturer, **could cause injury to people, animal or damages to other equipments** for which the manufacturer accepts no responsibility.
- Before plugging in the water heater, **make sure that the electrical features** printed on the data badge correspond to those of the electrical supply.
- If the water heater is installed in a bathroom, in a **damp room or close to water**, take care of the safety distances as per **CEI-CEE** regulations. Furthermore, switches or any other electrical control shall not be reachable by anyone having a shower or using the bath. Do not touch the appliance with wet or damp hands.
- Do not allow any usage by children or incapacitated people without any supervision.
- Packaging parts (plastic bags, polystyrene, clips, etc.) **have to be kept away from children**, because they can be dangerous.
- **Read carefully** this booklet because it provides useful instructions concerning safety, installation, use and maintenance.
- If the appliance is **sold or moved** to another owner, make sure that this booklet stays with the appliance, so the new owner and/or installer can consult it.
- To avoid the risk of damage due to **frost**, if the appliance is not used for a long period and it is installed in a non-heated room, we advise to empty it completely. The manufacturer is not responsible for any damage or breakage due to frost or to water leakage from the plant.

- To get the best performance from the water heater and **for warranty purposes**, comply strictly with the instructions given here below.

### 2. TECHNICAL FEATURES

CODE	ELECTRICAL SUPPLY	STORAGE CAPACITY
56-47455-03	500 W - 230 V~	22 lt
56-47456-03	500 W - 230 V~	30 lt
56-47457-03	500 W - 230 V~	45 lt
56-47458-03	500 W - 230 V~	60 lt
56-47459-03	500 W - 230 V~	80 lt
56-47455-01	1200 W - 230 V~	22 lt
56-47456-01	1200 W - 230 V~	30 lt
56-47457-01	1200 W - 230 V~	45 lt
56-47458-01	1200 W - 230 V~	60 lt
56-47459-01	1200 W - 230 V~	80 lt

### 3. PACKAGING CONTENT

The water heater is packaged and delivered in a cardboard box with appropriate protection. Apart from the unit, inside the box there is the installation manual.

### 4. CONSTRUCTION AND OPERATION DESCRIPTION

The purpose of this appliance is to heat domestic hot water in two different ways:

1. By the heat exchange between the engine cooling water and the water stored inside the tank. This heat exchange is possible thanks to a heat exchanger. The engine cooling water circulates through a coil placed at the centre of the tank in order to spread heat uniformly.
2. By means of an electrical heater element (standard supplied with the appliance).

#### Main parts:

- **Storage tank (fig. 4-1)**: it is entirely made of AISI 316L stainless steel.
- **Casing**: the casing is very resistant to bumps and to any external stress, having at the same time a very nice design. It is made of 2 parts of black plastic and a central part of stainless steel.
- **Thermal insulation**: a 2 cm thick insulation in expanded polyurethane with closed cells avoids useless heat losses. In this way heat loss for thermal inertia is reduced to 1°C per hour over a period of 24 hours.
- **Heat exchanger (fig. 4-2)**: it is made of AISI 316L stainless steel; its exchange's surface allows to exploit at best the heat of the engine cooling water and to get hot water even in extreme conditions (very small temperature differences).
- **Electrical heater element (fig. 4-3)**: the appliance is equipped with an electrical heater element at 1200W-230V~ or 500W-230V~ in order to heat water even when the boat engine is off (for example when the boat is in the dock). Material : corrosion resistant alloy INCOLOY.

### 5. SAFETY AND CONTROL DEVICES

- **Pressure relief and non-return valve (fig. 5-1)**: it is a non-return valve, preventing hot water backflow into the cold water supply; it is also a pressure relief valve, protecting the tank against possible excessive pressure

caused by water while heating. The water is discharged from a suitable drain, which the valve is equipped with.

#### Technical data

<b>Body</b>	brass Ot 58
<b>Calibration</b>	800 ± 50 kpa 8.0±0.5 bar 116±7 psi

- **High limit temperature thermostat (fig. 5-2):** it is assembled inside the electrical heater element and it acts as:

1. **adjustable thermostat:** it cuts off the electrical supply to the heater element as the pre-set temperature is achieved (the temperature can be set between 0°C and 70°C, according to the user's needs).
2. **safety thermostat:** it cuts off the electrical supply to the heater element when, in case of bad operation of the appliance, the temperature of the water reaches 90°C. A manual intervention is needed to start up the appliance again (manual reset).

Temperature range	from 0 °C (pos.1) to 70 °C (pos.5)
Temperature differential	about 9 °C
Intervention temperature	90 °C
Maximum rating	20 A
Maximum temperature	120 °C

#### 6. EXPLODED VIEWS (fig. 5-2)

1. cover
2. gasket
3. fitting 14x1/2" M
4. 1/2" pressure relief and non-return valve
5. cable gland
6. adjustable thermostat
7. electrical heater element
8. insulated tank with plastic covers

#### 7. INSTALLATION INSTRUCTIONS

- Installation should be carried out, in accordance with the regulation in force, by a qualified person who can do, not only a proper set up of the appliance, but also the necessary tests before starting the water heater.
- During the original installation or subsequent maintenance, follow the instructions provided in this booklet carefully. Modifications to any kind of connection or the non-observance of the provided instructions will cause the warranty to be invalidated.
- Before installation, maintenance or repair, cut off the electrical supply to the appliance.

#### 8. LOCATION AND MOUNTING

Four fixing holes are present on the plastic case (fig. 8-1). In this way an easy but firm and safe installation is assured.

It's recommended to use metallic washer below the fixing nuts.

The appliance can be installed in every position, provided that it is located in such a way that the heat exchanger and/or the electrical heater element are placed at the bottom.

- **Location:** the appliance can be installed in every position (provided that it is located in such a way that

the heat exchanger and/or the electrical heater element are placed at the bottom) and in any space, with no restrictions to its conditions. What above described does not exempt from observing the instructions provided in the paragraph "General precaution measures", at the beginning of this booklet.

**PROPER POSITIONING OF MODELS (fig. 8-2 e fig. 8-3) FOR OTHER INSTALLATIONS, WHICH ARE NOT MENTIONED IN THIS BOOKLET, CONTACT OUR TECHNICAL DEPARTMENT.**

**FOR FURTHER INFORMATION CONCERNING INSTALLATION ON SLOPING WALLS, CONTACT OUR TECHNICAL DEPARTMENT.**

**WATER'S QUALITY:** to extend the working life of the appliance water should be according the following parameters, as foreseen by the European Directive 98/83/CE (on the quality of water intended for human consumption):

- overall water hardness: included between 15 and 50 °F (in particular where water has undergone a softening or desalination treatment)
- chlorides : included between 25 and 100 mg/l)
- PH: included between 6,5 and 9,5
- conductivity: included between 400 and 1500 µS/cm

#### DIMENSIONS (fig. 8-4)

code	A	B	C	D	E	F
56-47455-01 56-47455-03	322	290	235	325	410	485
56-47456-01 56-47456-03	322	290	370	325	545	620
56-47457-01 56-47457-03	322	290	625	325	805	880
56-47458-01 56-47458-03	322	290	810	325	990	1065
56-47459-01 56-47459-03	322	290	1090	325	1270	1345

#### 9. WATER CONNECTIONS (fig. 9-1)

Minimum water inlet pressure: 0,7 bar.

Connect the appliance according to the following diagrams:

1. cold water inlet (1/2")
2. hot water outlet (1/2")
3. Engine cooling water out (1/2")
4. Engine cooling water in (1/2")

**We advise that hot water pipes are insulated to avoid useless waste of energy.**

**Fitting the pressure relief and non-return valve:** a pressure relief and non return valve is supplied with the heater. The valve is included in the box separate from the heater. The valve must be fitted to the cold water inlet while installing the heater. It is necessary to remove the protection cap of the heater element to install the valve (fig. 9.2 e fig. 9.3).



**WARNING: Do not replace the pressure relief and non-return valve supplied with the appliance with a non-return valve (clapet).**





**WARNING:** connect the water drain of the valve to a rubber hose having an internal Ø of 9,5 mm. This drain hose has to be installed with a continuous downwards gradient and located in a place protected from ice.

#### CIRCUIT DIAGRAM (fig. 9.2 e fig. 9.3)

- |                                 |                    |
|---------------------------------|--------------------|
| 1. Water tank                   | 8. Water heater    |
| 2. PUMProtector inlet strainer  | 9. Switch          |
| 3. Aqua Jet water pressure pump | 10. Shut-off valve |
| 4. Battery                      | 11. Check valve    |
| 5. Fuse                         | 12. Shut-off valve |
| 6. Switch                       | 13. Engine         |
| 7. Accumulator tank             |                    |

#### 10. WIRING

The appliance has to be connected to a 230 V~, single-phase electric power and to a very good earthing.

Mains connection (fig. 10-1) :

- L ..... live  
N ..... neutral



**THE MANUFACTURER DON'T ACCEPT RESPONSIBILITY FOR POSSIBLE DAMAGE OR INJURY CAUSED BY MISSING EARTH CONNECTION OF THE APPLIANCE.**

Foresee a bipolar switch near the appliance to permit isolation of the water heater.

Connect the electrical supply cable in accordance with the wiring standards in force in the country where the appliance is installed. In case of replacement of the electrical supply cable, use only a cable with the same features (H05 VV-F – 3x1,5 mmq).



**WARNING:** before working on the thermostat, be sure that the electrical supply is completely cut off.

#### 11. USE INSTRUCTIONS

The electrical heater element is equipped with a thermostat that has the following double function:

1. temperature setting, cutting off the electrical supply to the heater element when the pre-set temperature is achieved (it is possible to adjust the thermostat between 0 °C and 70 °C, according to the user's needs).

R Reset button

T Temperature setting

- 1 .....min  
5 .....max

2. safety, cutting off the electrical supply to the heater element when, in case of bad operation of the appliance, the temperature of the stored water reaches 90 °C. To start up again the appliance, manual intervention is needed (manual reset). In this case follow the procedure below:

- a. Cut off the electrical supply
- b. Remove the protection cap of the heater element
- c. Push the reset button placed on the thermostat
- d. Place the protection cover on the heater element
- e. Restore the electrical supply



**WARNING:** connect the power to the electrical heater element only when the storage tank is filled with water. The heater element is not for a dry operation.

#### 12. MAINTENANCE OF THE APPLIANCE

To make the operation of the appliance safer and to extend its working life, a periodic inspection by an authorised assistance service is recommended at least once a year.

#### 13. WARRANTY

Warranty terms are valid provided that installation instructions and everything contained in this booklet are complied with. This warranty lasts, for all devices, 36 months from the manufacturing date printed on data label of the appliance.

Where components need replacement, we advise that only original components are used from an authorised service for safety and warranty purposes.

#### 14. ACCESSORIES AVAILABLE ON DEMAND

cod. 56-47464-01 : AQUAH THERMOSTATIC WATER MIXER (fig. 14-1)

It allows to set a constant hot water temperature (between 21°C and 70 °C)

cod. 56-A.BGOM: AQUAH HOSE CONNECTION KIT (fig. 14-2)

It allows to carry out water connections by means of rubber hoses, instead of threaded connections.

15. MAIN SPARE PARTS (fig. 15-1)

			22 lt	30 lt	45 lt	60 lt	80 lt	22 lt	30 lt	45 lt	60 lt	80 lt
			500 W	500 W	500 W	500 W	500 W	1200 W	1200 W	1200 W	1200 W	1200 W
			56-47455-03	56-47456-03	56-47457-03	56-47458-03	56-47459-03	56-47455-01	56-47456-01	56-47457-01	56-47458-01	56-47459-01
1	56-A.020-0052	AQUAH COVER	X	X	X	X	X	X	X	X	X	X
2	56-A.100-0086	AQUAH GASKET	X	X	X	X	X	X	X	X	X	X
3	56-A.130-0081	AQUAH FITTING 14X1/2" MALE	X	X	X	X	X	X	X	X	X	X
4	56-A.130-0092	AQUAH PRES. RELIEF AND NON-RET. VALVE	X	X	X	X	X	X	X	X	X	X
5	56-A.140-0007	AQUAH CABLE GLAND	X	X	X	X	X	X	X	X	X	X
6	56-A.280-0042	AQUAH ADJUSTABLE THERMOSTAT	X	X	X	X	X	X	X	X	X	X
7	56-A.280-0014	AQUAH HEATER ELEMENT 500 W	X	X	X	X	X					
7	56-A.280-0016	AQUAH HEATER ELEMENT 1200 W						X	X	X	X	X
	56-A.900-0135	AQUAH SUPPLY CABLE	X	X	X	X	X	X	X	X	X	X

For more information about our worldwide locations, approvals, certifications, and local representatives, please visit [www.spxflow.com](http://www.spxflow.com). SPX FLOW, Inc. reserves the right to incorporate our latest design and material changes without notice or obligation.

Design features, materials of construction and dimensional data, as described in this bulletin, are provided for your information only and should not be relied upon unless confirmed in writing.



Made by SPX FLOW Johnson Pump®

RELIABILITY ON BOARD  
-SINCE 1968-



**AquaH marina varmvattenberedare** levereras i 5 olika storlekar (från 22 till 80 liter) och i 2 effekter (500 W och 1200 W).

### 1. ALLMÄNA SÄKERHETSFÖRESKRIFTER

Följande instruktioner är av stor vikt för att installation, användning och underhåll av produkten ska kunna genomföras på ett säkert sätt.

- Denna instruktion är en integrerad och viktig del av varmvattenberedaren och ska därför förvaras lätt tillgänglig för användaren.
- Beredaren är tillverkad för att producera varmvatten. All annan användning är att betrakta som olämplig eller skadlig.
- Beredaren ska inte installeras i fuktiga utrymmen, vid badkar, tvättställ, duschar, pooler etc. och inte heller utsätts för vattenstänk, vattenkaskader eller annan fukt eftersom detta kan förorsaka kortslutning.
- Installationen måste utföras av en behörig person, som är ansvarig för installation enligt gällande säkerhetsföreskrifter. Felaktig installation, eller installation som utförts utan att instruktionerna i denna bok beaktats, kan förorsaka skada på person, djur eller utrustning. Leverantören ansvarar inte för skador som uppkommit till följd av felaktig installation eller oaktsamhet.
- Innan varmvattenberedaren ansluts bör du förvissa dig om att de elektriska specifikationerna, som finns angivna på produktens etikett, överensstämmer med vad som finns tillgängligt från strömkällan vid installationen.
- Om varmvattenberedaren installeras i ett badrum, i ett fuktigt rum eller nära vatten, måste CEI-CEE restriktionerna rörande säkerhetsavstånd följas. Vidare ska strömbrytare eller annan elektrisk kontrollutrustning placeras utom räckhåll från den som duschar eller använder badet. Rör inte vid utrustningen med våta eller fuktiga händer.
- Barn eller andra otillräkneliga personer bör inte tillåtas att använda produkten utan tillsyn.
- Förpackningsmaterial (plastpåsar, polystyren, clips, etc.) kan vara farliga och ska därför hållas utom räckhåll för barn.
- Läs instruktionsboken noggrant. Den innehåller viktiga upplysningar om säkerhet, installation, användning och underhåll.
- I de fall då produkten säljs eller flyttas till en annan ägare, ska instruktionsboken bifogas med produkten så att den nye ägaren/installatören kan ta del av informationen.
- För att undvika skador vid frost, om produkten inte används under en längre period eller om den är

installerad i ett icke uppvärmt utrymme, bör behållaren tömmas helt. Tillverkaren är inte ansvarig för någon skada eller sönderbrytning orsakat av frostfrysning eller annat vattenläckage från intilliggande utrustning.

- För bästa prestanda, och för att garantin ska vara gällande, ska nedanstående instruktioner följas noggrant.

### 2. Teknisk beskrivning

Artikelnr.	Effekt	Volym
56-47455-03	500 W - 230 V~	22 lt
56-47456-03	500 W - 230 V~	30 lt
56-47457-03	500 W - 230 V~	45 lt
56-47458-03	500 W - 230 V~	60 lt
56-47459-03	500 W - 230 V~	80 lt
56-47455-01	1200 W - 230 V~	22 lt
56-47456-01	1200 W - 230 V~	30 lt
56-47457-01	1200 W - 230 V~	45 lt
56-47458-01	1200 W - 230 V~	60 lt
56-47459-01	1200 W - 230 V~	80 lt

### 3. Förpackningens innehåll

Varmvattenberedaren packas och levereras i en kartong med erforderligt skydd. I kartongen återfinns också produktens instruktionsbok.

### 4. Konstruktion och funktionsbeskrivning

Varmvattenberedaren är avsedd för produktion av varmvatten, något som kan ske på två olika sätt:

1. Med hjälp av en värmeväxlare. Motorns kylvatten används för att värma det vatten som finns lagrat i varmvattenberedaren. Kylvattnet från motorn cirkulerar genom en spole som är placerad vid tankens mitt, vilket ger en jämn värmspridning.
2. Med hjälp av ett elektriskt värmelement (levereras som standard).

### Huvudkomponenter:

- **Vattenbehållare (fig. 4-1):** tillverkad helt i AISI 316L rostfritt stål.
- **Hölje:** stöttåligt och med hög motståndskraft mot yttre påverkan. Mittstycke i rostfritt stål och 2 ändstycken i svart plast.
- **Värmeisolering:** en 2 cm tjock isolering av expanderad polyuretan med slutna celler för minimerad värmeförlust. Beräknad värmeförlust är 1°C per timme över en period av 24 timmar.
- **Värmeväxlare (fig. 4-2):** tillverkad av AISI 316L rostfritt stål; utväxlingsytan gör det möjligt att utvinna maximal värme från motorns kylvatten vilket gör det möjligt att få varmvatten även under extrema förhållanden (mycket små temperaturskillnader).
- **Elektriskt värmelement (fig. 4-3):** varmvattenberedaren är utrustad med ett elektriskt värmelement 1200W-230V~ eller 500W-230V~ vilket gör det möjligt att värma vattnet även när båtens motor är avstängd (till exempel när båten är förtöjd i hamn). Material: korrosionsresistent INCOLOY legering.

### 5. Säkerhets och kontrollutrustning

- **Säkerhets- och backventil (fig. 5-1):** en backventil förhindrar varmvatten att flöda tillbaka i kallvattenledningen; den är också en säkerhetsventil

som skyddar tanken mot övertryck som kan uppstå vid uppvärmning av vattnet. Vattnet i tanken kan tappas ut via den evakueringsventil som är inkluderad i säkerhetsventilen.

#### Tekniska data

Ventilhus	brons Ot 58
Inställning	800 ± 50 kpa 8.0±0.5 bar 116±7 psi

• **Maxtemperatur termostat (fig. 5-2):** finns monterad inuti det elektriska värmeelementet. Fungerar som:

- 1. justerbar termostat:** stänger av eltilförseln när värmeelementet uppnått den förinställda temperaturen. (temperaturen kan förinställas på mellan 0°C och 70°C, enligt användarens önskemål).
- 2. säkerhetermostat:** stänger av eltilförseln till värmeelementet om vattentemperaturen, pga felaktig hantering av produkten, uppnår en temperatur av 90°. En manuell omstart krävs innan produkten åter kan tas i bruk.

Temperaturområde	från 0 °C (pos.1) till 70 °C (pos.5)
Temperaturskillnad	omkring 9 °C
Frånslagstemperatur	90 °C
Max Ampere	20 A
Max. temperatur	120 °C

#### 6. Sprängskiss (fig. 6-1)

1. Lock
2. Packning
3. Nippel 14x1/2" M
4. 1/2" säkerhets- och backventil
5. Packbox
6. Justerbar termostat
7. Elektriskt värmeelement
8. Isolerat hölje med ändstycken i plast

#### 7. Installation

- Installation ska utföras i enlighet med gällande lagstiftning, av en kvalificerad person som tar ansvar för att installationen blir korrekt och att nödvändiga tester genomförs innan produkten tas i bruk.
- Vid installation och underhåll ska instruktionerna i denna bok följas noggrant. Modifiering av produkten eller övriga åsidosättanden av instruktionerna i denna bok gör att garantin slutar gälla.
- Innan installation, underhåll eller reparation ska strömförsörjningen till beredaren stängas av.

#### 8. Placering och montering

Höljets ändstycken i plast är försedda med fyra fixeringshål för att underlätta installationen (fig. 8-1). Montering av en metallbricka under de fixerande muttrarna rekommenderas.

Beredaren kan installeras i ett flertal positioner, förutsatt att värmeväxlaren och/eller det elektriska värmeelementet placeras nedåt.

Monteringsläge: Vad som beskrivs ovan är standardinstallationer för beredare med standardutförande. För övriga installationer kontakta er återförsäljare.

Ta även hänsyn till vad som beskrivs i stycke 1, "ALLMÄNA SÄKERHETS FÖRESKRIFTER"

#### KORREKT PLACERING AV VARMVATTENBEREDARE (fig. 8-2 e fig. 8-3)

FÖR ANDRA INSTALLATIONER, SOM INTE BESKRIVS I DENNA INSTRUKTIONSBOK, KONTAKTA ER ÅTERFÖRSÄLJARE.

FÖR YTTERLIGARE INFORMATION RÖRANDE INSTALLATION PÅ SLUTTANDE VÄGGAR, KONTAKTA ER ÅTERFÖRSÄLJARE.

**VATTENKVALITÉ:** för att förlänga produktens livslängd ska vattnet uppfylla följande kriterier vilka anges i euorpadirektivet 98/83/CE (vattenkvalitetsnormer för vatten som skall användas i hushåll)

- vattenhårdhet: beräknat värde mellan 15 och 50 °F (särskilt om vattnet har genomgått mjukgörande och renande behandling)
- Klorid : beräknat värde mellan 25 och 100 mg/l)
- PH: beräknat värde 6,5 och 9,5
- Ledningsförmåga: beräknat värde mellan 400 och 1500 µS/cm

#### DIMENSIONER (fig. 8-4)

Artikelnr.	A	B	C	D	E	F
56-47455-01 56-47455-03	322	290	235	325	410	485
56-47456-01 56-47456-03	322	290	370	325	545	620
56-47457-01 56-47457-03	322	290	625	325	805	880
56-47458-01 56-47458-03	322	290	810	325	990	1065
56-47459-01 56-47459-03	322	290	1090	325	1270	1345

#### 9. VATTENANSLUTNINGAR (fig. 9-1)

Minsta vattentryck, inlopp: 0,7 bar.

Anslut produkten enligt följande diagram:

1. Inlopp, kallt vatten (1/2")
2. Utlopp, varmt vatten (1/2")
3. Utlopp, kylvatten från motor (1/2")
4. Inlopp, kylvatten från motor (1/2")

**Vi rekommenderar att varmvattenledningarna isoleras för att undvika onödig energiförlust.**

**Anslutning av säkerhets- och backventil:** en säkerhets- och backventil levereras med varmvattenberedaren. Ventilen levereras omonterad och återfinns i kartongen. Ventilen måste anslutas till inloppet för kallvatten när varmvattenberedaren installeras. Skyddslocket på värmeelementet måste tas bort för att ventilen ska kunna monteras (fig. 9.2 e fig. 9.3).



**VARNING: Ersätt inte säkerhets- och backventilen som levererats med varmvattenberedaren med en vanlig backventil.**





**WARNING: anslut ventilens dränering till en gummislang med en innerdiameter på 9,5 mm. Denna dräneringsslang måste installeras fallande och placeras så att den inte riskerar att frysa sönder.**

#### KOPPLINGSSCHEMA (fig. 9-4)

- |                             |                        |
|-----------------------------|------------------------|
| 1. Vattentank               | 8. Varmvattenberedare  |
| 2. PUMProtector filter      | 9. Strömbrytare        |
| 3. Aqua Jet tryckvattenpump | 10. Avstängningsventil |
| 4. Batteri                  | 11. Backventil         |
| 5. Säkring                  | 12. Avstängningsventil |
| 6. Strömbrytare             | 13. Motor              |
| 7. Ackumulatortank          |                        |

#### 10. KABELDRAGNING

Varmvattenberedaren måste anslutas till en 230 V~, 1-fas strömkälla med god jordning.

EL-anslutning (fig. 10-1):

- L ..... fas  
N ..... nolla



**TILLVERKAREN ANSVARAR INTE FÖR EVENTUELLA SKADOR SOM ORSAKATS TILL FÖLJD AV FELAKTIG ELLER SAKNAD JORDNING**

Se till att en tvåpolig brytare är monterad vid stömmållan för att skydda isolationen i varmvattenberedaren.

Anslut matarkabeln i enlighet med gällande lokala lagar och standarder. Om matarkabeln måste bytas, använd endast ersättningskabel med samma egenskaper (H05 VV-F – 3x1,5 mmq).



**WARNING: Se till att strömmen är helt anvstängd innan några arbeten utförs på termostaten.**

#### 11. ANVÄNDARINSTRUKTIONER (fig. 10-1)

Det elektriska värmeelementet är utrustat med en termostat med dubbel funktion:

- 1. Inställning av temperatur;** stänger av eltilförseln till värmeelementet när detta uppnått den förinställda temperaturen. (temperaturen kan förinställas på mellan 0°C och 70°C, enligt användarens önskemål).

- |   |  |
|---|--|
| R | Återställnings-knappulsante per riarmo |
| T | Temperatur inställning                 |
|   | 1 .....min                             |

5 .....max

- 2. Säkerhet;** stänger av eltilförseln till värmeelementet om vattentemperaturen, pga felaktig hantering av produkten, uppnår en temperatur av 90°. En manuell omstart krävs innan produkten åter kan tas i bruk. En manuell omstart görs enligt följande:

- Stäng av strömtillförseln
- Ta bort skyddslocket på det elektriska värmeelementet
- Tryck på termostatens återställningsknapp
- Sätt tillbaka skyddslocket på det elektriska värmeelementet,
- Slå på strömtillförseln



**WARNING: anslut strömmen till det elektriska värmeelementet endast när tanken är fylld med vatten. Värmeelementet får inte köras torrt.**

#### 12. PRODUKTUNDERHÅLL

För att göra produkten säkrare, och för att förlänga produktens livslängd, bör den gås igenom av auktoriserad servicepersonal minst en gång varje år.

#### 13. GARANTI

Garantivillkoren är giltiga under förutsättning att installationsinstruktioner och övrig information i denna instruktionsbok efterlevs. Garantitiden är, för alla delar, 36 månader från tillverkningsdagen som finns angiven på produktens etikett.

Vid byte av komponenter bör endast originaldelar användas, annars finns risk att produkten inte längre kan användas på ett säkert sätt, eller att garantivillkoren åsidosätts.

#### 14. TILLBEHÖR (på efterfrågan)

cod. 56-47464-01 : AQUAH VARMVATTEN-TERMOSTATKIT (fig. 14-1)

Gör det möjligt att hålla en konstant vattentemperatur (mellan 21°C och 70 °C)

cod. 56-A.BGOM: AQUAH SLANG- ANSLUTNINGSKIT (fig. 14-2)

Gör det möjligt att ansluta vatten med hjälp av gummislangar istället för genom gänganslutningar.

## 15. RESERVDELAR (fig. 15-1)

			22 lt	30 lt	45 lt	60 lt	80 lt	22 lt	30 lt	45 lt	60 lt	80 lt
			500 W	500 W	500 W	500 W	500 W	1200 W	1200 W	1200 W	1200 W	1200 W
			56-47455-03	56-47456-03	56-47457-03	56-47458-03	56-47459-03	56-47455-01	56-47456-01	56-47457-01	56-47458-01	56-47459-01
1	56-A.020-0052	AQUAH LOCK	X	X	X	X	X	X	X	X	X	X
2	56-A.100-0086	AQUAH PACKNING	X	X	X	X	X	X	X	X	X	X
3	56-A.130-0081	AQUAH 14X1/2" UTV. KOPPLING	X	X	X	X	X	X	X	X	X	X
4	56-A.130-0092	AQUAH SÄKERHETS- OCH BACKVENTIL	X	X	X	X	X	X	X	X	X	X
5	56-A.140-0007	AQUAH KABELTÄTNING	X	X	X	X	X	X	X	X	X	X
6	56-A.280-0042	AQUAH JUSTERBAR TERMOSTAT	X	X	X	X	X	X	X	X	X	X
7	56-A.280-0014	AQUAH VÄRE- ELEMENT 500 W	X	X	X	X	X					
7	56-A.280-0016	AQUAH VÄRME- ELEMENT 1200 W						X	X	X	X	X
	56-A.900-0135	AQUAH ANSLUTNINGSKABEL	X	X	X	X	X	X	X	X	X	X

Besök [www.spxflow.com](http://www.spxflow.com) för mer information om vår världsomspännande organisation, våra godkännanden, certifieringar och lokala representanter.

SPX FLOW, Inc. förbehåller sig rätten att ändra design och material utan föregående avisering. Designelement, konstruktionsmaterial och dimensioner som beskrivs i denna bulletin gäller endast som information och skall alltid bekräftas skriftligt för att vara gällande.



Made by SPX FLOW Johnson Pump®

RELIABILITY ON BOARD  
-SINCE 1968-



Les chauffe-eau **AquaH Marine** sont disponibles en 5 capacités de stockage (entre 22 et 80 litres) et en 2 puissances électriques (500w- et 1200w) pour satisfaire toute exigence d'installation et d'utilisation.

### 1. PRECAUTIONS GENERALES

Les renseignements suivants concernent la sécurité d'installation, d'utilisation et d'entretien.

- Cette notice technique **fait partie intégrante du produit** et doit être conservée près de l'appareil **pour la pouvoir consulter**.
- L'appareil a été conçu pour la production d'eau chaude sanitaire. Tout autre type d'utilisation aléatoire doit être considéré comme impropre et dangereux.
- L'appareil **ne doit pas être installé dans des endroits humides, près de baignoires, lavabos, douches, piscines etc.** Il faut aussi protéger l'appareil de projections d'eau ou d'autres liquides afin d'éviter des dommages aux composants électriques.
- L'installation doit être effectuée par un **technicien qualifié**, conformément aux normes en vigueur au niveau de sécurité. Une installation impropre, qui ne soit pas conforme aux renseignements donnés par le Fabricant, **peut entraîner des dommages sur des personnes, animaux ou bien objets** pour lesquels le Fabricant n'est pas responsable.
- Avant de raccorder l'appareil, **vérifier que les caractéristiques électriques** indiquées sur la plaque signalétique correspondent à celles du réseau d'alimentation électrique.
- Si l'appareil est installé dans une salle de bains ou dans **un endroit humide**, respecter les distances de sécurité prévues par les normes **CEI-CEE**. Il faut éviter aussi que l'interrupteur et les autres commandes électriques soient près de la douche ou de la baignoire. Ne pas toucher l'appareil avec mains mouillées ou humides.
- Ne pas permettre que l'appareil soit utilisé par des enfants ou des incapables, sans aucune surveillance.
- Les différentes parties de l'emballage (sachets de plastique, polystyrène, clous agrafes, etc.) **ne doivent pas être laissées à la portée des enfants**, car dangereuses.
- **Lire attentivement** les avertissements contenus dans le présent livret car ils donnent des indications importantes au niveau de la sécurité d'installation, d'utilisation et d'entretien.
- Dans le cas où l'appareil devrait être **vendu ou transféré** chez un autre propriétaire, s'assurer toujours que le livret accompagne le matériel afin que le nouvel utilisateur et/ou installateur puisse le consulter.

- Pour éviter tout risque de dommages causés par le **gel**, si on prévoit de ne pas utiliser l'appareil pour longtemps et si le chauffe-eau est placé dans un endroit non chauffé, il faut vidanger la cuve complètement. Le Fabricant décline toute responsabilité pour dommages causés par le gel ou par écoulements d'eau de l'installation.
- Pour un fonctionnement correct de l'appareil et **pour la reconnaissance de la garantie**, suivre attentivement les renseignements donnés ci-après.

### 2. CARACTERISTIQUES TECHNIQUES

REFERENCE	PUISSANCE ELECTRIQUE	CAPACITE DE STOCKAGE
56-47455-03	500 W - 230 V~	22 lt
56-47456-03	500 W - 230 V~	30 lt
56-47457-03	500 W - 230 V~	45 lt
56-47458-03	500 W - 230 V~	60 lt
56-47459-03	500 W - 230 V~	80 lt
56-47455-01	1200 W - 230 V~	22 lt
56-47456-01	1200 W - 230 V~	30 lt
56-47457-01	1200 W - 230 V~	45 lt
56-47458-01	1200 W - 230 V~	60 lt
56-47459-01	1200 W - 230 V~	80 lt

### 3. CONTENU DE L'EMBALLAGE

L'accumulateur est livré dans un carton avec toutes les protections nécessaires. A l'intérieur du carton, il y a la notice technique.

### 4. DESCRIPTION FONCTIONNELLE ET DE CONSTRUCTION

Cet appareil permet la production d'ecs par:

1. l'échange de la chaleur entre l'eau de refroidissement du moteur et l'eau contenue dans la cuve. L'échange se fait par un échangeur de chaleur en cuivre qui est placé dans la partie centrale de la cuve. A l'intérieur de l'échangeur circule l'eau de refroidissement du moteur, qui est étanche par rapport à l'eau sanitaire et permet une distribution de la chaleur uniforme.
2. une résistance électrique (livrée avec l'accumulateur).

#### Parties principales:

- **Cuve (fig. 4-1):** la cuve est en acier inoxydable AISI 316L.
- **Jaquette extérieure:** elle est très résistante aux heurts et à toutes contraintes, mais en même temps d'aspect très agréable. La jaquette est constituée par 2 parties en plastique noire et une partie centrale en acier inoxydable.
- **Isolation thermique:** L'isolation est en polyuréthane expansé à cellules fermées de 2 cm d'épaisseur. Grâce à cette isolation on limite toutes pertes de chaleur : dans une période de 24 heures les déperditions par inertie thermique sont réduites à 1°C chaque heure.
- **Echangeur de chaleur (fig. 4-2):** Il est en acier inoxydable AISI 316L. Sa surface d'échange permet d'exploiter au maximum la chaleur de l'eau de refroidissement du moteur, en assurant la production d'ecs même dans situations limite (sauts thermiques très réduits).

- **Résistance électrique (fig. 4-3):** pour que l'eau puisse être chauffée aussi lorsque le bateau est en port, l'appareil est pourvu d'une résistance électrique à 1200W-230V~ ou 500W-230V~. Matériel : alliage INCOLOY résistant à la corrosion.

## 5. ORGANES DE CONTROLE ET SECURITE

- **Soupape de retenue et sécurité (fig. 5-1):** elle fait fonction de non-retour, car empêche à l'eau chaude stockée dans la cuve de retourner vers le circuit d'alimentation eau froide ; elle est aussi une soupape de sécurité car protégé la cuve contre les montées en pression excessives causées par le chauffage de l'eau. La soupape est pourvue d'une spéciale vidange qui permet l'écoulement de l'eau.

Données techniques

<b>Corps</b>	laiton Ot 58
<b>Tarage</b>	800 ± 50 kpa 8.0±0.5 bar 116±7 psi

- **Thermostat de sécurité (température eau) (fig. 5-2):** L'appareil est équipé d'un thermostat, qui est placé sur la résistance électrique. Il fait fonction de:
  1. **Thermostat de réglage:** il coupe l'alimentation électrique lorsque la température demandée est atteinte (on peut demander une température entre 0°C et 70°C, selon les exigences).
  2. **Thermostat de sécurité:** il coupe l'alimentation électrique lorsque, à cause d'un défaut de fonctionnement, la température de l'eau dans la cuve atteint 90°C. Pour remettre en marche l'appareil, une intervention manuelle est nécessaire (réarmement manuel).

Réglage température	de 0 °C (pos.1) à 70 °C (pos.5)
Différentiel température	environ 9 °C
Température de sécurité	90 °C
Puissance maxi admise	20 A
Température maxi admise	120 °C

## 6. VUE ECLATEE (fig. 6-1)

1. Protection résistance électrique
2. Joint
3. Raccord 14x1/2" M
4. Soupape de retenue et sécurité 1/2"
5. Serre-fils
6. Thermostat de réglage
7. Résistance électrique
8. Cuve avec isolation et parties en plastiques

## 7. RECOMMANDATIONS POUR L'INSTALLATION

- L'installation doit être effectuée par une personne professionnellement qualifiée conformément aux normes en vigueur, en état d'assurer une correcte installation de l'appareil et tous les contrôles nécessaires avant la mise en service.
- Pendant l'installation ou toutes opérations d'entretien, suivre attentivement les renseignements contenus dans ce livret. N'importe quelle modification aux raccords réalisés en usine et le non-respect des ces instructions invalident la garantie sur l'appareil.

- Au préalable de toute opération d'installation, d'entretien ou réparation couper l'alimentation électrique.

## 8. MISE EN PLACE ET INSTALLATION

Les deux parties en plastique sont pourvues de quatre trous de fixation en permettant une installation facile mais au même temps sûre (fig. 8-1).

Toutes positions d'installation sont possibles, à condition que la trappe de visite (échangeur de chaleur et/ou résistance électrique) soit dans la partie la plus basse.

- **Mise en place:** L'appareil peut être installé dans n'importe quelle position (à condition que l'échangeur de chaleur et/ou résistance électrique soient en bas) et dans tout type de local, sans aucune limitation au niveau de conditions d'aération ou de volume. Tout ça n'exempte pas de suivre les renseignements donnés au paragraphe "Précautions générales", qui se trouve au début de ce livret.

**POSITIONS CORRECTES DE L'APPAREIL** (fig. 8-2 e fig. 8-3)

**POUR TOUS RENSEIGNEMENTS CONCERNANT LES INSTALLATIONS QUI NE SONT PAS MENTIONNEES DANS CETTE NOTICE, CONTACTER NOTRE BUREAU TECHNIQUE.**

**POUR TOUS RENSEIGNEMENTS CONCERNANT L'INSTALLATION SUR PAROIS PENCHEES, CONTACTER NOTRE BUREAU TECHNIQUE.**

**QUALITE' DE L'EAU:** La vie de l'appareil sera mieux préservée si les paramètres suivants seront respectés, comme prévu par la Directive Européenne 98/83/CE en matière de qualité des eaux destinées à l'usage humain:

- Dureté totale: comprise entre 15 et 50 °F (en particulier en présence d'eaux qui ont été soumises à un traitement d'adoucissement ou de dessalement)
- Chlorures : compris entre 25 et 100 mg/l
- PH : compris entre 6,5 et 9,5
- Conductibilité: comprise entre 400 et 1500 µS/cm

## DIMENSIONS (fig. 8-4)

Référence	A	B	C	D	E	F
56-47455-01 56-47455-03	322	290	235	325	410	485
56-47456-01 56-47456-03	322	290	370	325	545	620
56-47457-01 56-47457-03	322	290	625	325	805	880
56-47458-01 56-47458-03	322	290	810	325	990	1065
56-47459-01 56-47459-03	322	290	1090	325	1270	1345

## 9. RACCORDEMENTS HYDRAULIQUES (fig. 9-1)

Pression minimum entrée eau: 0,7 bar.

Raccorder les appareils en suivant les schémas suivants:

1. entrée eau froide (1/2")
2. sortie eau chaude (1/2")
3. retour eau refroidissement du moteur (1/2")



## 4. entrée eau refroidissement du moteur (1/2")

**Isoler les conduites d'eau chaude pour éviter gaspillages inutiles d'énergie.**

**Montage soupape de retenue et sécurité:** la soupape de retenue et sécurité est livrée avec l'appareil, mais elle n'est pas montée. Il faut la raccorder sur l'entrée eau froide pendant l'installation de l'appareil. Pour la pouvoir raccorder il faut enlever la protection de la résistance électrique (fig. 9.2 e fig. 9.3)



**ATTENTION:** ne pas remplacer la soupape de retenue et sécurité livrée avec l'appareil avec un clapet de non-retour.



**ATTENTION:** raccorder à la vidange de la soupape un tube en gomme avec Ø interne 9,5 mm. Ce tube doit être installé avec une pente continue vers le bas et dans une place protégée contre le gel.

#### SCHEMA DE MONTAGE (fig. 9-4)

- |                      |                        |
|----------------------|------------------------|
| 1. réservoir eau     | 8. chauffe-eau         |
| 2. filtre aspiration | 9. interrupteur        |
| 3. pompe             | 10. clapet d'arrêt     |
| 4. batterie          | 11. soupape de retenue |
| 5. fusée             | 12. clapet d'arrêt     |
| 6. interrupteur      | 13. moteur du bateau   |
| 7. vase expansion    |                        |

#### 10. RACCORDEMENTS ELECTRIQUES

L'appareil doit être branché à un réseau d'alimentation électrique en 230 V~, monophasé, et à une mise à la terre efficace (utiliser la cosse dont l'appareil est pourvu).

Connexions électriques (fig. 10-1) :

- L ..... phase  
N ..... neutre



**LE FABRICANT N'EST PAS RESPONSABLE POUR EVENTUELS DOMMAGES CAUSES PAR UNE MISE A LA TERRE QUI N'EST PAS ADEQUATE.**

Prévoir près de l'accumulateur un interrupteur bipolaire pour un éventuel arrêt général de l'appareil.

Réaliser les raccordements électriques conformément aux normes électriques en vigueur dans les pays où l'appareil est installé et utilisé. En cas de remplacement du câble d'alimentation, utiliser uniquement un câble ayant les mêmes caractéristiques (H05 VV-F – 3x1,5 mmq).



**ATTENTION:** Avant n'importe quelle intervention sur le thermostat s'assurer que l'alimentation électrique soit coupée.

#### 11. RENSEIGNEMENTS POUR L'USAGER

La résistance électrique est équipée d'un thermostat qui fait fonction de:

1. Thermostat de réglage – il coupe l'alimentation électrique lorsque la température demandée est atteinte (on peut demander une température entre 0°C et 70°C, selon les exigences).

R bouton de réarmement

T réglage température

1 .....min

5 .....max

2. Thermostat de sécurité - il coupe l'alimentation électrique lorsque, à cause d'un défaut de fonctionnement, la température de l'eau dans la cuve atteint 90°C. Pour remettre en marche l'appareil, une intervention manuelle est nécessaire (réarmement manuel). Réaliser les interventions suivantes :

- a. Couper l'alimentation électrique
- b. Enlever la protection de la résistance électrique
- c. Appuyer sur le bouton de réarmement placé sur le thermostat
- d. Remettre à sa place la protection de la résistance électrique
- e. Restaurer l'alimentation électrique



**ATTENTION:** allumer le chauffage électrique de l'appareil uniquement si la cuve est pleine d'eau. La résistance électrique n'est par conçue pour un fonctionnement à sec.

#### 12. ENTRETIEN

Pour une utilisation de l'appareil en toute sécurité et pour prolonger la durée de vie de l'accumulateur, faire vérifier l'appareil par un service après-vente agréé une fois par an.

#### 13. GARANTIE

La garantie est valable à condition que les normes en vigueur en matière d'installation, ainsi que les renseignements donnés dans ce livret, soient respectés. La garantie sur les composants a une durée de 36 mois à compter de la date de production du chauffe-eau qui est imprimée sur la plaque signalétique de l'appareil.

Au but d'une utilisation sûre et correcte et de la reconnaissance de la garantie, utiliser uniquement des pièces de rechange d'origine en Vous adressant à un Service Après-vente agréé.

#### 14. ACCESSOIRES DISPONIBLES SUR COMMANDE

cod. 56-47464-01 : KIT MELANGEUR THERMOSTATIQUE (fig. 14-1)

Ce kit permet de régler une température constante d'eau chaude à la sortie de l'appareil (réglage entre 21°C et 70°C)

cod. 56-A.BGOM: KIT RACCORDEMENT PAR TUYAUX FLEXIBLES AQUAH (fig. 14-2)

Il permet de réaliser les raccordements hydrauliques par moyen de tuyaux flexibles (au lieu de raccords filetés).

## 15. PRINCIPALES PIECES DE RECHANGE (fig. 15-1)

			22 lt	30 lt	45 lt	60 lt	80 lt	22 lt	30 lt	45 lt	60 lt	80 lt
			500 W	500 W	500 W	500 W	500 W	1200 W	1200 W	1200 W	1200 W	1200 W
			56-47455-03	56-47456-03	56-47457-03	56-47458-03	56-47459-03	56-47455-01	56-47456-01	56-47457-01	56-47458-01	56-47459-01
1	56-A.020-0052	PROTECTION	X	X	X	X	X	X	X	X	X	X
2	56-A.100-0086	JOINT	X	X	X	X	X	X	X	X	X	X
3	56-A.130-0081	RACCORD 14x1/2" MALE	X	X	X	X	X	X	X	X	X	X
4	56-A.130-0092	SOUPAPE DE RETENUE ET SECURITE	X	X	X	X	X	X	X	X	X	X
5	56-A.140-0007	SERRE-FILS	X	X	X	X	X	X	X	X	X	X
6	56-A.280-0042	THERMOSTAT DE REGLAGE	X	X	X	X	X	X	X	X	X	X
7	56-A.280-0014	RESISTANCE ELECTRIQUE 500 W	X	X	X	X	X					
7	56-A.280-0016	RESISTANCE ELECTRIQUE 1200 W						X	X	X	X	X
	56-A.900-0135	CABLE ALIMENTATION	X	X	X	X	X	X	X	X	X	X

Pour plus d'information sur nos succursales internationales, nos approbations, nos certifications et nos représentants locaux, veuillez consulter notre site Internet au [www.spxflow.com](http://www.spxflow.com). SPX FLOW, Inc. se réserve le droit d'incorporer nos plus récents concepts ainsi que tout autre modification importante sans préavis ou obligation. Les éléments décoratifs, matériaux de construction et les données dimensionnelles, tels qu'énoncés dans ce communiqué, sont fournis pour votre information seulement et ne doivent pas être considérés comme officiels à moins d'avis contraire par écrit.



Made by SPX FLOW Johnson Pump®

RELIABILITY ON BOARD  
-SINCE 1968-



El calentador **AquaH Marine** se hace en 5 modelos diferentes, (de 22 a 80 lt) y 2 tipos distintos de alimentación eléctrica (500w Y 1200w), para satisfacer cualquier exigencia de instalación y uso.

### 1. PRECAUCIONES GENERALES

Las indicaciones siguientes se refieren a la seguridad de la instalación, al uso y al mantenimiento.

- El presente libro de instrucciones **constituyen parte integrante y esencial del aparato**, y deberá ser conservado con cuidado junto con el aparato para cualquier consulta.
- El aparato **ha sido construido para la producción de agua caliente**: cualquier otra aplicación es inadecuada y peligrosa.
- El aparato **no debe ser instalado en lugar húmedo, cuartos de baño, lavabos, duchas, piscinas, etc.**, preservándolo de salpicaduras, fugas de agua o de otros líquidos, para evitar averías en la parte eléctrica.
- La instalación deberá ser realizada por **personas profesionalmente adecuadas** responsables de las normas de seguridad vigentes. Un error en la instalación, sin cumplir las instrucciones del fabricante, **puede provocar daños** a personas, animales y objetos, por lo que el fabricante declina cualquier responsabilidad.
- Antes de conectar el aparato **comprobar si las características eléctricas** indicadas en la matrícula corresponden a las de la red eléctrica.
- Si el aparato se instala en un cuarto de baño, **en presencia de agua y humedad**, es necesario prestar atención a las distancias de seguridad según las normas **CEI-CEE**, teniendo cuidado en la colocación de interruptores u otros elementos eléctricos que no se salpiquen cuando se use el baño o la ducha. Evitar tocarlos con las manos mojadas o húmedas.
- No permitir que sea utilizado sin vigilancia por niños o incapaces.
- El embalaje (bolsas de plástico, poliestireno, grapas, etc.) **no deben dejarse al alcance de los niños** puesto que son potencialmente peligrosas.
- **Leer atentamente** las instrucciones y advertencias contenidas en este libro pudiendo ser importantes en cuanto seguridad, instalación, el uso y el mantenimiento.
- En el caso que el aparato deba ser **vendido o transferido** a otro propietario, asegurarse que el presente libro acompañe al aparato, de modo de poder ser consultado por el nuevo propietario y/o instalador.
- Para evitar los riesgos de los daños a causa del **hielo**, en el caso de dejar el aparato sin usar durante un largo periodo de tiempo en un lugar de ambiente no acondicionado, es aconsejable vaciarlo de agua completamente. El fabricante declina cualquier

responsabilidad de daños o roturas a causa del hielo y de las pérdidas de agua de la instalación.

- Para obtener mejores resultados y el **reconocimiento de la garantía** le recomendamos seguir atentamente las siguientes instrucciones.

### 2. CARACTERISTICAS TECNICAS

MODELOS	ALIMENTACION ELECTRICA	CAPACIDAD
56-47455-03	500 W - 230 V~	22 lt
56-47456-03	500 W - 230 V~	30 lt
56-47457-03	500 W - 230 V~	45 lt
56-47458-03	500 W - 230 V~	60 lt
56-47459-03	500 W - 230 V~	80 lt
56-47455-01	1200 W - 230 V~	22 lt
56-47456-01	1200 W - 230 V~	30 lt
56-47457-01	1200 W - 230 V~	45 lt
56-47458-01	1200 W - 230 V~	60 lt
56-47459-01	1200 W - 230 V~	80 lt

### 3. CONTENIDO POR EMBALAJE

El calentador se entrega embalado en una caja de cartón con sus oportunas protecciones. En el interior se entrega el presente libro de instrucciones.

### 4. DESCRIPCION DE FUNCIONAMIENTO

La función del aparato es coseguir calentar el agua sanitaria de dos maneras diferentes:

1. a través del intercambio de calor del agua del circuito de enfriamiento del motor de la embarcación y el agua que contiene el deposito, intercambio que es posible a través de un serpentín intercambiador. La circulación del agua de enfriamiento del motor es completamente estanca respecto al agua de uso sanitario gracias al serpentín, colocado en el centro del deposito de modo de uniformar la distribución del calor.
2. a través de una resistencia eléctrica (ya dotado con el aparato).

#### Partes principales:

- **Deposito** (fig. 4-1): está construido en acero inoxidable AISI 316L.
- **Revestimiento**: Muy resistente a golpes y agresiones externas, pero al mismo tiempo, de aspecto muy agradable. Se compone de 2 partes de plástico negro y una parte central de acero inoxidable.
- **Aislamiento**: Realizado en poliuretano expandido de célula cerrada de elevado espesor (2 cm), permite evitar dispersiones inútiles de calor del agua sanitaria contenida en el interior. Con este sistema la dispersión del calor por inercia térmica esta reducida a 1°C por cada hora durante las 24 horas.
- **Intercambiador de calor** (fig. 4-2): construido en acero inoxidable AISI 316L, esta en el grado de conseguir el máximo de calor contenido en el agua de enfriamiento que proviene del motor de la embarcación, de modo de asegurar la producción de agua caliente sanitaria aun con condiciones limites (salto térmico muy reducido).
- **Resistencia eléctrica**(fig. 4-3) : para permitir la posibilidad de calentar agua aunque el motor esté apagado, por ejemplo cuando la embarcación está atracada en puerto, en el aparato hay una resistencia eléctrica de 1200W-230V~ o 500W-230V~.
- **Material**: aleación en INCOLOY resistente a la corrosión

## 5. COMPONENTES DE CONTROL Y SEGURIDAD

- **Válvula de retención y seguridad** (fig. 5-1): Esta válvula desempeña la doble función de retención, es decir impide al agua contenida en el depósito que circule hacia atrás por la tubería de agua fría que alimenta el calentador, y seguridad al proteger el depósito o boiler de eventuales presiones excesivas que pueden formarse en su interior a causa del calentamiento del agua, permitiendo la válvula el escape del agua a sobre presión por el agujero de descargado situado en la válvula.

### Datos técnicos

<b>Cuerpo</b>	en latón Ot 58
<b>Taratura</b>	800 ± 50 kpa 8.0±0.5 bar 116±7 psi

- **termostato de máxima temperatura** (fig. 5-2): está montado directamente sobre la resistencia eléctrica y cumple la doble función de:

1. **regulación:** es decir que interrumpe la alimentación a la resistencia eléctrica cuando el agua en el interior del depósito ha alcanzado la temperatura fijada (la cual se puede regular de 0°C a 70°C, según las exigencias del usuario).
2. **seguridad:** ya que interrumpe la alimentación a la resistencia eléctrica, cuando por un mal funcionamiento dado, la temperatura del agua en el interior del depósito alcanza los 90°C. Para restablecer el funcionamiento normal es necesaria una intervención manual (reinicio manual).

Intervalo de regulación	de 0 °C (pos.1) a 70 °C (pos.5)
Diferencial de temperatura	acerca de 9 °C
Temperatura de intervención	90 °C
Potencia eléctrica maxi.	20 A
Temperatura maxi.	120 °C

## 6. PIEZAS CONSTITUTIVAS (fig. 6-1)

1. Tapa de protección de la resistencia
2. Guarnición
3. Racor 14x1/2" m
4. Válvula de retención y seguridad 1/2"
5. Para cable
6. Termostato
7. Resistencia eléctrica
8. Depósito aislado con tapas de plástico

## 7. RECOMENDACIONES PARA LA INSTALACIÓN

- La instalación deberá ser efectuada por personal cualificado y preparado según las normativas vigentes, en el grado de asegurar, además de la correcta marcha del aparato, las necesarias verificaciones antes de la primera puesta en marcha respecto a toda la instalación.
- Durante la instalación o en el caso de intervención por mantenimiento, observar atentamente las instrucciones contenidas en el presente manual. La modificación del montaje y no respetar las instrucciones provocan de inmediato la anulación de la garantía.
- Antes de toda instalación, mantenimiento o reparación, interrumpir la alimentación eléctrica.

## 8. POSICIONAMIENTO Y INSTALACION

Cuatro agujeros de fijación están presentes en la caja de plástico (fig. 8-1).. De esta manera se asegura una instalación fácil, pero firme y segura.

El aparato puede ser instalado en cualquier posición, siempre y cuando sea orientado de modo tal de tener siempre el intercambiador y/o la resistencia eléctrica en la parte más baja posible.

- **Posicionamiento:** El aparato puede ser instalado en cualquier posición, siempre y cuando sea orientado de modo tal de tener siempre el intercambiador y/o la resistencia eléctrica en la parte más baja posible) y en cualquier lugar, sin ninguna limitación respecto a esta condición. Ello no dispensa de observar las disposiciones citadas en el párrafo "PRECAUCIONES GENERALES", presentes al inicio de este manual.

### POSICION CORRECTA (fig. 8-2 e fig. 8-3)

**PARA OTROS TIPOS DE INSTALACIONES QUE NO SE DESCRIBAN EN ESTE MANUAL, SE ACONSEJA CONTACTAR A NUESTRA OFICINA TECNICA.**

**PARA ULTERIORES INFORMACIONES SOBRE LA INSTALACIÓN EN PAREDES INCLINADAS SE ACONSEJA CONTACTAR A NUESTRA OFICINA TECNICA.**

**CALIDAD DEL AGUA:** La vida del aparato estará mejor preservada si se respetan los parámetros siguientes, tal y como está previsto en la Directiva Europea 98/83/CE en materia de calidas de las aguas destinadas al uso humano:

- Dureza total: comprendida entre 15 y 50 °F (en particular en presencia de aguas que están bajo tratamiento calcareo o de desalinización)
- Cloruros : comprendidos entre 25 y 100 mg/l
- PH : comprendido entre 6,5 y 9,5
- Conductividad: comprendida entre 400 µS/cm y 1500 µS/cm

### DIMENSIONES (fig. 8-4)

Modelo	A	B	C	D	E	F
56-47455-01 56-47455-03	322	290	235	325	410	485
56-47456-01 56-47456-03	322	290	370	325	545	620
56-47457-01 56-47457-03	322	290	625	325	805	880
56-47458-01 56-47458-03	322	290	810	325	990	1065
56-47459-01 56-47459-03	322	290	1090	325	1270	1345

## 9. CONEXIÓN HIDRAULICA (fig. 9-1)

Presión mínima entrada agua sanitaria: 0,7 bar.

Conectar como el siguiente esquema:

1. entrada agua sanitaria (1/2")
2. salida agua caliente (1/2")
3. retorno agua del circuito enfriamiento del motor (1/2")
4. entrada agua del circuito enfriamiento del motor (1/2")

**Se aconseja aislar el conducto del agua caliente evitando dispersión de la energía.**



**Montaje de la válvula de seguridad:** la válvula (a instalar en la entrada de agua fría) es provista con el calentador. Conectarla en la entrada del agua fría. Para la instalación hay que extraer la tapa de plástico que protege la resistencia eléctrica (fig. 9.2 e fig. 9.3).



**IMPORTANTE:** no reemplazar la válvula de retención y seguridad de dotación con el aparato con una válvula antirretorno (clapet).

**ADVERTENCIA:** conecte el drenaje de agua de la válvula de una manguera de goma que tenga un Ø interior de 9,5 mm. Esta manguera de drenaje debe ser instalado con una pendiente continua hacia abajo y situado en un lugar protegido de hielo.

#### ESQUEMA DE MONTAJE (fig. 9-4)

- |                         |                          |
|-------------------------|--------------------------|
| 1. tanque               | 8. calentador            |
| 2. filtro de aspiración | 9. interruptor           |
| 3. bomba                | 10. válvula de cierre    |
| 4. batería              | 11. válvula de retención |
| 5. fusible              | 12. válvula de cierre    |
| 6. interruptor          | 13. motor de barco       |
| 7. contenedor a presión |                          |

#### 10. CONEXIÓN ELÉCTRICA

El aparato va conectado eléctricamente a una red de alimentación a 230 V~, monofase, con una eficaz toma de tierra.

Conexiones eléctricas (fig. 10-1):

F .....fase

N .....neutro



**EL FABRICANTE NO PUEDE SER CONSIDERADO RESPONSABLE POR LOS EVENTUALES DAÑOS CAUSADO POR LA FALTA DE TOMA DE TIERRA DE LA INSTALACIÓN.**

Montar cerca del aparato un interruptor de acción bipolar para eventuales paros generales del aparato.

Conectar un cable de alimentación al aparato cuidando respetar las normas eléctricas del país en el cual el aparato es instalado. En el caso de sustituir el cable eléctrico de alimentación utilizar exclusivamente un cable de las mismas características. (cable H05 VV-F – 3x1,5 mmq).



**IMPORTANTE:** Antes de iniciar la maniobra en el termostato es indispensable desenchufar el aparato de la red eléctrica.

#### 11. INSTRUCCIONES PARA EL USUARIO (fig. 10-1)

El termostato está montado directamente sobre la resistencia eléctrica y cumple la doble función de:

- regulación: es decir que interrumpe la alimentación a la resistencia eléctrica cuando el agua en el interior del depósito ha alcanzado la temperatura fijada (la cual se puede regular de 0°C a 70°C, según las exigencias del usuario).

R pulsante per riarmo

T regolazione temperatura

1 .....min

5 .....max

- seguridad: ya que interrumpe la alimentación a la resistencia eléctrica, cuando por un mal funcionamiento dado, la temperatura del agua en el interior del depósito alcanza los 90°C. Para restablecer el funcionamiento normal es necesaria una intervención manual (reinicio manual). En tal caso proceder como sigue :
  - interrumpir la alimentación eléctrica
  - retirar la protección de la resistencia
  - oprimir el botón de reinicio del termostato
  - volver a montar la protección de la resistencia
  - Restablecer la alimentación eléctrica



**IMPORTANTE:** Encender la resistencia eléctrica solamente si el calentador está lleno de agua. La resistencia eléctrica no está concebida para funcionar a seco.

#### 12. MANTENIMIENTO DEL APARATO

Para asegurar la seguridad del aparato y prolongar su duración se aconseja de hacerlo controlar en un centro de asistencia autorizado al menos una vez al año.

#### 13. GARANTIA

La garantía es válida a condición de que se respeten las normas de instalación y todo lo indicado en el presente libro. La garantía para todos los elementos es de 36 meses desde la fecha de fabricación, impreso en la etiqueta del aparato. A fin de asegurarse de su seguridad y garantía se recomienda de sustituir siempre por componentes originales y de dirigirse a los Centros de Asistencia Autorizados.

#### 14. ACCESORIOS SUMINISTRADOS A PETICIÓN

cod. 56-47464-01 : KIT MEZCLADOR TERMOSTATICO AQUAH (fig. 14-1)

Permite regular una temperatura constante de salida del aparato (regulable entre 21°C y 70°C).

Cod. 56-A.BGOM: KIT DE CONEXIÓN PORTAGOMA AQUAH (fig. 14-2)

Permite efectuar las conexiones hidráulicas con tubos de goma en lugar de conexión de rosca.

## 15. PIEZAS DE REPUESTO (fig. 15-1)

			500 W					1200 W				
			22 lt	30 lt	45 lt	60 lt	80 lt	22 lt	30 lt	45 lt	60 lt	80 lt
1	56-A.020-0052	TAPA DE PROTECCIÓN	X	X	X	X	X	X	X	X	X	X
2	56-A.100-0086	GUARNICIÓN	X	X	X	X	X	X	X	X	X	X
3	56-A.130-0081	RACCOR 14X1/2" M	X	X	X	X	X	X	X	X	X	X
4	56-A.130-0092	VÁLVULA DE RETENCIÓN Y SEGURIDAD	X	X	X	X	X	X	X	X	X	X
5	56-A.140-0007	PARA CABLE	X	X	X	X	X	X	X	X	X	X
6	56-A.280-0042	TERMOSTATO	X	X	X	X	X	X	X	X	X	X
7	56-A.280-0014	RESISTENCIA ELÉCTRICA 500 W	X	X	X	X	X					
7	56-A.280-0016	RESISTENCIA ELÉCTRICA 1200 W						X	X	X	X	X
	56-A.900-0135	CABLE ALIMENTACIÓN	X	X	X	X	X	X	X	X	X	X

Para más información sobre nuestras oficinas a nivel mundial, aprobaciones, certificaciones y representantes locales, por favor visite [www.spxflow.com](http://www.spxflow.com). SPX FLOW, Inc. se reserva el derecho de incorporar nuestro diseño más reciente y cambios materiales sin necesidad de notificación previa u obligación de ningún tipo. Características de diseño, materiales de construcción y dimensiones, tal y como están descritas en este boletín, son proporcionadas sólo con fines informativos y no deben ser usados como referencia a menos que sean confirmados por escrito.



Made by SPX FLOW Johnson Pump®

RELIABILITY ON BOARD  
-SINCE 1968-



Die **Warmwasserbereiter AquaH Marine** sind zur Verfügung auf 5 verschiedene Fassungsvermögen (von 22 bis 80 L) und auf 2 verschiedene Spannungen (500 W und 1200 W), um jede Installations und Verwendungsbedürfnisse zu ersetzen.

### 1. ALLGEMEINE VORSICHTEN

Die folgenden Anweisungen handeln von der Installations, Gebrauch und Instandhaltenssicherheit:

- Diese Gebrauchsanweisung ist **wesentlich und hauptsächlich Bestandteil der Anlage** und man wird es sorgfältig neben die Anlage für weitere Nachsehen aufbewahren.
- Die Anlage **ist für die Warmwasserbereitung hergestellt worden** : jede andere Benutzung ist nicht fähig und gefährlich.
- Die Anlage muss nicht **in feuchten Räumen, Badewannen, Waschbecken, Düschen, Schwimmbaden** und so weiter eingesetzt werden. Man soll sie von Wasserstrahlen oder von anderen Flüssigen beschützt, um Anomalien der elektrischen Geräten zu vermeiden.
- Die Installation muss von **angelernten Personal** (verantwortlich für die Befolgung der geltenden Sicherheitsregeln) getan. Eine falsche Installation, ohne die Anweisungen der Hersteller zu achten, **kann Personen, Tieren oder Sachschaden verursachen** aber der Hersteller ist auf diesen Fälle nicht verantwortlich.
- Bevor die Anlage anschliessen, **muss man die elektrischen Eigenschaften** (sie befinden sich auf der Registriertnummeretikett), die mit deren elektrische Versorgungsnetz übereinstimmen sollen, **überprüfen**.
- Wenn der Warmwasserbereiter in einem Badezimmer (oder wenn es Wasser oder Feuchtigkeit gibt) eingesetzt worden ist, notwendig ist es die **CEI-CEE** Sicherheitsabständen zu achten. Man soll achten, dass Schalter und andere elektrische Steuerungen weit von, wem das Badezimmer oder die Dusche gerade benutzt, sind. Man darf nicht die Anlage mit nassen oder feuchten Hände berühren.
- Kinder oder unfähige Menschen ohne Aufsicht dürfen die Anlage nicht benutzen.
- Die Verpackungstücken (Plastiktüte, Polystyrol, Schellen, und so weiter) **dürfen weit von Kindern stehen**, weil sie gefährlich sind.
- **Man muss** die Gebrauchsanweisung **aufmerksam lesen**, weil wichtige Informationen über die Sicherheit, Installation, Gebrauch und Instandhalten dadrin sich befinden.

- Wenn die Anlage **verkauft oder gegangen über einen neuen Besitzer worden sein**, muss man achten, dass diese Gebrauchsanweisung zusammen mit der Anlage bleibt, so dass der neue Besitzer und Installateur sie nachlesen können.
- Um Beschädigungsrisiken wegen des **Frosts** zu vermeiden, wenn die Anlage länger in nicht beheizten Räumen steht, ist es besser die Anlage völlig auszuleeren. Der Hersteller ist nicht verantwortlich für Mangel oder Schaden wegen des Frost oder Wasserentweichen von der Anlage.
- Wir beraten Euch die Anweisungen aufmerksam zu achten, um die beste Leistung und **die Anerkennung der Garantie** zu erreichen.

### 2. TECHNISCHE EIGENSCHAFTEN

MUSTER	SPANNUNG	FASSUNGSVERMÖGE
56-47455-03	500 W - 230 V~	22 lt
56-47456-03	500 W - 230 V~	30 lt
56-47457-03	500 W - 230 V~	45 lt
56-47458-03	500 W - 230 V~	60 lt
56-47459-03	500 W - 230 V~	80 lt
56-47455-01	1200 W - 230 V~	22 lt
56-47456-01	1200 W - 230 V~	30 lt
56-47457-01	1200 W - 230 V~	45 lt
56-47458-01	1200 W - 230 V~	60 lt
56-47459-01	1200 W - 230 V~	80 lt

### 3. VERPACKUNGSINHALT

Die Anlage wird in einer Pappeschachtel zusammen mit geeigneten Beschützungen beliefert. Drinnen gibt es die Anlage und diese Gebrauchsanweisung.

### 4. FUNKTIONAL UND BAULICH BESCHREIBUNG

diese Anlage kann das Sanitärwasser auf 2 verschiedene Weisen erhitzen:

1. Wärmeaustausch zwischen Wasser aus dem Kühlkreis des Motor des Boot und das Wasser des Kocher: Das Austausch wird durch einen Wärmeaustauscher geführt. Das Kühlwasser des Motors läuft in einer Rohrschlange aus Kupfer, die in der Mitte der Warmwasserbereiter sich befindet, um eine gleichförmige Erwärmung zu erreichen.
2. Durch einen elektrischen Widerstand (ausgerüstet mit der Anlage).

#### Hauptstücken:

- **Tank (fig. 4-1)**: er ist aus Edelstahl AISI 316L.
- **Äussere Verkleidung**: hohe Widerstand zu Stossen und äussere Belastungen aber gleichzeitig hat es ein schönes Aussehen. Es besteht aus zwei Teilen aus schwarzem Kunststoff und eine zentrale Rolle aus Edelstahl.
- **Wärmedämmung**: eine 2 cm dicke Isolierung aus Polyurethan mit geschlossene Zellen hilft der Wärme des Sanitärwasser sich nicht verlaufen : dank diesen System werden die Streuungen wegen der Wärmeträgheit bis zu 1°C jede Stunde in einem Tag reduziert.
- **Wärmeaustauscher (fig. 4-2)** : er wird aus Edelstahl 316L hergestellt und er kann die Wärme des Kühlwasser des Motor völlig ausnutzen, so gibt es

immer wärme Wasser, auch in starke Wetterlagen (verringerte Warmesprünge).

- **Elektrische Widerstand (fig. 4-3):** das Wasser wird, auch wenn der Motor nicht läuft, erhitzt Z.B wenn das Boot im Hafen bleibt. In der Anlage steht eine elektrische Widerstand von 1200W-230V~ oder 500W-230V~.

Material: Legierung aus korrosionsbeständig INCOLOY.

**5. SICHERHEIT UND KONTROLLE BESTANDTEILEN**

- **Prüfungssicherheitsventil (fig. 5-1):** Es hat 2 Rollen, erst verhindert, dass das Wasser drinnen dem Boiler geht zu der Leistungen des kalten Wasser zurück, und Sicherheit, weil es den Warmwasserbereiter gegen eventuelle Drücken, die drinnen dem Tank wegen der Erhitzung verursacht sein werden, schützt.

Technische daten

<b>Masse</b>	aus Messing Ot 58
<b>Eichung</b>	800 ± 50 kpa 8.0±0.5 bar 116±7 psi

- **Höchsttemperatur Thermostat (fig. 5-2):** er wird direkt zur Widerstrand installiert und hat 2 Rollen:

1. **Einstellung** und zwar der Thermostat unterbricht die elektrische Ström, wenn der Tank die Temperatur, die der Benutzer entschlossen hat, erreicht. Man kann die Temperatur von 0°C bis 70°C, je nach Bedürfnissen von Benutzer, regeln.
2. **Sicherheit** und zwar der Thermostat unterbricht die elektrische Ström, wenn die Temperatur des Wasser drinnen des Tankes 90°C wegen jeder Funktionsstörung erreicht. Man kann die Anlage mit der Hand wiederherstellen (Manual Reset).

Temperaturauswahl	von 0 °C (pos.1) bis 70 °C (pos.5)
Temperaturdifferential	zirka 9 °C
Sicherheits-Temperaturbegrenzer	90 °C
Höchste elektr.Sröm	20 A
Höchste Temperatur	120 °C

**6. EXPLODIERTE ANBLICK (fig. 6-1)**

1. Schützende Kappe
2. Dichtungsring
3. Verbindung 14x1/2" M
4. Prüfungssicherheitsventil 1/2"
5. Kabelhalter
6. Thermostat
7. Elektrische Widerstand
8. Tank mit Isolation und zwei Teilen aus schwarzem Kunststoff

**7. INSTALLATIONSANWEISUNGEN**

- Die Installation muss vom angelehrten Personal, verantwortlich für die Befolgung der geltenden Sicherheitsregeln, getan sein, um eine richtige Arbeitweise und die notwendige bevor Nutzung Prüfungen gewährzuleisten.
- Während der Installation und der Unterhaltungsarbeiten, soll man diese Gebrauchsanweisung aufmerksam achten. Jede

Änderungen der Verbindungen und wenn diese Gebrauchsanweisung nicht geachtet wird, wird die Garantie sofort verfallen.

- Bevor jeder Installation und Unterhaltungsarbeiten oder Aussebetterungen, soll man die elektrische Strömung wegnehmen.

**8. POSITIONIEREN UND BEFESTIGUNG**

Die Kunststoff-Abdeckung ist mit 4 Befestigungsbohrungen schwarz (fig. 8-1). Auf dieser Weise kann man eine einfache und sichere Installation erzielen.

Wir empfehlen die Verwendung einer Metall-Unterlegscheibe unter der Mutter.

Die Anlage kann auf jede Stellung installiert worden aber der Austausch und-oder der elektrische Widerstand muss auf der tieferer Stelle stehen.

- **Positionieren:** die Anlage kann auf jede Stelle installiert worden sein (der Austausch und-oder der elektrische Widerstand muss auf der tieferer Stelle stehen) und auch in jedes Raum ohne Beschränkung. Das befreit man nicht die Anweisungen der Abschnitt "Allgemeine Vorsichten"(am Anfang der Gebrauchsanweisung)zu achten.

**RICHTIGE STELLUNGEN (fig. 8-2 e fig. 8-3) FÜR JEDE ANDERE STELLUNG, DIE IN DER GEBRAUCHANWEISUNG NICHT ERKLÄRT WIRD, SOLL MAN MIT UNSEREM TECHNISCHEN BÜRO IN VERBINDUNG SETZEN.**

**FÜR WEITERE INFORMATIONEN ÜBER DIE INSTALLATION AN GENEIGTEN WÄNDE, SOLL MAN MIT UNSEREM TECHNISCHEN BÜRO IN VERBINDUNG SETZEN.**

**QUALITÄT DER WASSER:** Das Gerät wird länger dauern, wenn die folgenden Parameter verfolgt werden, wie von dem europäischen Grundsatz 98/83/EG (über die Qualität von Wasser für den menschlichen Verzehr) vorgesehen ist.

- Insgesamt Wasserhärte: zwischen 15 und 50 ° F (vor allem für Wasser zur Entsalzung oder Erweichung ausgesetzt)
- Chloride: zwischen 25 und 100 mg/l
- PH: zwischen 6,5 und 9,5
- Leitfähigkeit: zwischen 400 und 1500 µS/cm

**GRÖSSE (fig. 8-4)**

Muster	A	B	C	D	E	F
56-47455-01 56-47455-03	322	290	235	325	410	485
56-47456-01 56-47456-03	322	290	370	325	545	620
56-47457-01 56-47457-03	322	290	625	325	805	880
56-47458-01 56-47458-03	322	290	810	325	990	1065
56-47459-01 56-47459-03	322	290	1090	325	1270	1345



## 9. HYDRAULISCHE VERBINDUNGEN (fig. 9-1)

Minimaler Wassereingangsdruck: 0,7 bar.

Verbinden wie in der Schemen gezeigt wird:

1. kalte Wasser ein (1/2")
2. warme Wasser aus (1/2")
3. Wasserrücklauf zu dem Kühlungskreislauf des Motor (1/2")
4. Wasserzufuhr des Kühlungskreislauf des Motor (1/2")

**Man berätet die kalte Wasserleistungen abzusondern, um elektrische nutzlose Verschwenderungen zu vermeiden.**

**Montage des Überdruck- und Rückschlagventils:** Das Ventil ist Standard bei dem Boiler mitgeliefert. Es ist nicht auf den Boiler aufgestellt. Man muss es auf den Eintrag von kaltem Wasser bei der Installation des Gerätes montieren. Zur Installation muss man die schwarze Kappe entfernen (fig. 9.2 e fig. 9.3).



**WICHTIG:** man soll nicht das Prüfungssicherheitsventil der Anlage mit einem Rückschlagventil (clapet) austauschen.



**WICHTIG:** Schließen Sie den Wasserablauf des Sicherheitsventils zu einem Gummischlauch (Innen-Ø von 9,5 mm). Dieser Schlauch muss geneigt nach unten installiert werden und auf einem Ort, den geschützt vor der Bildung von Eis ist.

### SCHALTPLAN (fig. 9-4)

- |                              |                      |
|------------------------------|----------------------|
| 1. Wassertank                | 8. Boiler            |
| 2. Saugfilter                | 9. Schalter          |
| 3. Pumpe                     | 10. Absperr-Ventil   |
| 4. Akku                      | 11. Rückschlagventil |
| 5. Sicherung                 | 12. Absperr-Ventil   |
| 6. Schalter                  | 13. Motor            |
| 7. statischer Druck Behälter |                      |

## 10. ELEKTRISCHE VERBINDUNGEN

Die Anlage wird mit einem elektrischen einphasigen Stromnetz 230 V~ und eine gute Erdung.

Elektrische Klemmen (fig. 10-1) :

- L ..... Phase  
N ..... Neutral



**DER HERTSELLER IST NICHT VERANTWORTLICH FÜR EVENTUELLE SCHADEN, DIE DURCH KEINE ERDUNG DER ANLAGE VERURSACHT WERDEN.**

Man soll neben die Anlage einen bipolaren Schalter installieren, um ein allgemeines Anhalten entgegenzutreten.

Man soll die elektrischen Stromkabel der Anlage verbinden und man muss die elektrische Regeln des Landes, wo die Anlage installiert wird, achten. Wenn man das Kabel austauschen soll, ist es notwendig ein Kabel, die gleiche Eigenschaft hat, zu nutzen. (Kabel H05 VV-F - 3x1,5 mm).



**WICHTIG:** Bevor Sie mit dem Thermostat arbeiten, versichern Sie sich bitte davon, dass die Elektrizität komplett abgeschaltet worden ist!

## 11. GEBRAUCHANWEISUNGEN

In der Widerstandskraft wird ein Einstellung und Sicherheitsthermostat installiert. Es hat 2 Rollen:

1. Einstellung, und zwar unterbricht den elektrischen Strom, wenn das Wasser drinnen dem Tank die gewechselte Temperatur erreicht hat (man kann jede Notwendigkeit, von 0°C bis 70°C wechseln).

R manuelle Rückstellung

T Temperatur wechseln

1 .....min

5 .....max

2. Sicherheit, und zwar unterbricht den elektrischen Strom zu der Widerstandskraft, wenn die Temperatur drinnen dem Tank wegen jeder Mißarbeitweise 90°C erreicht. Um die Anlage wiederzuarbeiten (Manual Reset), ist es notwendig ein Handangriff. Man soll folgend machen:

- a. Man muss den elektrischen Strom unterbrechen
- b. Die schützende Kappe des Widerstandkraft wegnehmen
- c. Den Schalter des Handangriff drücken
- d. Die schützende Kappendes Widerstandkraft wiedernehmen
- e. Den elektrischen Strom wiederarbeiten



**ACHTUNG:** Schalten Sie den elektrischen Widerstand ein, wenn der Boiler Wasser enthält. Der elektrischer Widerstand ist nicht um zu trocken bearbeiten.

## 12. INSTANDHALTUNG

Man soll die Anlage einmal im Jahr vom technischen Personal prüfen, um die Sicherheit und die Dauerhaftigkeit der Anlage zu verlängern.

## 13. GARANTIE

Die Garantie gilt unter die Bedingung, dass die Installationsanweisungen und alles, was in dem Gebrauchsanweisung steht, gefolgt wird.

Die Garantie für die Stücke dauert 36 Monate von dem Herstellungstag, der sich auf dem Registriertnummerticket des Apparats befindet.

Es ist sehr wichtig, für die Sicherheit und die Garantie, mit der berechtigtem Hilfezentrum in Verbindung setzen und originelle Ersatzteilen nutzen.

## 14. AUF WUNSCH ZUBEHÖRTEILEN

cod. 56-47464-01 : AQUAH TERMOSTATISCHER MISCHER KIT (fig. 14-1)

Man kann eine anhaltende Temperatur des Wasser aus der Anlage wechseln (zwischen 21°C und 70°C).

Cod. 56-A.BGOM : AQUAH SCHLAUCHE VERBINDUNGSSTÜCKEN KIT (fig. 14-2)

Man kann hydraulischen Verbindungen mit Schlauchen und keine gewinde Anschlusstücke nutzen.

## 15. HAUPTERSATZTEILEN

			22 lt	30 lt	45 lt	60 lt	80 lt	22 lt	30 lt	45 lt	60 lt	80 lt
			500 W	500 W	500 W	500 W	500 W	1200 W	1200 W	1200 W	1200 W	1200 W
			56-47455-03	56-47456-03	56-47457-03	56-47458-03	56-47459-03	56-47455-01	56-47456-01	56-47457-01	56-47458-01	56-47459-01
1	56-A.020-0052	Kappe	X	X	X	X	X	X	X	X	X	X
2	56-A.100-0086	Dichtung	X	X	X	X	X	X	X	X	X	X
3	56-A.130-0081	Verbindung 14x1/2" M	X	X	X	X	X	X	X	X	X	X
4	56-A.130-0092	Prüfungssicherheitsventi	X	X	X	X	X	X	X	X	X	X
5	56-A.140-0007	Kabelhalter	X	X	X	X	X	X	X	X	X	X
6	56-A.280-0042	Thermostat	X	X	X	X	X	X	X	X	X	X
7	56-A.280-0014	Elektrische Widerstand 500 W	X	X	X	X	X					
7	56-A.280-0016	Elektrische Widerstand 1200 W						X	X	X	X	X
	56-A.900-0135	Netzkabel	X	X	X	X	X	X	X	X	X	X

Für weitere Informationen über unsere weltweiten Standorte, Zulassungen, Zertifizierungen und unsere Vertreter vor Ort, besuchen Sie bitte unsere Webseite: [www.spxflow.com](http://www.spxflow.com). Die SPX FLOW, Inc. behält sich das Recht vor, die neuesten Konstruktions- und Werkstoffänderungen ohne vorherige Ankündigung und ohne Verpflichtung hierzu einfließen zu lassen. Konstruktive Ausgestaltungen, Werkstoffe sowie Maßangaben, wie sie in dieser Mitteilung beschrieben sind, sind nur zur Information. Alle Angaben sind unverbindlich, es sei denn, sie wurden schriftlich bestätigt.



Made by SPX FLOW Johnson Pump®

RELIABILITY ON BOARD  
-SINCE 1968-



Gli **scalda-acqua AquaH Marine** sono disponibili in 5 diverse capacità (da 22 a 80 L) ed in 2 differenti tipi di alimentazione elettrica (500 w e 1200 W), per cercare di supplire ad ogni esigenza di installazione e utilizzo.

### 1. PRECAUZIONI DI USO GENERALE

Le indicazioni che seguono riguardano la sicurezza di installazione, di uso e di manutenzione:

- il presente libretto di istruzioni **costituisce parte integrante ed essenziale dell'apparecchio**, e dovrà essere conservato con cura nei pressi dell'apparecchio stesso per ulteriori consultazioni.
- l'apparecchio è **stato costruito per la produzione di acqua calda**: qualsiasi altro tipo di utilizzo è da ritenere non idoneo e pericoloso.
- l'apparecchio **non va installato in ambienti umidi, vasche da bagno, lavandini, docce, piscine, ecc.**, va preservato da spruzzi, getti d'acqua o altri liquidi, per evitare anomalie alle apparecchiature elettriche.
- l'installazione deve essere effettuata da **personale professionalmente qualificato** responsabile del rispetto delle norme di sicurezza vigenti. Un'errata installazione, senza l'osservanza delle istruzioni date dal costruttore, **può provocare danni** a persone, animali o cose, per le quali il costruttore respinge ogni responsabilità.
- prima di collegare l'apparecchio **accertarsi che le caratteristiche elettriche** riportate nella etichetta matricola siano corrispondenti a quelli della rete di distribuzione elettrica.
- se l'apparecchio è installato in una stanza da bagno, o in **presenza di acqua o umidità**, è necessario prestare attenzione alle distanze di sicurezza indicate dalle norme **CEI-CEE**. Inoltre fare attenzione affinché interruttori e altri comandi di tipo elettrico non siano raggiungibili da chi sta usando il bagno o la doccia. Evitare di toccare l'apparecchio con mani bagnate o umide.
- non permettere che sia utilizzato da bambini o incapaci, senza sorveglianza.
- le parti dell'imballo (sacchetti di plastica, polistirolo, graffe, ecc.) **non devono essere lasciate alla portata dei bambini** in quanto potenziali fonti di pericolo.
- **leggere attentamente** le istruzioni ed avvertenze contenute nel presente libretto in quanto forniscono importanti informazioni riguardanti la sicurezza, l'installazione, l'uso e la manutenzione.
- nel caso l'apparecchio dovesse essere **venduto o trasferito** ad un altro proprietario, assicurarsi che il presente libretto accompagni lo stesso, in modo da poter essere consultato dal nuovo proprietario e/o installatore.

- per evitare rischi di danneggiamento a causa del **gelo**, nel caso si preveda di lasciare l'apparecchio inutilizzato per un lungo periodo in un ambiente non riscaldato, è consigliabile svuotarlo completamente. Il costruttore declina ogni responsabilità da guasti o rotture di parti a causa del gelo e da fuoriuscite d'acqua dall'impianto.
- per ottenere il miglior risultato e il **riconoscimento della garanzia** vi raccomandiamo di seguire attentamente le istruzioni di seguito riportate.

### 2. DATI TECNICI

CODICE	ALIMENTAZIONE ELETTRICA	CAPACITA'
56-47455-03	500 W - 230 V~	22 lt
56-47456-03	500 W - 230 V~	30 lt
56-47457-03	500 W - 230 V~	45 lt
56-47458-03	500 W - 230 V~	60 lt
56-47459-03	500 W - 230 V~	80 lt
56-47455-01	1200 W - 230 V~	22 lt
56-47456-01	1200 W - 230 V~	30 lt
56-47457-01	1200 W - 230 V~	45 lt
56-47458-01	1200 W - 230 V~	60 lt
56-47459-01	1200 W - 230 V~	80 lt

### 3. CONTENUTO DELL'IMBALLO

L'apparecchio è consegnato imballato in una scatola di cartone con opportune protezioni. All'interno, oltre all'apparecchio, è presente il libretto istruzioni.

### 4. DESCRIZIONE FUNZIONALE E COSTRUTTIVA

La funzione dell'apparecchio è di consentire il riscaldamento dell'acqua sanitaria in due diversi sistemi:

1. tramite scambio di calore tra l'acqua proveniente dal circuito di raffreddamento del motore dell'imbarcazione e l'acqua contenuta all'interno del bollitore, scambio che avviene per mezzo di uno scambiatore di calore. La circolazione dell'acqua di raffreddamento del motore avviene in maniera completamente stagna rispetto all'acqua sanitaria contenuta nel bollitore grazie ad un serpentino, posto al centro del boiler in modo tale da avere un'uniforme distribuzione del calore.
2. tramite una resistenza elettrica (già in dotazione con l'apparecchio).

#### Parti principali:

- **Serbatoio** (fig. 4-1): è interamente realizzato in acciaio inox AISI 316L.
- **Rivestimento esterno**: molto resistente ad urti e sollecitazioni esterne, ma allo stesso tempo di aspetto molto gradevole. È costituito da due parti in plastica nera e da una parte centrale in acciaio inox.
- **Isolamento**: realizzato in poliuretano espanso a cellule chiuse di elevato spessore (2 cm), consente di evitare inutili dispersioni di calore dell'acqua sanitaria contenuta all'interno: con questo sistema le dispersioni per inerzia termica sono ridotte ad 1°C per ogni ora nell'arco delle 24 ore.
- **scambiatore di calore** (fig. 4-2): realizzato in acciaio inox 316L, permette di sfruttare al massimo il calore contenuto nell'acqua di raffreddamento proveniente dal motore dell'imbarcazione, in modo tale da assicurare la

produzione di acqua calda anche in condizioni limite (salti termici molto ridotti).

- **Resistenza elettrica** (fig. 4-3): per consentire la possibilità di riscaldare l'acqua anche a motore fermo, ad esempio quando l'imbarcazione si trova ferma in porto, sull'apparecchio è presente una resistenza elettrica da 1200W-230V~ o 500W-230V~. Materiale: lega di INCOLOY resistente alla corrosione.

## 5. COMPONENTI DI CONTROLLO E DI SICUREZZA

- **valvola di ritegno e sicurezza** (fig. 5-1): svolge la doppia funzione di ritegno, cioè impedisce all'acqua contenuta nel boiler di ritornare indietro nella tubazione dell'acqua fredda che alimenta l'apparecchio, e di sicurezza, per proteggere il boiler da eventuali pressioni eccessive che possono formarsi all'interno del serbatoio a seguito del riscaldamento dell'acqua, consentendo la fuoriuscita dell'acqua attraverso l'apposito foro di scarico presente nella valvola.

Dati tecnici

Corpo	Ottone Ot 58
Taratura	800 ± 50 kpa 8.0±0.5 bar 116±7 psi

- **termostato di massima temperatura** (fig. 5-2) : è montato direttamente sulla resistenza elettrica e svolge la duplice funzione di:

1. **termostato di regolazione:** interrompe l'alimentazione alla resistenza elettrica quando l'acqua all'interno del serbatoio ha raggiunto la temperatura impostata (che è possibile regolare da 0°C a 70°C, a seconda delle esigenze dell'utente).
2. **termostato di sicurezza:** interrompe l'alimentazione alla resistenza elettrica quando per un qualsiasi malfunzionamento, la temperatura dell'acqua all'interno del serbatoio raggiunge la temperatura di 90°C. Per ripristinare il normale funzionamento è necessario un intervento manuale (riarmo manuale).

Regolazione temperatura	da 0 °C (pos.1) a 70 °C (pos.5)
Differenziale temperatura	Circa 9 °C
Temperatura di sicurezza	90 °C
Massima corrente	20 A
Massima temperatura	120 °C

## 6. VISTA ESPLOSA (fig. 6-1)

1. protezione
2. guarnizione
3. raccordo 14x1/2" M
4. 1/2" valvola di ritegno e sicurezza
5. serra-cavo
6. termostato regolabile
7. resistenza elettrica
8. serbatoio completo di isolamento e fondi neri

## 7. RACCOMANDAZIONI PER L'INSTALLAZIONE

- l'installazione deve essere effettuata da personale qualificato ed abilitato secondo le normative vigenti, in grado di assicurare, oltre che la corretta messa in opera dell'impianto, le necessarie verifiche prima della messa in funzione ed il collaudo dell'impianto stesso.

- durante l'installazione o nel caso di interventi di manutenzione, osservare attentamente le istruzioni contenute nel presente manuale. Le modifiche dei collegamenti di ogni genere ed il mancato rispetto delle presenti istruzioni provocano l'immediato decadimento della garanzia.
- prima di ogni installazione, manutenzione, o riparazione, togliere l'alimentazione elettrica.

## 8. POSIZIONAMENTO E FISSAGGIO

La copertura in plastica nera è dotata di 4 fori di fissaggio (fig. 8-1). In questo modo si ottiene un'installazione semplice, ma robusta e sicura.

Si consiglia l'utilizzo di una rondella metallica da posizionare sotto il dado di fissaggio.

L'apparecchio può essere installato in qualsiasi posizione purché sia orientato in modo tale da avere sempre lo scambiatore e/o la resistenza elettrica nella parte più bassa possibile.

- **Posizionamento** : l'apparecchio può essere installato in qualsiasi posizione (purché sia orientato in modo tale da avere sempre lo scambiatore e/o la resistenza elettrica nella parte più bassa possibile) ed in qualunque tipo di locale, senza alcuna limitazione sulle condizio

**POSIZIONI CORRETTE** (fig. 8-2 e fig. 8-3)

**PER ALTRI TIPI DI INSTALLAZIONE NON CONTEMPLATE NEL PRESENTE LIBRETTO, E' CONSIGLIABILE CONTATTARE IL NS. UFFICIO TECNICO.**

**PER ULTERIORI INFORMAZIONI RIGUARDO L'INSTALLAZIONE IN PARETI INCLINATE E' CONSIGLIABILE CONTATTARE IL NS. UFFICIO TECNICO.**

**QUALITA' DELL'ACQUA:** L'apparecchio durerà più a lungo se saranno rispettati, come previsto dalla Direttiva Europea 98/83/CE, relativa alla qualità delle acque destinate al consumo umano, i seguenti parametri:

- durezza totale: compresa tra i 15 ed i 50 °F (in particolare per le acque sottoposte a trattamento di addolcimento o di dissalazione)
- cloruri : compresi fra 25 e 100 mg/l
- PH: compreso fra 6,5 e 9,5
- conducibilità: compresa fra 400 e 1500 µS/cm

## DIMENSIONI (fig. 8-4)

codice	A	B	C	D	E	F
56-47455-01 56-47455-03	322	290	235	325	410	485
56-47456-01 56-47456-03	322	290	370	325	545	620
56-47457-01 56-47457-03	322	290	625	325	805	880
56-47458-01 56-47458-03	322	290	810	325	990	1065
56-47459-01 56-47459-03	322	290	1090	325	1270	1345

## 9. COLLEGAMENTI IDRAULICI (fig. 9-1)

Pressione minima ingresso acqua : 0,7 bar.

Collegare come illustrato negli schemi indicati sotto :



1. entrata acqua fredda (1/2")
2. uscita acqua calda (1/2")
3. ritorno acqua circuito raffreddamento motore (1/2")
4. entrata acqua circuito raffreddamento motore (1/2")

**Si consiglia di isolare le condutture dell'acqua calda: si eviteranno così inutili sprechi di energia.**

**Montaggio valvola di ritegno/sicurezza:** La valvola è in dotazione all'apparecchio e non montata. E' necessario montarla sull'ingresso dell'acqua fredda al momento dell'installazione dell'apparecchio. Per il montaggio è necessario togliere il cappello di protezione della resistenza elettrica (fig. 9.2 e fig. 9.3)



**IMPORTANTE:** non sostituire la valvola di ritegno/sicurezza in dotazione con l'apparecchio con una valvola di non ritorno (clapet).



**IMPORTANTE:** collegare lo scarico dell'acqua della valvola di sicurezza ad un tubo in gomma con Ø interno di 9,5 mm. Tale tubo di scarico deve essere installato in pendenza continua verso il basso ed in un luogo protetto dalla formazione di ghiaccio.

#### SCHEMA DI MONTAGGIO (fig. 9-4)

- |                       |                        |
|-----------------------|------------------------|
| 1. serbatoio acqua    | 8. scaldacqua          |
| 2. filtro aspirazione | 9. interruttore        |
| 3. pompa              | 10. valvola di arresto |
| 4. batteria           | 11. valvola di ritegno |
| 5. fusibile           | 12. valvola di arresto |
| 6. interruttore       | 13. motore             |
| 7. vaso espansione    |                        |

#### 10. COLLEGAMENTI ELETTRICI

L'apparecchio va collegato elettricamente ad una rete di alimentazione a 230 V~, monofase, più una efficace messa a terra.

Morsetti di alimentazione (fig. 10-1):

- L ..... fase  
N ..... neutro



**IL COSTRUTTORE NON PUO' ESSERE CONSIDERATO RESPONSABILE PER EVENTUALI DANNI CAUSATI DALLA MANCANZA DI MESSA A TERRA DELL'IMPIANTO.**

Montare in prossimità dell'apparecchio un interruttore ad azione bipolare per l'eventuale arresto generale dell'apparecchio.

Collegare il cavo di alimentazione dell'apparecchio avendo cura di rispettare le norme elettriche del paese nel quale l'apparecchio viene installato. In caso di sostituzione del cavo elettrico di alimentazione utilizzare esclusivamente un cavo con le medesime caratteristiche (cavo H05 VV-F - 3x1,5 mm).



**ATTENZIONE:** Prima di intervenire sul termostato, assicurarsi di avere scollegato completamente l'alimentazione elettrica dell'apparecchio

#### 11. ISTRUZIONI PER L'USO (fig. 10-1)

Sulla resistenza è montato un bi-termostato che svolge la duplice funzione di:

1. regolazione, cioè interrompe l'alimentazione alla resistenza elettrica quando l'acqua all'interno del serbatoio ha raggiunto la temperatura impostata (che è possibile regolare da 0°C a 70°C, a seconda delle esigenze dell'utente).

- R pulsante per riarmo  
T regolazione temperatura  
1 .....min  
5 .....max

2. sicurezza, cioè interrompe l'alimentazione alla resistenza elettrica quando per un qualsiasi malfunzionamento, la temperatura dell'acqua all'interno del serbatoio raggiunge la temperatura di 90°C. Per ripristinare il normale funzionamento è necessario un intervento manuale (riarmo manuale). In tal caso procedere come segue:

- a. interrompere l'alimentazione elettrica
- b. togliere il cappello di protezione resistenza
- c. premere il pulsante di riarmo sul termostato
- d. rimontare il cappello di protezione resistenza
- e. ripristinare l'alimentazione elettrici



**ATTENZIONE:** accendere il riscaldamento elettrico dell'apparecchio solo con serbatoio pieno d'acqua. La resistenza elettrica non è predisposta per funzionare a secco.

#### 12. MANUTENZIONE

Per assicurarsi la sicurezza dell'apparecchio e prolungarne la durata si consiglia di farlo controllare da un tecnico specializzato almeno una volta l'anno.

#### 13. GARANZIA

La garanzia è valida a condizione che siano state rispettate le norme di installazione e tutto quello riportato nel presente libretto.

La garanzia sui componenti dura 36 mesi dalla data di produzione dell'apparecchio che è stampata sulla etichetta matricola dello stesso.

Ai fini della sicurezza e della garanzia si raccomanda di utilizzare per le sostituzioni componenti originali e di rivolgersi ai rivenditori autorizzati.

#### 14. ACCESSORI DISPONIBILI SU RICHIESTA

cod. 56-47464-01 : KIT MISCELATORE TERMOSTATICO AQUAH (fig. 14-1)

Permette di regolare una temperatura costante in uscita dall'apparecchio (regolabile tra 21°C e 70°C)

cod. 56-A.BGOM: KIT RACCORDI PORTAGOMMA AQUAH (fig. 14-2)

Permette, su tutti i modelli di effettuare i collegamenti idraulici con tubi in gomma anziché raccordi filettati.

## 15. PRINCIPALI PARTI DI RICAMBIO (fig. 15-1)

			22 lt	30 lt	45 lt	60 lt	80 lt	22 lt	30 lt	45 lt	60 lt	80 lt
			500 W	500 W	500 W	500 W	500 W	1200 W	1200 W	1200 W	1200 W	1200 W
			56-47455-03	56-47456-03	56-47457-03	56-47458-03	56-47459-03	56-47455-01	56-47456-01	56-47457-01	56-47458-01	56-47459-01
1	56-A.020-0052	PROTEZIONE	X	X	X	X	X	X	X	X	X	X
2	56-A.100-0086	GUARNIZIONE	X	X	X	X	X	X	X	X	X	X
3	56-A.130-0081	RACCORDO 14X1/2" M	X	X	X	X	X	X	X	X	X	X
4	56-A.130-0092	VALVOLA DI RITEGNO E SICUREZZA	X	X	X	X	X	X	X	X	X	X
5	56-A.140-0007	SERRA-FILO	X	X	X	X	X	X	X	X	X	X
6	56-A.280-0042	TERMOSTATO REGOLABILE	X	X	X	X	X	X	X	X	X	X
7	56-A.280-0014	RESISTENZA ELETTRICA 500 W	X	X	X	X	X					
7	56-A.280-0016	RESISTENZA ELETTRICA 1200 W						X	X	X	X	X
	56-A.900-0135	CAVO ALIMENTAZIONE	X	X	X	X	X	X	X	X	X	X

Per ottenere maggiori informazioni sulle nostre sedi nel mondo, autorizzazioni, certificazioni, e rappresentanti locali, potete visitare il sito [www.spxflow.com](http://www.spxflow.com). La SPX FLOW, Inc. si riserva il diritto di apportare cambiamenti ai propri design e materiali senza preavviso o vincolo. Le caratteristiche del design, i materiali di costruzione e i dati dimensionali, così come descritti nel presente bollettino, sono forniti solo per vostra informazione e non saranno oggetto di obbligazione salvo autorizzazione confermata per iscritto.



Made by SPX FLOW Johnson Pump®

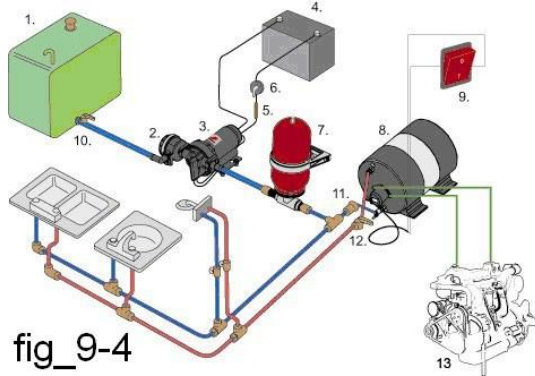
RELIABILITY ON BOARD  
-SINCE 1968-



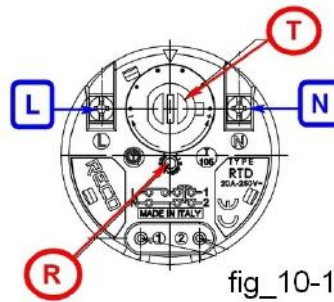
fig\_9-2



fig\_9-3



fig\_9-4



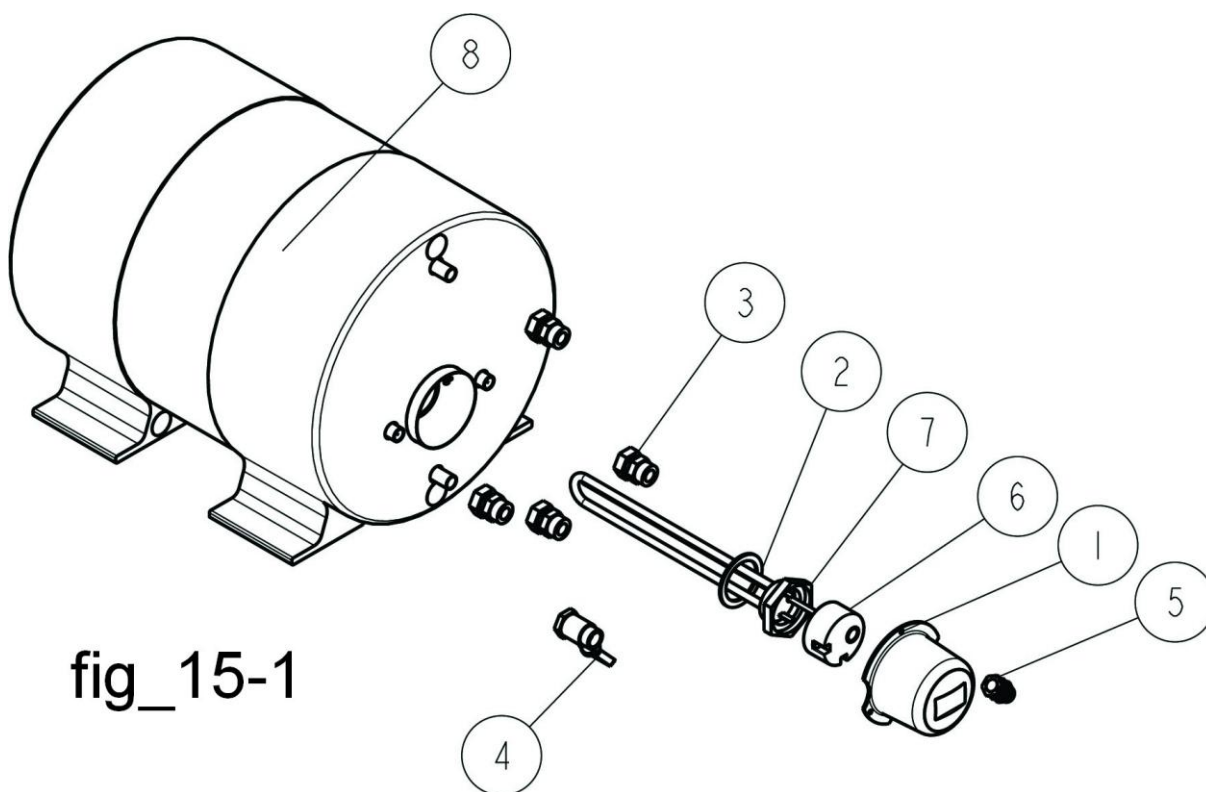
fig\_10-1



fig\_14-1



fig\_14-2



fig\_15-1

AquaH

MARINE WATER HEATERS

**SPXFLOW**

**Customer Service & Support - Johnson Pump Marine**

**US** +1 800 541 1418  
johnson-pump.americas.marine@spxflow.com

**SE** +46 19 21 83 10  
johnson-pump.marine@spxflow.com

**AUS** +61 03 9589 9222  
ft.aus.cs@spxflow.com

For more information about our worldwide locations, approvals, certifications, and local representatives, please visit [www.spxflow.com/johnson-pump-marine](http://www.spxflow.com/johnson-pump-marine)

---

SPX FLOW, Inc. reserves the right to incorporate our latest design and material changes without notice or obligation.

Design features, materials of construction and dimensional data, as described in this bulletin, are provided for your information only and should not be relied upon unless confirmed in writing. Please contact your local sales representative for product availability in your region. For more information visit [www.spxflow.com](http://www.spxflow.com).

The green "j" and "X" are trademarks of SPX FLOW, Inc.

---

IB-912/R07 (210-0329) ISSUED 01/2018  
COPYRIGHT © 2018 SPX FLOW INC.