

## W265 & W285 HTST

### FLOW DIVERSION VALVE

#### FEATURES AND BENEFITS

- Lower body streamlined for improved flow path and cleanability
- Flush Ports for easy cleaning
- Compact vertical design
- Works with existing control system
- High temperature Tef-Flow™ P seats
- Transparent WCB Control Top with or without solenoid
- Fully Maintainable Actuator
- 4", 5", or 6" diameter actuators
- S, I, or Q clamp connections
- Body clamps standard "S" style

#### APPLICATION

For use in HTST (High Temperature Short Time) systems for diverting product to forward flow after reaching legal pasteurization temperatures.

Waukesha Cherry-Burrell's Non-Slamming design prevents water hammer or hydraulic shock conditions caused by traditional flow diversion valves, extending the life of the valve and surrounding process equipment.

#### MATERIALS

Product Wetted: ASTM 316L (UNS-S31603); (DIN-1.4404)

Non-Product: ASTM 304 (UNS-S30400); (DIN-1.4301)

Seat Material: Tef-Flow™ P

**See Page 2 for other available seat options**

Elastomers: Fluoroelastomer (FKM) -Std EPDM -Opt

Finish: < 32Ra (<0.8 mm)

**Other finishes available upon request**

#### MAXIMUM PRESSURE RATING

##### Standard

VALVE SIZE W/ PRESSURE AT	1.0/1.5" (25/38 mm)	2.0" (51 mm)	2.5" (64 mm)	3.0" (76 mm)	4.0" (102 mm)	6.0"* (152 mm)	
<b>70°F</b> (20°C)	<b>500</b> 34.5	<b>450</b> 31	<b>400</b> 28	<b>350</b> 24	<b>200</b> 14	<b>150</b> 10	<b>psi</b> bar
<b>160/180°F</b> (71/82°C)	<b>375</b> 26	<b>350</b> 24	<b>300 psi</b> 17	<b>250</b> 17	<b>150</b> 10	<b>100</b> 6	<b>psi</b> bar
<b>250°F</b> (121°C)	<b>250</b> 17	<b>250</b> 17	<b>200</b> 14	<b>150</b> 10	<b>125</b> 8	<b>75</b> 5	<b>psi</b> bar

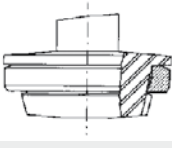
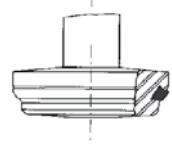
##### Valve with High Pressure Adapter and Clamps

VALVE SIZE W/ PRESSURE AT	1.0/1.5" (25/38 mm)	2.0" (51 mm)	2.5" (64 mm)	3.0" (76 mm)	4.0" (102 mm)	6.0"* (152 mm)	
<b>70°F</b> (20°C)	<b>1220</b> 84	<b>900</b> 62	<b>720</b> 49	---	---	---	<b>psi</b> bar
<b>160/180°F</b> (71/82°C)	<b>1160</b> 80	<b>855</b> 60	<b>690</b> 47	---	---	---	<b>psi</b> bar
<b>250°F</b> (121°C)	<b>1100</b> 75	<b>830</b> 57	<b>660</b> 45	---	---	---	<b>psi</b> bar



## OPTIONS AND ACCESSORIES

### SEAT OPTIONS

SEAT TYPE	MAXIMUM TEMPERATURE
 <p>Tef-Flow™ P</p>	280°F (137°C)
 <p>Tri Ring (TR) EPDM, FKM</p>	<p>Oper. 280°F (137°C) EPDM Steril. 275°F (135°C) EPDM Oper. 350°F (176°C) FKM Steril. Consult Factory FKM</p>

For higher temperature applications than those listed, please consult the factory.

### CONTROL TOPS



The W265 HTST valve assembly comes complete with 1 or 2 microswitches in each valve control module to meet PMO requirements for position indication. Solenoids are optional.

#### Features

- Transparent WCB control top keeps all electrical components visible.
- Designed with the user in mind, making assembly and troubleshooting worry free and easy
- Waukesha Cherry-Burrell uses the industry's most widely recognized electrical components, so access to off-the-shelf replacement parts is easy, ensuring quick delivery and less down time
- NEMA 4X (IP64)

#### Connector Options

- S/O Cord Grip for hard wire (Std.)
- Quick Disconnect Pin Connectors

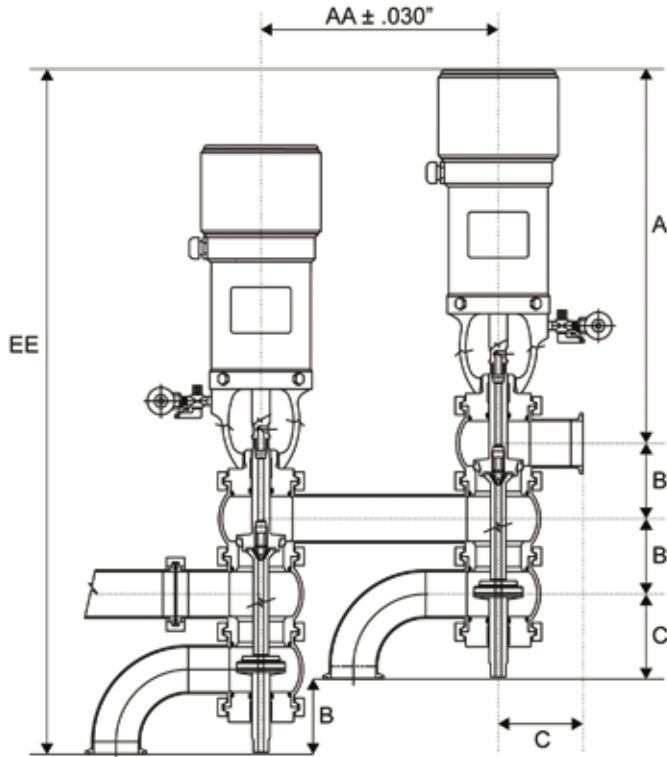
#### Position Indication

- Microswitches 24VDC, 110VAC

#### Solenoid Valves

- 24VDC or 110V

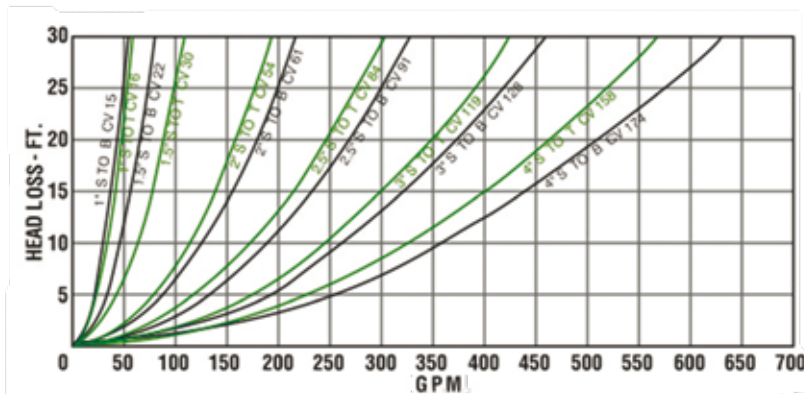
## PRODUCT DIMENSIONS



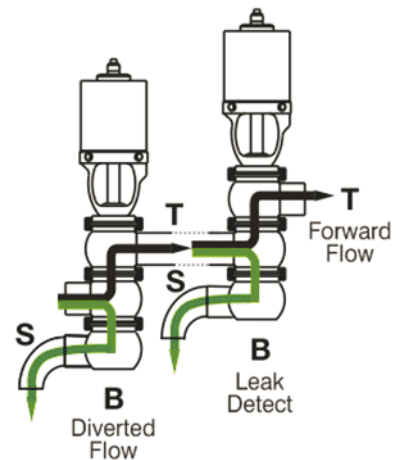
VALVE SIZE	A 4" ACTUATOR	A 5" ACTUATOR	A 6" ACTUATOR	B	C I-LINE	C S-LINE	
1.0" 25 mm	16.60 422	17.91 455	19.67 500	2.63 52	3.75 95	3.12 79	psi bar
1.5" 38 mm	16.60 422	17.91 455	19.67 500	2.63 52	3.19 81	2.75 70	psi bar
2.0" 50 mm	16.85 428	18.16 461	19.92 506	3.13 79	4.03 102	3.5 89	psi bar
2.5" 63 mm	----	18.41 468	20.17 512	3.63 92	4.16 106	3.5 89	psi bar
3.0" 76 mm	----	----	20.42 519	4.13 105	4.47 113	3.75 95	psi bar
4.0" 101 mm	----	----	20.90 531	5.11 130	5.22 132	4.5 114	psi bar

VALVE SIZE	ACTUATOR	AA	EE		
			I-Line	S-Line	
1.0" 25 mm	4 102	7.76 197	28.24 717	27.61 701	psi bar
1.5" 38 mm	4 102	8.76 222	27.68 703	27.24 692	psi bar
2.0" 50 mm	4 102	9.85 250	30.27 769	29.74 755	psi bar
2.5" 63 mm	5 127	11.23 285	33.46 850	32.80 833	psi bar
3.0" 76 mm	6 152	12.87 327	37.28 947	36.56 929	psi bar
4.0" 101 mm	6 152	16.11 409	41.45 1053	40.73 1035	psi bar

## PRESSURE LOSS CURVES



## Model W265



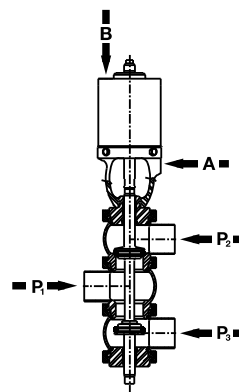


**W265 HOLDING PRESSURE CHARTS**

VALVE SIZE	ACTUATOR SIZE						
	BOTTOM PORT (P <sub>1</sub> ), ACTUATOR SPRING HOLDS CLOSED AGAINST:						
	4AR	4HAR	5AR	5HAR	6AR	6HAR	
<b>1.0"</b>	<b>214</b>	<b>284</b>	<b>336</b>	--	--	--	<b>psi</b>
25 mm	15	20	23	--	--	--	bar
<b>1.5"</b>	<b>162</b>	<b>230</b>	<b>289</b>	<b>495</b>	<b>418</b>	--	<b>psi</b>
38 mm	11	16	20	34	29	--	bar
<b>2.0"</b>	<b>76</b>	<b>109</b>	<b>139</b>	<b>237</b>	<b>200</b>	<b>367</b>	<b>psi</b>
50 mm	5	8	10	16	14	25	bar
<b>2.5"</b>	<b>50</b>	<b>70</b>	<b>87</b>	<b>150</b>	<b>126</b>	<b>239</b>	<b>psi</b>
63 mm	3	5	6	10	9	16	bar
<b>3.0"</b>	<b>34</b>	<b>47</b>	<b>59</b>	<b>101</b>	<b>85</b>	<b>161</b>	<b>psi</b>
76 mm	2	3	4	7	6	11	bar
<b>4.0"</b>	<b>19</b>	<b>26</b>	<b>32</b>	<b>56</b>	<b>46</b>	<b>89</b>	<b>psi</b>
101 mm	1	2	2	4	3	6	bar

VALVE SIZE	ACTUATOR SIZE						
	PORT (P <sub>3</sub> ), STEM RAISED, SPRING LOWERS STEM AGAINST:						
	4AR	4HAR	5AR	5HAR	6AR	6HAR	
<b>1.0"</b>	<b>344</b>	<b>418</b>	--	--	--	--	<b>psi</b>
25 mm	24	29	--	--	--	--	bar
<b>1.5"</b>	<b>344</b>	<b>418</b>	<b>433</b>	--	--	--	<b>psi</b>
38 mm	24	29	30	--	--	--	bar
<b>2.0"</b>	<b>169</b>	<b>205</b>	<b>218</b>	<b>392</b>	<b>279</b>	--	<b>psi</b>
50 mm	12	14	15	27	19	--	bar
<b>2.5"</b>	<b>102</b>	<b>124</b>	<b>132</b>	<b>237</b>	<b>168</b>	<b>404</b>	<b>psi</b>
63 mm	7	9	9	16	12	28	bar
<b>3.0"</b>	<b>69</b>	<b>83</b>	<b>89</b>	<b>160</b>	<b>114</b>	<b>274</b>	<b>psi</b>
76 mm	5	6	6	11	8	19	bar
<b>4.0"</b>	<b>37</b>	<b>45</b>	<b>49</b>	<b>89</b>	<b>63</b>	<b>152</b>	<b>psi</b>
101 mm	3	3	3	6	4	10	bar

VALVE SIZE	ACTUATOR SIZE						
	PORT (P <sub>2</sub> ), AIR TO PORT A, WILL RAISE STEM AGAINST:						
	4AR 50 psi (3 bar)	4HAR 75 psi (5 bar)	5AR 50 psi (3 bar)	5HAR 75 psi (5 bar)	6AR 50 psi (3 bar)	6HAR 75 psi (5 bar)	
<b>1.0"</b>	<b>223</b>	<b>371</b>	<b>356</b>	--	--	--	<b>psi</b>
25 mm	15	26	25	--	--	--	bar
<b>1.5"</b>	<b>275</b>	<b>425</b>	<b>403</b>	--	--	--	<b>psi</b>
38 mm	19	29	28	--	--	--	bar
<b>2.0"</b>	<b>138</b>	<b>212</b>	<b>200</b>	<b>272</b>	<b>285</b>	<b>361</b>	<b>psi</b>
50 mm	10	15	14	19	20	25	bar
<b>2.5"</b>	<b>79</b>	<b>124</b>	<b>117</b>	<b>157</b>	<b>167</b>	<b>200</b>	<b>psi</b>
63 mm	5	9	8	11	12	14	bar
<b>3.0"</b>	<b>53</b>	<b>83</b>	<b>79</b>	<b>106</b>	<b>113</b>	<b>135</b>	<b>psi</b>
76 mm	4	6	5	7	8	9	bar
<b>4.0"</b>	<b>29</b>	<b>45</b>	<b>43</b>	<b>57</b>	<b>61</b>	<b>73</b>	<b>psi</b>
101 mm	2	3	3	4	4	5	bar



If pressure rating is higher than documented in tables consult factory before exceeding.

Normal air supply requirement: 50 psi (3 bar) for 4 and 5 inch actuator, 6 inch light spring actuator.

75 psi (5 bar) for 6 inch standard actuator

Based in Charlotte, North Carolina, SPX FLOW, Inc. (NYSE: FLOW) is a multi-industry manufacturing leader. For more information, please visit [www.spxflow.com](http://www.spxflow.com)



SPX FLOW 611 Sugar Creek Road Delavan, WI 53115

P: (262) 728-1900 or (800) 252-5200 F: (262) 728-4904 or (800) 252-5012 E: [wcb@spxflow.com](mailto:wcb@spxflow.com)

SPX FLOW, Inc. reserves the right to incorporate our latest design and material changes without notice or obligation.

Design features, materials of construction and dimensional data, as described in this bulletin, are provided for your information only and should not be relied upon unless confirmed in writing. Please contact your local sales representative for product availability in your region. For more information visit [www.spxflow.com](http://www.spxflow.com).

The green "s" and "x" are trademarks of SPX FLOW, Inc.

ISSUED 02/2016 DS-1208 COPYRIGHT © 2016 SPX FLOW, Inc.