

APV DELTA SV1

BUTTERFLY VALVE

FORM NO.: H170726 REVISION: UK-9

READ AND UNDERSTAND THIS MANUAL PRIOR TO OPERATING OR SERVICING THIS PRODUCT.



Scan for SV1/SVS1F Valve
Maintenance Video



We,

DESIGN CENTER:

SPX Flow Technology Germany GmbH
Gottlieb-Daimler-Str. 13, D-59439 Holzwickede

MANUFACTURER:

SPX Flow Technology Poland sp. z o.o.
Rolbieskiego 2, 85-862 Bydgoszcz, Poland

AUTHORIZED REPRESENTATIVE:
(for UKCA)

SPX Flow, Inc.
Alexander House, 4 Station Road
Cheadle Hulme, Cheadle SK3 5AE UK

declare under our sole responsibility that the

APV double seal and double seat valves of the series
AM1, SD4, SDT4, SDU4, SDMS4, SDMSU4, SDTMS4, SWcip4, DSV, DA4, DA4 DPF, D4 SL,
DU4 SL, DT4 SL, DP4 SL, D4, DA3, DA3SLD, DE3, DEU3, DET3, DKR2, DKRT2, DKRH2

APV butterfly valves of the series SV1, SVS1F, SV2, SVS2F, SVL, SVSL, SVE, SVSE

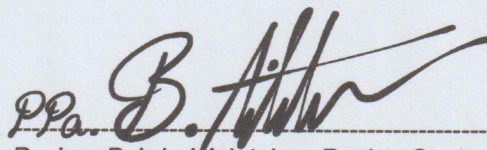
APV ball valves of the series BLV1

APV single seat, diaphragm and spring loaded valves of the series
S2, SW4, SWhp4, SW4DPF, SWmini4, SWT4, SWS4, MF4, MS4, MSP4, AP/T1, CPV, RG4,
RG4DPF, RGMS4, RGE4, RGE4DPF, RGEMS4, PR2, PRD2, SI2, UF/R3, UF/R4, UFHP4,
UFMS4, VRA/H

and the valve manifolds installed thereof

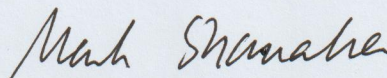
meet the requirements of the Machinery Directive 2006/42/EC
& EN ISO 12100-2010, DIN EN ISO 14159-2008-07, DIN EN 1672-2-2009-07.

Holzwickede, Germany Dec. 2024



Dr.-Ing. Behdad Ariatabar, Design Center Lead - Valves

meet the requirements of the Supply of Machinery (Safety) Regulations 2008 No. 1597
& BS harmonized standards.



Manchester, England Dec. 2024

Mark Shanahan, VP Finance N&H Solutions

Content	Page
1. General Terms	2
2. Safety Instructions	2
3. Intended Use	3
4. Mode of Operation	4
4.1. General Terms	
5. Auxiliary Equipment	5
5.1. Valve position indication - valve with pneumatic actuator	
5.2. Valve position indication - valve with manual operation	
5.3. Manual operation with adjusting device	
5.4. Control Unit	
5.5. Adapter for control unit	
5.6. Turning actuator for control unit	
6. Cleaning	8
6.1. Cleaning recommendation	
7. Installation / Connections	8
7.1. Connections	
7.2. Welding Instructions	
8. Dimensions / Weights	10
9. Technical Data	12
9.1. General data	
9.2. Compressed air quality	
9.3. Kvs-valves	
9.4. Opening and closing times	
9.5. Tightening torques	
9.6. Control air consumption	
10. Materials	14
11. Maintenance	15
12. Service Instructions	16
12.1. Dismantling from the line system	
12.2. Dismantling of the actuating device	
12.3. Dismantling of the inner parts	
12.4. Replacement of seals	
12.5. Installation of seals and bearings	
12.6. Installation of the actuating device	
12.7. Installation of feedback units (proximity switches)	
13. Spare Parts Lists	19
SV1 – FZ CU DN 25–100, 1"-4"	- RN 01.037 - 14
SV1 – H DN 25–100, 1"-4"	- RN 01.037.5 - 9
Handle SV-HL valve position indication DN 25–100, 1"-4"	- RN 01.037.0
Turning actuator K-80, K-125, K-180 F/L	- RN 01.073
Turning actuator spring/air (F/L) for feedback unit	- RN 01.076

1. General Terms

This instruction manual has to be read carefully and observed by the responsible operating and service personnel.

We do not accept any liability for damage or malfunctions resulting from the non-compliance with this instruction manual.

Descriptions and data given herein are subject to technical changes.

2. Safety Instructions

The valve must only be assembled, disassembled and reassembled by persons who have been trained in APV valves or by SPX FLOW service team members. If necessary, contact your local SPX FLOW representative.

Caution!



- The technical safety symbol draws your attention to important directions for operating safety. You will find it wherever the activities described are bearing health hazards or risks for persons or material assets.



- Do not reach into the open valve or into the yoke!
Risk of bruising at movable parts of the valve.



- In dismantled state there is the risk of injury by sudden valve operation.

- Regular maintenance including replacement of seals and bearing bushes must be scheduled for the valve in order to prevent leakages and discharge of liquids.



- Before any maintenance of the valve, the line system must be depressurized and discharged if possible.



- Electric and pneumatic connections must be separated.
- Observe the following Service Instructions to ensure safe maintenance of the valve.

2. Safety Instructions

**Caution!**

Welded actuators are preloaded by spring force.

**Opening of the actuators is strictly forbidden.
Danger to life!**

Actuators which are no longer used and / or defective must be disposed in professional manner.

Defective actuators must be returned to your SPX FLOW representative for their professional disposal and free of charge for you.

Please address to your local SPX FLOW representative.

3. Intended Use

The intended use as field of application of the butterfly valve is the shut-off of pipeline sections.

Arbitrary, structural changes at the valve may affect safety as well as the intended functionality of the valve and are not permissible.

Authorizations and External Approvals:

ATEX (Directive 2014/34/EU)

4. Mode of Operation

4.1. General Terms

Use of high-quality stainless steel and seal materials to the specified requirements, the butterfly valve range APV SV1 is applicable in the food and beverage industries as well as in the chemical and pharmaceutical industries.

Valves of the series APV SV1 can either be operated manually or remote controlled via a pneumatic actuator. Manual operation and pneumatic actuator including add-on pieces are interchangeable.

In the standard design “NC”, the pneumatic turning actuator opens the valve with compressed air.
Reset by spring force into the limit position closed.

Extension of operating time of actuated valves by pneumatic air throttle or adjusting screw in the control unit to optimize the flow behaviour and to reduce the risk of pressure hammers in installations if necessary.

The butterfly valve can also be used in vacuum systems.

The valve opens and closes by turning the disc by 90°.

Smooth valve passage without diversion of line flow.

The opening diameter complies with the size of the inner line diameter.

5. Auxiliary Equipment

5.1. Valve position indication - valve with pneumatic actuator

Proximity switches to signal the limit position of the valve disc can be installed in the yoke area if required.

We recommend using our APV standard proximity switches.
Type: three-wire proximity switch (ref.-No. 08-60-011/93; H16223)
Operating distance: 4 mm / diameter: 11 mm / length: 30 mm.

Feedback complete with support and proximity switch (ref.-No. 15-33-023/93; H327725) for a limit position.

Using a valve position indicator other than APV, we cannot accept any liability for faulty function.

5.2. Valve position indication - valve with manual operation

Specific manual actuations with feedback feature are available:

- a) Feedback of the disc position **closed**
(simple variant).
- b) Feedback of both disc positions
open and **closed** is possible.

5.3. Manual operation with adjusting device

As a special design, a handle is available which provides for the fixation of intermediate positions beside the two limit positions.

5. Auxiliary Equipment

fig. 5.4.

CU4 control unit



CU3 control unit



5.4. Control Unit

(CU, fig. 5.4.)

Units with feedback switch and magnet valve for the pneumatic control of the valve for assembly on the actuator are also available in fieldbus technology.

The assembly of a control unit on a pneumatic actuator is possible.

The following different designs are available:

Direct Connect	CU41-T-Direct Connect 08-45-101/93; H320461
AS-i extended 62 slaves	CU41-T-AS-i extended 08-45-111/93; H320468
DeviceNet	CU31 DeviceNet 16-31-240/93; H209422
Profibus	CU31 Profibus 08-45-001/93; H315495

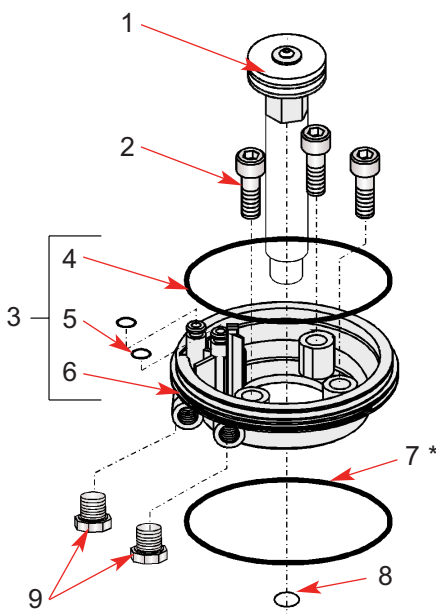
5.5. Adapter for control unit

(fig. 5.5.)

CU31 Profibus, CU31 DeviceNet

The following adapters are required to install the control unit on the SV1 valve:

fig. 5.5.

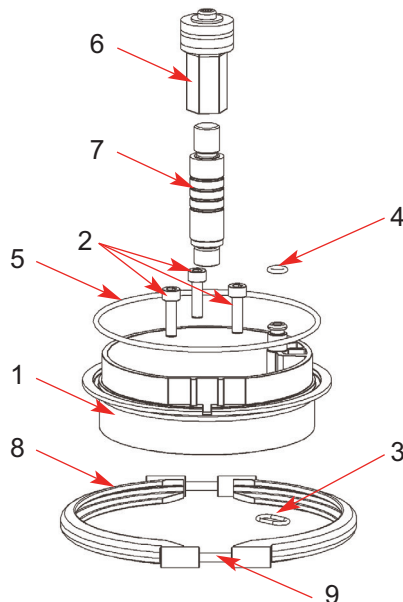


Spare parts for CU2 adapter

Item	Pcs.	Designation	reference No. ID - No.
-	-	CU2 adapter K080 SVS1F, DKR	000 08-48-416/93 H209431
1	1	CU operating cam cpl. SVS/DKR	000 08-60-779/93 H208853
2	3	cyl. screw ISO1207 M5x18-A2-7	000 08-60-760/15 H208835
3	1	adapter kit	000 08-60-333/93 H310442
- 4	1	O-ring 88,62-1,78 NBR	000 58-06-387/83 H208639
- 5	2	O-ring 5,28-1,78 NBR	000 58-06-044/83 H208640
- 6	1	CU adapter for SVS,DKR	000 08-60-728/93 H208803
7*	1	O-ring 90-2 NBR *scope of supply actuator	000 58-06-426/83 H143352
8	1	O-ring 13,0-2,0 NBR 70	000 58-06-049/83 H208642
9	2	blind plug G1/8"	000 08-60-740/93 H208815

5. Auxiliary Equipment

fig. 5.5.1



5.5.1. Adapter for control unit

(fig. 5.5.1.)

CU41-T-Direct Connect, CU41-T-AS-i extended

The following adapters are required to install the control unit on the SV1 valve:

Spare parts for CU4 T-adapter			
Item	Pcs.	Designation	reference No. ID - No.
-	-	CU4 T-adapter cpl.	000 08-48-601/93 H 320475
1	1	CU4 T-adapter	000 08-46-571/93 H319875
2	3	cyl. screw ISO1207 M5x16-A2-70	000 65-05-054/13 H79000
3	1	O-ring 11-2 NBR 55 Shore A	000 58-06-034/83 H321897
4	1	O-ring 6-2 NBR	000 58-06-059/83 H320505
5	1	O-ring 101,27-2,62	000 58-06-493/83 H148389
6	1	CU4-operating cam complete	000 08-60-900/93 H320479
7	1	CU4 SVS, DKR operating rod	000 08-60-905/93 H320480
8	2	CU4 clamp halves complete	000 08-46-569/93 H319873
9	2	cyl. screw ISO 4762 M4x40 inner hexagon	000 65-05-040/13 H320360

5.6. Turning actuator for control unit

For the assembly of a control unit on the butterfly valve a special turning actuator is required.

The standard turning actuator must be replaced.

Turning actuator for control unit	
DN 25–100/K080 F/L Inch 1"–4"/K080 F/L	ref.-No.: 000-15-37-070/17 H123937

6. Cleaning

6.1. Cleaning recommendation

The valve passage is cleaned by the cleaning liquids during cleaning of the connected pipelines.

Depending on the degree and constituents of soiling, the cleaning liquids, times and processes must be scheduled for the individual application.

The compatibility of the individually selected cleaning processes and liquids with the respectively used seals must be verified.

7. Installation / Connections

In normal installation position, the actuator is positioned vertically to the top. Depending on the respective application, optional installation positions can, however, also be realized.

SV1 valves with weld ends are welded direct into the product line.

Separate dismantling by a flange connection, etc. in the continuing pipeline must be provided.

Caution! Observe welding instructions 7.2.

7.1. Connections:

Beside the housings with weld ends the following connections are alternatively available:

- threaded and cone port to DIN 11851
- threaded port RJT, ISS/IDF, SMS.
- clamp connection to DIN 32676 (DN 25–100)
- clamp connection to ISO 2852 (Inch 1"–4")

7. Installation / Connections

7.2. Welding Instructions

- Welding may only be carried out by certified welders (DIN EN ISO 9606-1). (seam quality DIN EN ISO 5817).

- The welding of the housing halves must be effected in such a way that deformation strain cannot be transferred to the housing halves.

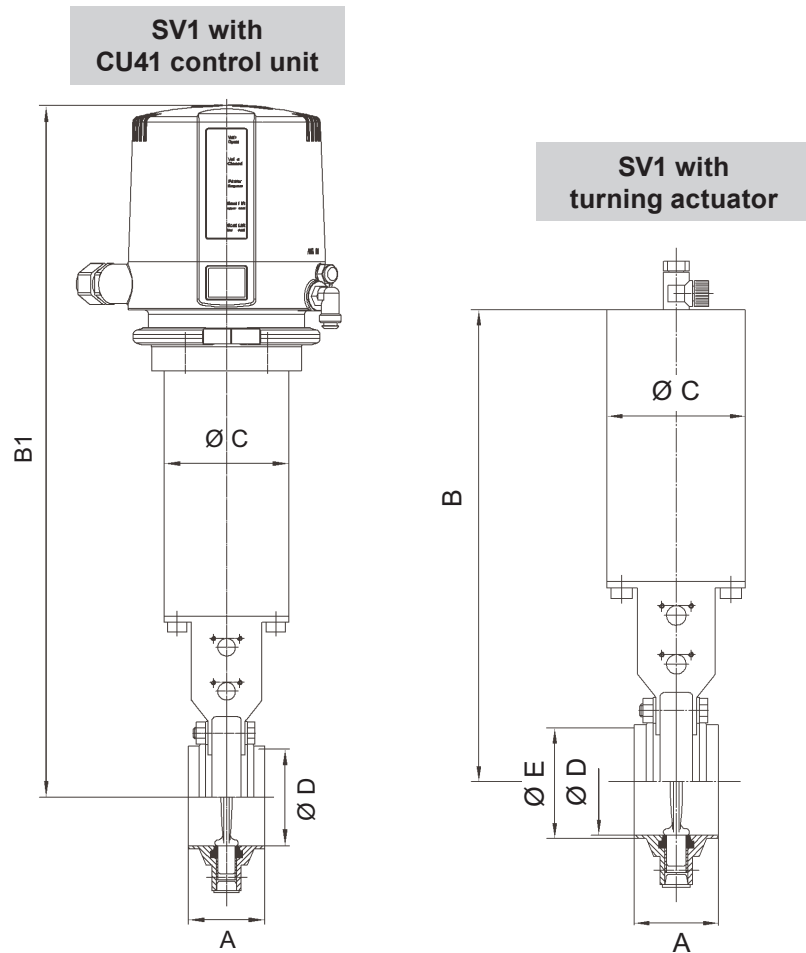
- TIG orbital welding is the most appropriate method!

- Before welding, all heat sensitive parts (e.g. seal, bearing, disc) of the valve must be removed.

- After welding of the housing halves and after work at the pipelines, the corresponding parts of the installation or pipelines must be cleaned from welding residues and soiling. If these cleaning instructions are not observed, welding residues and dirt particles can settle in the valve and cause damage or be carried over to other parts of the installation.

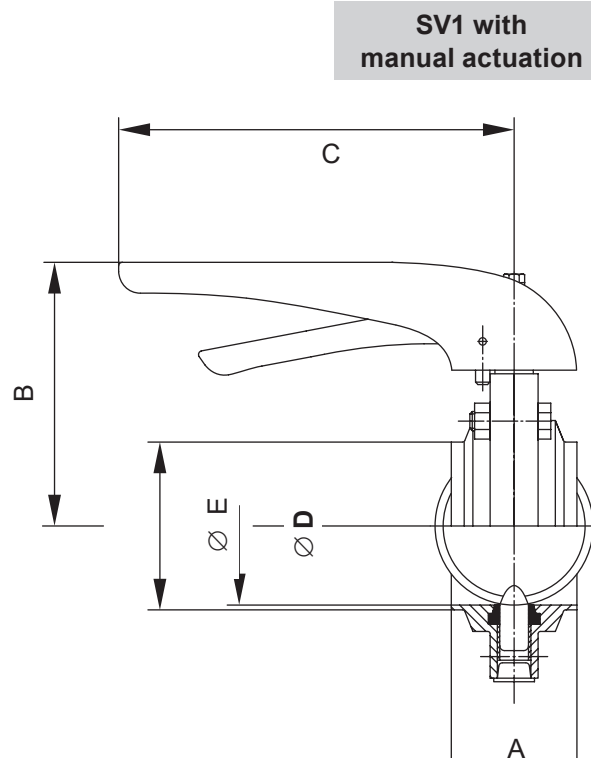
- Any damage resulting from the non-observance of these welding instructions is not subject to our guarantee.

8. Dimensions / Weights



Dimensions in mm							weights in kg	
DN	A	B	B1	Ø C	Ø D	Ø E	butterfly valve with turning actuator	butterfly valve with turning actuator and control unit
25	52	271,5	451,5	85	26	29	4,0	5,0
40	52	280	460	85	38	41	4,2	5,2
50	52	285	465	85	50	53	4,5	5,5
65	52,4	293,5	473,5	85	66	70	4,8	5,8
80	52,4	301	481	85	81	85	5,5	6,5
100	52,4	311	491	85	100	104	6,1	7,1
Inch								
1"	52	271,5	451,5	85	22,6	25	4,0	5,0
1,5"	52	280	460	85	34,8	38	4,2	5,2
2"	52	285	465	85	47,8	51	4,5	5,5
2,5"	52,4	293,5	473,5	85	60,3	63,5	4,8	5,8
3"	52,4	297	477	85	72,9	76,1	5,5	6,5
4"	52,4	311	491	85	97,6	101,6	6,1	7,1

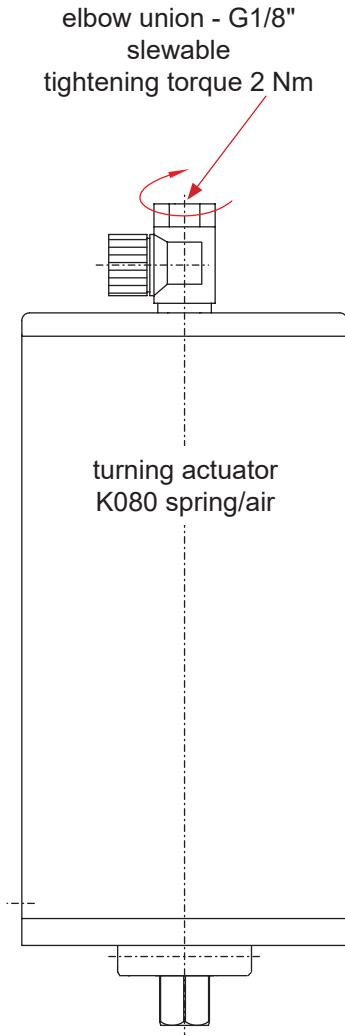
8. Dimensions / Weights



Dimensions in mm

DN	A	B	C	Ø D	Ø E	weights in kg
25	52	88	165	26	29	1,5
40	52	96,5	165	38	41	1,6
50	52	101,5	165	50	53	1,8
65	52,4	110	165	66	70	2,0
80	52,4	117,5	165	81	85	2,2
100	52,4	127,5	165	100	104	2,6
Inch						
1"	52	88	165	22,6	25	1,5
1,5"	52	96,5	165	34,8	38	1,6
2"	52	101,5	165	47,8	51	1,8
2,5"	52,4	110	165	60,3	63,3	2,0
3"	52,4	113,5	165	72,9	76,1	2,2
4"	52,4	127,5	165	97,6	101,6	2,6

9. Technical Data



9.1. General data

- max. line pressure: **10 bar**
- max. operating temperature: **135 °C EPDM, HNBR**
*** VMQ, * FPM**
- short-term load: **140 °C EPDM, HNBR**
*** VMQ, * FPM**
*** (no steam)**
- vacuum tightness: **2 mbar**
- opening angle of butterfly valve: **90°**
min. air pressure for actuator: **6 bar**
max. air pressure for actuator: **10 bar**
- air connection (for hose): **6 x 1**
elbow union – G1/8"
slewable: **tightening torque 2 Nm**

9.2. Compressed air quality

- Compressed air quality: quality class according to ISO 8573-1
- Content of solid particles: quality class 3,
max. number of particles per m³
10000 of 0,5 µm < d ≤ 1,0 µm
500 of 1,0 µm < d ≤ 5,0 µm
- Content of water: quality class 3,
max. dew point temperature - 20 °C
For installations at lower temperatures
or at higher altitudes, additional
measures must be considered to reduce
the pressure dew point accordingly.
- Content of oil: quality class 1,
max. 0,01 mg/m³

The oil applied must be compatible with Polyurethane elastomer materials.

9.3. Kvs-valves in m³/h

DN	Inch	
25	1"	40
40	1,5"	89
50	2"	160
65	2,5"	250
80	3"	440
100	4"	630

9. Technical Data

9.4. Opening and closing times

The actuating times depend on the length of the air line between the magnet valve to the air control and the actuator.

For air lines with a length of up to 1 m, the opening time for butterfly valves DN 25/1" to DN 100/4" at 6 bar control air pressure amounts to about 1 second. The closing time, after air shut-off, depends on the nominal dimension and amounts to 2 to 3 seconds.

If the valves are subject to strong friction, e.g. through dry seals, the actuating times extend accordingly.

9.4.1. Opening and closing times for butterfly valves

The opening and closing times of valves equipped with a control unit can be adjusted.

		opening time in sec. control air pres. 6 bar	closing time in sec.
DN	Inch	hose length 1 m	
25	1"	1 sec.	1,5 sec.
40	1,5"	1 sec.	1,5 sec.
50	2"	1 sec.	1,5 sec.
65	2,5"	1 sec.	2,5 sec.
80	3"	1 sec.	3,0 sec.
100	4"	1,2 sec.	3,5 sec.

All time data are approximate values taken from sample measurements.

9.5. Tightening torque Md [Nm] for butterfly valves

DN	Inch	Md [Nm]
25	1"	10
40	1,5"	12
50	2"	16
65	2,5"	20
80	3"	22
100	4"	24

9.6. Control air consumption at 6 bar control pressure

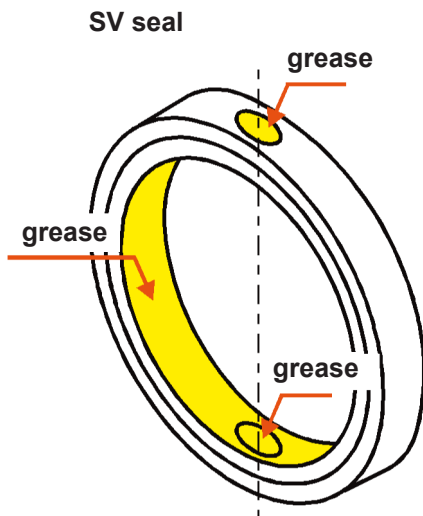
turning actuator K080 (spring/air)
per stroke 1,8 (NL)

10. Materials

- valve disc	1.4571/1.4404 (DIN EN 10088)
- housing flange, conterflange DN 25–100 1"–4"	1.4301/1.4404 (DIN EN 10088) 1.4404 (DIN EN 10088)
- SV seal, flange seal standard: option:	EPDM HNBR, VMQ, FPM
- bearing bush	polyamide PA 12
- handle	polyamide PA 6.6
Actuator	
- yoke, actuator	1.4301 (DIN EN 10088)
- coupling	1.4308 (DIN EN 10088)
- indicator	PE – hard
- piston	polyacetal POM
- spindle bearing	polyamide PA 12
- air connection	polyamide PA 6.6

11. Maintenance

Scan for SV1/SVS1F Valve
Maintenance Video



- The maintenance intervals depend on the application of the valve and should be determined by the operator carrying out regular checks of the valve.
- There are a few wear parts on SV1 butterfly valves, principally the SV seal and bearings.
- It is recommended that spare seals and bearings are kept by the user.
Complete seal kits for the valve service are available (see spare parts lists).
- If damaged seals are replaced, generally all seals and bearings should be changed.
- Dismantling and installation of seals according to service instructions.
- All seals must be slightly greased before their installation.
Grease SV seal according to illustration - especially in the cross bores.
- Assembly of valve and change of valve design NC or NO by installation of the turning actuator according to Service Instructions.
- The inner parts of the actuator are maintenance free.

Attention! Use food-grade special grease being suited for the respective seal material, only.

Recommendation

APV assembly grease for EPDM, FPM, HNBR and NBR
(0,75 kg /can - ref. No. 000 70-01-019/93; H147382)
(60 g /tube - ref. No. 000 70-01-018/93; H147381)

or

APV assembly grease for VMQ
(0,6 kg /can - ref. No. 000 70-01-017/93; H147380)
(60 g /tube - ref. No. 000 70-01-016/93; H147379)

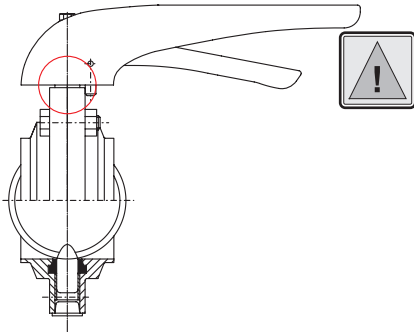
- ! Do not use grease containing mineral oil for EPDM seals
- ! Do not use Silicone-based grease for VMQ seals.

Less suited grease types can influence the function and life time.

12. Service Instructions

12.1. Dismantling from the line system

Attention! The valve can only be dismantled via an additional separate connection in the continuing pipeline.



Danger!

1. Shut off connecting lines, let down line pressure and drain pipeline if possible.
2. Disconnect electric and pneumatic connections.
3. Release clamp connection at support of proximity switches.
4. Pull off proximity switch.
5. Release additional separate connection in the pipeline.

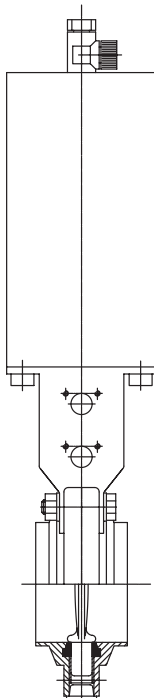
12.2. Dismantling of the actuating device

The item numbers refer to the spare parts drawings.

- **Manual actuation with limit switch:**
Screw off fastening screw (10) at the handle (8) and lift off handle.
- **Manual actuation with adjusting device:**
Screw off fastening screw at handle. Release both fastening screws of the scale sheet, lift off handle with indicator and scale.
- **Pneumatic actuator:**
Remove the two fastening screws (7) at the yoke (9), lift off actuator (13) to the top. Lift off coupling (12) and position indicator (11).

Attention! If valve position indicators are installed, see to the position of the operating cam (see 12.6. and 12.7.).

- **Actuator with control unit:**
Dismantling of actuator from yoke as described in chapter Actuator. The control unit needs not be removed from the actuator.



12.3. Dismantling of the inner parts

Dismantling is only possible via an additional separate connection in the pipeline

Seal ring (3), bearings (2), valve disc (5)

- Remove all fastening screws around the housing halves (4) and part the housing halves.
- Remove the inner parts.

12. Service Instructions

12.4. Replacement of seals

1. Turn the disc (5) in the seal ring (3) into open position.
2. Remove bearings (2).
3. By a slight pressing, the seal ring (3) is deformed in its longitudinal axis, and, thus, can be pulled off via the short bearing spindle.
4. Pull the seal ring (3) off the actuating spindle.
5. Clean the valve disc (5).
6. Grease the holes of the new seal ring (3) according to chapter 9 and insert the long actuating spindle of the valve disc (5).
7. Turn the disc (5) in the seal ring (3) into open position.
8. By slight pressure the seal ring (3) is deformed in its longitudinal axis, and, thus, can be pushed on via the short bearing spindle.

fig. 1

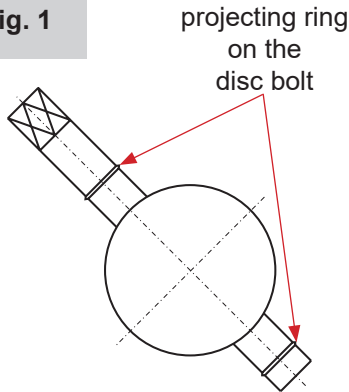


fig. 2

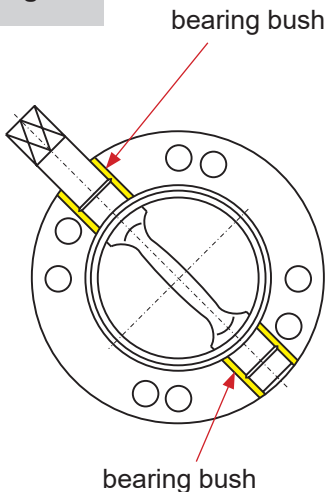
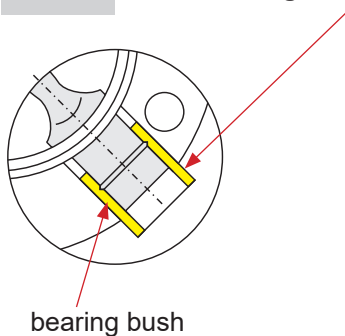


fig. 3

wrong assembly



12.5. Installation of seals and bearings

The current design of the valve disc has a projected ring on the disc bolt (fig. 1).

The new valve disc can also be installed in old housings.

1. Place bearings (2) on the spindle of the disc. The bearing bushes must be flush with the housing flange (fig. 2).
2. Insert the disc (5) in open position with seal ring (3) and bearings (2) into one housing half (4).
3. Assemble the housing halves (4) with the screws (6) alternately crosswise.
During the assembly of the housing halves, the projecting ring presses into the plastic surface of the bearing bush and secures the bearing bush against longitudinal movement.

Attention!

Tightening of the screws (6), the valve disc (5) must be in open position.
Damage of valve disc seal during assembly in closed position is possible..

Bearings must not project the housing flange (fig. 3).

12. Service Instructions

12.6. Installation of the actuating device

1. Observe the steps mentioned in 12.2. in reverse order.
2. With manual butterfly valves, the disc (5) and the handle (8) are in a line.
3. Attach the position indicator (11) to align with the valve disc onto the square of the actuating spindle of the disc (5).
4. Observe the design of the valve for the installation of the coupling (12) on butterfly valves with feedback:
 - **NC = normally closed**
Valve disc (5) is closed, place coupling (12).
The upper operating cam must be adjusted to the **upper** yoke bore.
 - **NO= normally open**
Valve disc (5) is open, place coupling (12).
 - The lower operating cam must be adjusted to the **lower** yoke bore.
5. Place actuator (13) with yoke and fasten them with the screws (7).

12.7. Installation of feedback units (proximity switches)

- **Valve position indication OPEN:**
Installation of the feedback unit in the **lower** yoke bore.
- **Valve position indication CLOSED:**
Installation of the feedback unit in the **upper** yoke bore.
- Insert proximity switch support into the yoke bore and fasten it.
Introduce the proximity switch into the support until it stops and fix it by the clamp connection.

13. Spare Parts Lists

The reference numbers of the spare parts for the different valve designs and sizes are included in the attached spare parts drawings with corresponding lists.

Please indicate the following data to place an order for spare parts:

- number of parts required
- reference / ID - number
- designation.

subject to change

Information contained in this document is subject to change without notice and does not represent a commitment on the part of SPX FLOW, Inc.. No part of this document may be reproduced or transmitted in any form or by any means, electronic or mechanical, including photocopying and recording, for any

Spare parts list:

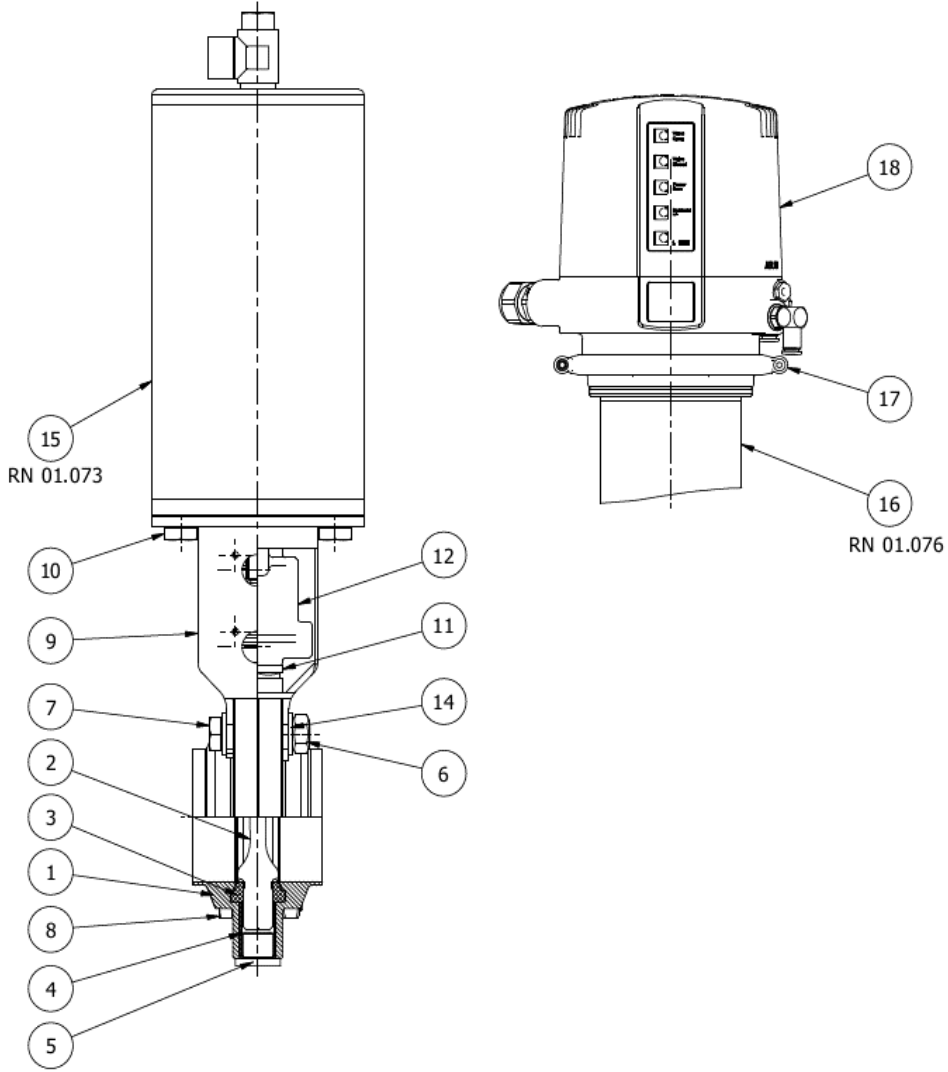
**Butterfly valve SV1-pneumatic actuated
DN25 - 100; 1" - 4" 1+3S**

Date:	30.01.14	30.10.14	06.07.16	06.07.23
Name:	Trytko	Trytko	Trytko	Shreshth Peters
Approved by:				
Date:				
Name:				
Approved by:				

SPX FLOW

Page 1 of 13

RN01.037-14



Information contained in this document is subject to change without notice and does not represent a commitment on the part of SPX FLOW, Inc.. No part of this document may be reproduced or transmitted in any form or by any means, electronic or mechanical, including photocopying and recording, for any

Spare parts list:

Butterfly valve SV1-pneumatic actuated 1+3S
1"

Item	Quantity	Description	Material	Part no.	Item	Quantity	Description	Material	Part no.
1	2	Housing half	1.4404	H23562					
2	1	Disc	1.4301						
3	1	Seal SV	EPDM	H114442					
			HNBR	H77451					
			FPM	H168263					
			VMQ	H77450					
			PA12 30%GF	H77449					
4	2	Bearing bush		H13832					
5	1	Lock Plug	Plastic	H16503					
6	4	Hex. Nut M8	1.4301	H79281					
7	2	Hex. Screw M8x35	1.4301	H78791					
8	2	Hex. Screw M8x28	1.4301	H78778					
9	1	Yoke	1.4301	H173105					
10	2	Hex. Screw M8x12	1.4301	H78770					
11	1	Position indicator	PE HARD	H14634					
12	1	Coupling	1.4308	H15865					
13									
14	4	Washer	1.4301	H79594					
15	1	Actuator spring/air	1.4301	H315054					
	1	Actuator air/air	1.4301	H333445					
16	1	Actuator spring/air for RME	1.4301	H315055					
17	1	CU4-T-Adapter, CU4plus-T-Adapter	PA6.6 GF30	see manual CU					
18	1	CU4, CU4plus	PA6.6 GF30	see manual CU					
		Item 3, 4, 5 available as complete seal kits only							
	1	Seal kit	EPDM	H206250					
	1	Seal kit	HNBR	H206252					
	1	Seal kit	FPM	H206249					
	1	Seal kit	VMQ	H206251					

Date:	30.01.14	30.10.14	06.07.16	06.07.23
Name:	Trytko	Trytko	Trytko	Shreshth Peters
Approved by:				
Date:				
Name:				
Approved by:				

Page 3 of 13
RN01.037-14

SPX FLOW

Information contained in this document is subject to change without notice and does not represent a commitment on the part of SPX FLOW, Inc.. No part of this document may be reproduced or transmitted in any form or by any means, electronic or mechanical, including photocopying and recording, for any

Spare parts list:		Date: 30.01.14 30.10.14 30.10.14 06.07.16 06.07.23				SPX FLOW			
Butterfly valve SV1-pneumatic actuated 1+3S DN40		Name: Trytko Trytko Shreshth Peters		Approved by:		Page 4 of 13			
Item	Quantity	Description	Material	Part no.	Item	Quantity	Description	Material	Part no.
1	2	Housing half	1.4404	H22928					
2	1	Disc	1.4301	H22924					
3	1	Seal SV	1.4404	H16047					
			EPDM	H77459					
			HNBR	H168745					
			FPM	H77457					
			VMQ	H77456					
4	2	Bearing bush	PA12 30%GF	H13832					
5	1	Lock Plug	Plastic	H16503					
6	4	Hex. Nut M8	1.4301	H79281					
			DIN EN 24032-A2						
7	2	Hex. Screw M8x35	1.4301	H78791					
			DIN EN 24017-A2-70						
8	2	Hex. Screw M8x28	1.4301	H78778					
			DIN EN 24017-A2-70						
9	1	Yoke	1.4301	H170929					
10	2	Hex. Screw M8x12	1.4301	H78770					
			DIN EN 24017-A2-70						
11	1	Position indicator	PE HARD	H14634					
12	1	Coupling	1.4308	H15865					
13									
14	4	Washer	1.4301	H79594					
			DIN 125 A l=8,4						
15	1	Actuator spring/air	1.4301	H315054					
			with individual packaging						
	1	Actuator air/air	1.4301	H333445					
			with individual packaging						
16	1	Actuator spring/air for RME	1.4301	H315055					
			with individual packaging						
17	1	CU4-T-Adapter, CU4plus-T-Adapter	PA6.6 GF30	see manual CU					
18	1	CU4, CU4plus	PA6.6 GF30	see manual CU					
		Item 3, 4, 5 available as complete seal kits only							
	1	Seal kit	EPDM	H206230					
	1	Seal kit	HNBR	H206232					
	1	Seal kit	FPM	H206229					
	1	Seal kit	VMQ	H206231					

Information contained in this document is subject to change without notice and does not represent a commitment on the part of SPX FLOW, Inc.. No part of this document may be reproduced or transmitted in any form or by any means, electronic or mechanical, including photocopying and recording, for any

**Butterfly valve SV1-pneumatic actuated 1+3S
1,5"**

Spare parts list:

Date:	30.01.14	30.10.14	30.10.14	06.07.16	06.07.23
Name:	Trytko	Trytko	Trytko	Shreshth	Shreshth Peters
Approved by:					
Date:					Page 5 of 13
Name:					RN01.037-14
Approved by:					

Item	Quantity	Description	Material	Part no.	Item	Quantity	Description	Material	Part no.
1	2	Housing half	1.4404 1.4301	H23588					
2	1	Disc	1.4404	H114440					
3	1	Seal SV	EPDM HNBR FPM VMQ	H77477 H168930 H77475 H77474					
4	2	Bearing bush	PA12 30%GF	H13832					
5	1	Lock Plug	Plastic	H16503					
6	4	Hex. Nut M8	1.4301	H79281					
7	2	Hex. Screw M8x35	DIN EN 24017-A2-70	H78791					
8	2	Hex. Screw M8x28	DIN EN 24017-A2-70	H78778					
9	1	Yoke	1.4301	H170929					
10	2	Hex. Screw M8x12	DIN EN 24017-A2-70	H78770					
11	1	Position indicator	PE HARD	H14634					
12	1	Coupling	1.4308	H15865					
13									
14	4	Washer	DIN 125 A l=8.4	H79594					
15	1	Actuator spring/air	with individual packaging	H315054					
	1	Actuator air/air	with individual packaging	H333445					
16	1	Actuator spring/air for RME	with individual packaging	H315055					
17	1	CU4-T-Adapter, CU4plus-T-Adapter	PA6.6 GF30	see manual CU					
18	1	CU4, CU4plus	PA6.6 GF30	see manual CU					
Item 3, 4, 5 available as complete seal kits only									
	1	Seal kit	EPDM	H206254					
	1	Seal kit	HNBR	H206256					
	1	Seal kit	FPM	H206253					
	1	Seal kit	VMQ	H206255					

Information contained in this document is subject to change without notice and does not represent a commitment on the part of SPX FLOW, Inc.. No part of this document may be reproduced or transmitted in any form or by any means, electronic or mechanical, including photocopying and recording, for any

Spare parts list:

**Butterfly valve SV1-pneumatic actuated 1+3S
DN50**

Item		Quantity	Description	Material	Part no.	Item	Quantity	Description	Material	Part no.
1	2		Housing half	1.4404	H22980					
2	1		Disc	1.4301	H22976					
3	1		Seal SV	EPDM	H16059					
				HNBR	H16826					
				FPM	H77482					
				VMQ	H77481					
4	2		Bearing bush	PA12 30%GF	H13832					
5	1		Lock Plug	Plastic	H16503					
6	4		Hex. Nut M8	1.4301	H79281					
				DIN EN 24032-A2						
7	2		Hex. Screw M8x35	1.4301	H78791					
				DIN EN 24017-A2-70						
8	2		Hex. Screw M8x28	1.4301	H78778					
				DIN EN 24017-A2-70						
9	1		Yoke	1.4301	H170929					
10	2		Hex. Screw M8x12	1.4301	H78770					
				DIN EN 24017-A2-70						
11	1		Position indicator	PE HARD	H14634					
12	1		Coupling	1.4308	H15865					
13										
14	4		Washer	1.4301	H79594					
				DIN 125 A l=8,4						
15	1		Actuator spring/air	1.4301	H315054					
				with individual packaging						
	1		Actuator air/air	1.4301	H333445					
				with individual packaging						
16	1		Actuator spring/air for RME	1.4301	H315055					
				with individual packaging						
17	1		CU4-T-Adapter, CU4plus-T-Adapter	PA6.6 GF30	see manual CU					
18	1		CU4, CU4plus	PA6.6 GF30	see manual CU					
Item 3, 4, 5 available as complete seal kits only										
	1		Seal kit	EPDM	H206234					
	1		Seal kit	HNBR	H206236					
	1		Seal kit	FPM	H206233					
	1		Seal kit	VMQ	H206235					

Date: 30.01.14 30.10.14 06.07.16 06.07.23
 Name: Trytko Trytko Shreshth
 Approved by: Peters

SPX FLOW

Date: _____ Page 6 of 13
 Name: _____
 Approved by: _____
RN01.037-14

Information contained in this document is subject to change without notice and does not represent a commitment on the part of SPX FLOW, Inc.. No part of this document may be reproduced or transmitted in any form or by any means, electronic or mechanical, including photocopying and recording, for any

Butterfly valve SV1-pneumatic actuated 1+3S
2"

Spare parts list:				Date: 30.01.14 30.10.14 30.10.14 06.07.16 06.07.23		SPX FLOW	
				Name: Trytko Trytko Trytko Shreshth Peters		Page 7 of 13	
				Approved by:		RN01.037-14	
				Date:			
				Name:			
				Approved by:			

Item	Quantity	Description	Material	Part no.	Item	Quantity	Description	Material	Part no.
1	2	Housing half	1.4404	H23611					
2	1	Disc	1.4301	H114977					
3	1	Seal SV	EPDM	H77502					
			HNBR	H169234					
			FPM	H77500					
			VMQ	H77499					
4	2	Bearing bush	PA12 30%GF	H13832					
5	1	Lock Plug	Plastic	H16503					
6	4	Hex. Nut M8	1.4301	H79281					
				H78791					
7	2	Hex. Screw M8x35	1.4301	H78778					
				H170929					
8	2	Hex. Screw M8x28	1.4301	H78770					
9	1	Yoke	1.4301	H14634					
10	2	Hex. Screw M8x12	1.4301	H15865					
11	1	Position indicator	PE HARD						
12	1	Coupling	1.4308						
13									
14	4	Washer	1.4301	H79594					
				H315054					
15	1	Actuator spring/air	1.4301	H333445					
				H315055					
16	1	Actuator spring/air for RME	1.4301						
17	1	CU4-T-Adapter, CU4plus-T-Adapter	PA6.6 GF30	see manual CU					
18	1	CU4, CU4plus	PA6.6 GF30	see manual CU					
Item 3, 4, 5 available as complete seal kits only									
	1	Seal kit	EPDM	H206258					
	1	Seal kit	HNBR	H206260					
	1	Seal kit	FPM	H206257					
	1	Seal kit	VMQ	H206259					

Information contained in this document is subject to change without notice and does not represent a commitment on the part of SPX FLOW, Inc.. No part of this document may be reproduced or transmitted in any form or by any means, electronic or mechanical, including photocopying and recording, for any

Spare parts list:

**Butterfly valve SV1-pneumatic actuated 1+3S
DN65**

			Date: 30.01.14 30.10.14 30.10.14 06.07.16 06.07.23					SPX FLOW			
			Trytko	Trytko	Trytko	Trytko	Shreshth Peters				
Approved by:											
Date:								Page	8	of	13
Name:								RN01.037-14			
Approved by:											
Item	Quantity	Description	Material	Part no.	Item	Quantity	Description	Material	Part no.		
1	2	Housing half	1.4404	H23039							
			1.4301	H23035							
2	1	Disc	1.4404	H16071							
			EPDM	H77509							
3	1	Seal SV	HNBR	H168827							
			FPM	H77507							
			VMQ	H77506							
4	2	Bearing bush	PA12 30%GF	H13832							
5	1	Lock Plug	Plastic	H16503							
6	4	Hex. Nut M8	1.4301	H79281							
				DIN EN 24032-A2							
7	2	Hex. Screw M8x35	1.4301	H78791							
				DIN EN 24017-A2-70							
8	2	Hex. Screw M8x28	1.4301	H78778							
				DIN EN 24017-A2-70							
9	1	Yoke	1.4301	H173103							
10	2	Hex. Screw M8x12	1.4301	H78770							
				DIN EN 24017-A2-70							
11	1	Position indicator	PE HARD	H14634							
12	1	Coupling	1.4308	H15865							
13											
14	4	Washer	1.4301	H79594							
				DIN 125 A l=8,4							
15	1	Actuator spring/air	1.4301	H315054							
				with individual packaging							
	1	Actuator air/air	1.4301	H333445							
				with individual packaging							
16	1	Actuator spring/air for RME	1.4301	H315055							
				with individual packaging							
17	1	CU4-T-Adapter, CU4plus-T-Adapter	PA6.6 GF30	see manual CU							
18	1	CU4, CU4plus	PA6.6 GF30	see manual CU							
Item 3, 4, 5 available as complete seal kits only											
	1	Seal kit	EPDM	H206238							
	1	Seal kit	HNBR	H206240							
	1	Seal kit	FPM	H206237							
	1	Seal kit	VMQ	H206239							

Information contained in this document is subject to change without notice and does not represent a commitment on the part of SPX FLOW, Inc.. No part of this document may be reproduced or transmitted in any form or by any means, electronic or mechanical, including photocopying and recording, for any

Spare parts list:

**Butterfly valve SV1-pneumatic actuated 1+3S
2,5"**

Item		Quantity		Description		Material		Part no.		Item		Quantity		Description		Material		Part no.	
1	2			Housing half	1.4404	H23640													
2	1			Disc	1.4301	H114978													
3	1			Seal SV	EPDM	H77532													
					HNBR	H169235													
					FPM	H77530													
					VMQ	H77529													
4	2			Bearing bush	PA12 30%GF	H13832													
5	1			Lock Plug	Plastic	H16503													
6	4			Hex. Nut M8	DIN EN 24032-A2	H79281													
7	2			Hex. Screw M8x35	DIN EN 24017-A2-70	H78791													
8	2			Hex. Screw M8x28	DIN EN 24017-A2-70	H78778													
9	1			Yoke	1.4301	H173103													
10	2			Hex. Screw M8x12	DIN EN 24017-A2-70	H78770													
11	1			Position indicator	PE HARD	H14634													
12	1			Coupling	1.4308	H15865													
13																			
14	4			Washer	DIN 125 A l=8,4	H79594													
15	1			Actuator spring/air	with individual packaging	H315054													
	1			Actuator air/air	with individual packaging	H333445													
16	1			Actuator spring/air for RME	with individual packaging	H315055													
17	1			CU4-T-Adapter, CU4plus-T-Adapter	PA6.6 GF30	see manual CU													
18	1			CU4, CU4plus	PA6.6 GF30	see manual CU													
Item 3, 4, 5 available as complete seal kits only																			
	1			Seal kit	EPDM	H206262													
	1			Seal kit	HNBR	H206264													
	1			Seal kit	FPM	H206261													
	1			Seal kit	VMQ	H206263													

Date: 30.01.14 30.10.14 06.07.16 06.07.23
 Name: Trytko Trytko Shreshth
 Approved by: Peters

Date: _____ Page 9 of 13
 Name: _____
 Approved by: RN01.037-14

Information contained in this document is subject to change without notice and does not represent a commitment on the part of SPX FLOW, Inc.. No part of this document may be reproduced or transmitted in any form or by any means, electronic or mechanical, including photocopying and recording, for any

		Date: 30.01.14 30.10.14 30.10.14 06.07.16 06.07.23					SPX FLOW		
		Name: Trytko Trytko		Trytko	Shreshth Peters				
		Approved by:				Page 10 of 13			
		Date: _____				RN01.037-14			
		Name: _____							
		Approved by: _____							
Butterfly valve SV1-pneumatic actuated 1+3S 3"									
Item	Quantity	Description	Material	Part no.	Item	Quantity	Description	Material	Part no.
1	2	Housing half	1.4404	H23123					
			1.4301						
2	1	Disc	1.4404	H16090					
			EPDM	H77528					
3	1	Seal SV	HNBR	H169236					
			FPM	H77526					
			VMQ	H77525					
4	2	Bearing bush	PA12 30%GF	H13832					
5	1	Lock Plug	Plastic	H16503					
6	6	Hex. Nut M8	1.4301	H79281					
			DIN EN 24032-A2						
7	2	Hex. Screw M8x35	1.4301	H78791					
			DIN EN 24017-A2-70						
8	4	Hex. Screw M8x28	1.4301	H78778					
			DIN EN 24017-A2-70						
9	1	Yoke	1.4301	H173103					
10	2	Hex. Screw M8x12	1.4301	H78770					
			DIN EN 24017-A2-70						
11	1	Position indicator	PE HARD	H14634					
12	1	Coupling	1.4308	H15865					
13									
14	4	Washer	1.4301	H79594					
			DIN 125 A l=8,4						
15	1	Actuator spring/air	1.4301	H315054					
			with individual packaging						
	1	Actuator air/air	1.4301	H333445					
			with individual packaging						
16	1	Actuator spring/air for RME	1.4301	H315055					
			with individual packaging						
17	1	CU4-T-Adapter, CU4plus-T-Adapter	PA6.6 GF30	see manual CU					
18	1	CU4, CU4plus	PA6.6 GF30	see manual CU					
Item 3, 4, 5 available as complete seal kits only									
	1	Seal kit	EPDM	H206266					
	1	Seal kit	HNBR	H206268					
	1	Seal kit	FPM	H206265					
	1	Seal kit	VMQ	H206267					

Information contained in this document is subject to change without notice and does not represent a commitment on the part of SPX FLOW, Inc.. No part of this document may be reproduced or transmitted in any form or by any means, electronic or mechanical, including photocopying and recording, for any

<p align="center">Butterfly valve SV1-pneumatic actuated 1+3S DN80</p>		Date:	30.01.14	30.10.14	06.07.16	06.07.23	SPX FLOW		
		Name:	Trytko	Trytko	Trytko	Shreshth Peters			
		Approved by:							
		Date:					Page	11 of 13	
		Name:					RN01.037-14		
		Approved by:							

Item	Quantity	Description	Material	Part no.	Item	Quantity	Description	Material	Part no.
1	2	Housing half	1.4404	H23092					
2	1	Disc	1.4301	H23088					
3	1	Seal SV	1.4404	H16082					
			EPDM	H77539					
			HNBR	H168832					
			FPM	H77537					
			VMQ	H77536					
4	2	Bearing bush	PA12 30%GF	H13832					
5	1	Lock Plug	Plastic						
6	6	Hex. Nut M8	1.4301	H79281					
			DIN EN 24032-A2						
7	2	Hex. Screw M8x35	1.4301	H78791					
			DIN EN 24017-A2-70						
8	4	Hex. Screw M8x28	1.4301	H78778					
			DIN EN 24017-A2-70						
9	1	Yoke	1.4301	H173103					
10	2	Hex. Screw M8x12	1.4301	H78770					
			DIN EN 24017-A2-70						
11	1	Position indicator	PE HARD	H14634					
12	1	Coupling	1.4308	H15865					
13									
14	4	Washer	1.4301	H79594					
			DIN 125 A l=8,4						
15	1	Actuator spring/air	1.4301	H315054					
			with individual packaging						
	1	Actuator air/air	1.4301	H333445					
			with individual packaging						
16	1	Actuator spring/air for RME	1.4301	H315055					
			with individual packaging						
17	1	CU4-T-Adapter, CU4plus-T-Adapter	PA6.6 GF30	see manual CU					
18	1	CU4, CU4plus	PA6.6 GF30	see manual CU					
		Item 3, 4, 5 available as complete seal kits only							
	1	Seal kit	EPDM	H206242					
	1	Seal kit	HNBR	H206244					
	1	Seal kit	FPM	H206241					
	1	Seal kit	VMQ	H206243					

Information contained in this document is subject to change without notice and does not represent a commitment on the part of SPX FLOW, Inc.. No part of this document may be reproduced or transmitted in any form or by any means, electronic or mechanical, including photocopying and recording, for any

Spare parts list:

**Butterfly valve SV1-pneumatic actuated 1+3S
DN100**

Item		Quantity		Description	Material	Part no.	Item	Quantity	Description	Material	Part no.
1	2			Housing half	1.4404	H23154					
2	1			Disc	1.4301	H23150					
3	1			Seal SV	EPDM	H77579					
					HNBR	H166721					
					FPM	H77577					
4	2			Bearing bush	VMQ	H77576					
5	1			Lock Plug	PA12 30%GF	H13833					
6	6			Hex. Nut M8	Plastic						
7	2			Hex. Screw M8x35	1.4301	H79281					
8	4			Hex. Screw M8x28	1.4301	H78791					
9	1			Yoke	1.4301	H173103					
10	2			Hex. Screw M8x12	1.4301	H78770					
11	1			Position indicator	PE HARD	H14634					
12	1			Coupling	1.4308	H15865					
13											
14	4			Washer	1.4301	H79594					
15	1			Actuator spring/air	1.4301	H315054					
	1			Actuator air/air	1.4301	H333445					
16	1			Actuator spring/air for RME	1.4301	H315055					
17	1			CU4-T-Adapter, CU4plus-T-Adapter	PA6.6 GF30	see manual CU					
18	1			CU4, CU4plus	PA6.6 GF30	see manual CU					
				Item 3, 4, 5 available as complete seal kits only							
	1			Seal kit	EPDM	H206246					
	1			Seal kit	HNBR	H206248					
	1			Seal kit	FPM	H206245					
	1			Seal kit	VMQ	H206247					

Date: 30.01.14 30.10.14 06.07.16 06.07.23
 Name: Trytko Trytko Trytko Shreshth Peters
 Approved by:

Date: _____
 Name: _____
 Approved by: _____

SPX FLOW

Information contained in this document is subject to change without notice and does not represent a commitment on the part of SPX FLOW, Inc.. No part of this document may be reproduced or transmitted in any form or by any means, electronic or mechanical, including photocopying and recording, for any

Spare parts list:

**Butterfly valve SV1-pneumatic actuated 1+3S
4"**

Item		Quantity		Description		Material		Part no.		Item		Quantity		Description		Material		Part no.	
1	2			Housing half	1.4404	H23684													
2	1			Disc	1.4301	H114979													
3	1			Seal SV	EPDM	H77601													
					HNBR	H166722													
					FPM	H77599													
					VMQ	H77598													
4	2			Bearing bush	PA12 30%GF	H13833													
5	1			Lock Plug	Plastic														
6	6			Hex. Nut M8	DIN EN 24032-A2	H79281													
7	2			Hex. Screw M8x35	DIN EN 24017-A2-70	H78791													
8	4			Hex. Screw M8x28	DIN EN 24017-A2-70	H78778													
9	1			Yoke	1.4301	H173103													
10	2			Hex. Screw M8x12	DIN EN 24017-A2-70	H78770													
11	1			Position indicator	PE HARD	H14634													
12	1			Coupling	1.4308	H15865													
13																			
14	4			Washer	DIN 125 A l=8,4	H79594													
15	1			Actuator spring/air	with individual packaging	H315054													
	1			Actuator air/air	with individual packaging	H333445													
16	1			Actuator spring/air for RME	with individual packaging	H315055													
17	1			CU4-T-Adapter, CU4plus-T-Adapter	PA6.6 GF30	see manual CU													
18	1			CU4, CU4plus	PA6.6 GF30	see manual CU													
Item 3, 4, 5 available as complete seal kits only																			
	1			Seal kit	EPDM	H206270													
	1			Seal kit	HNBR	H206272													
	1			Seal kit	FPM	H206269													
	1			Seal kit	VMQ	H206271													

Date: 30.01.14 30.10.14 06.07.16 06.07.23
 Name: Trytko Trytko Shreshth Peters
 Approved by:

SPX FLOW

Date: _____ Page 13 of 13
 Name: _____ RN01.037-14
 Approved by: _____

Information contained in this document is subject to change without notice and does not represent a commitment on the part of SPX FLOW, Inc.. No part of this document may be reproduced or transmitted in any form or by any means, electronic or mechanical, including photocopying and recording, for any

Spare parts list:

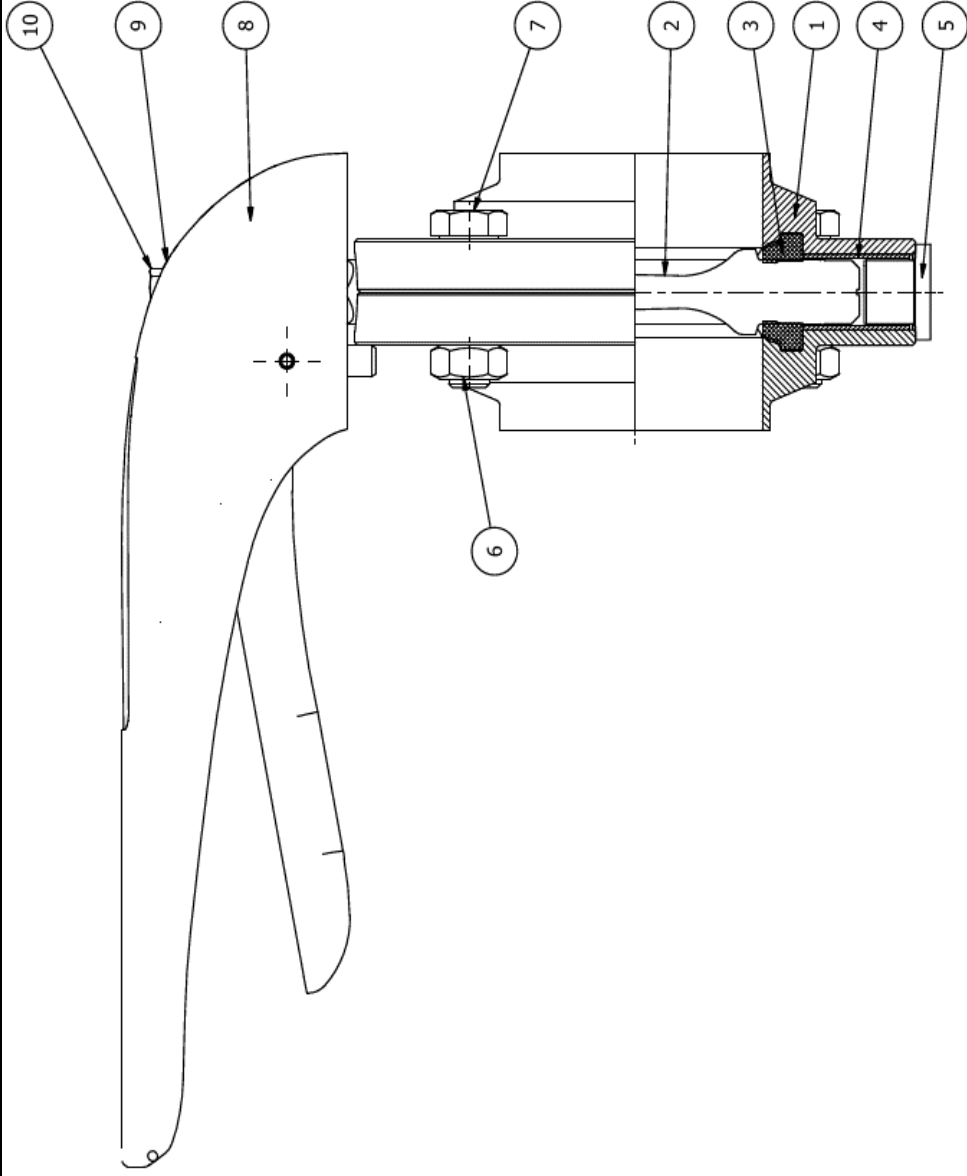
**Butterfly valve SV1-manual actuated
DN25 - 100; 1" - 4" 1+3S**

Date:	30.01.14	06.07.16	06.07.23
Name:	Trytko	Trytko	Shreshth Peters
Approved by:			
Date:			
Name:			
Approved by:			

SPX FLOW

Page 1 of 13

RN01.037.5-9



Information contained in this document is subject to change without notice and does not represent a commitment on the part of SPX FLOW, Inc.. No part of this document may be reproduced or transmitted in any form or by any means, electronic or mechanical, including photocopying and recording, for any

Spare parts list:

**Manual actuation with yoke for valve position indication for butterfly valves SV
DN25 - 100; 1" - 4"**

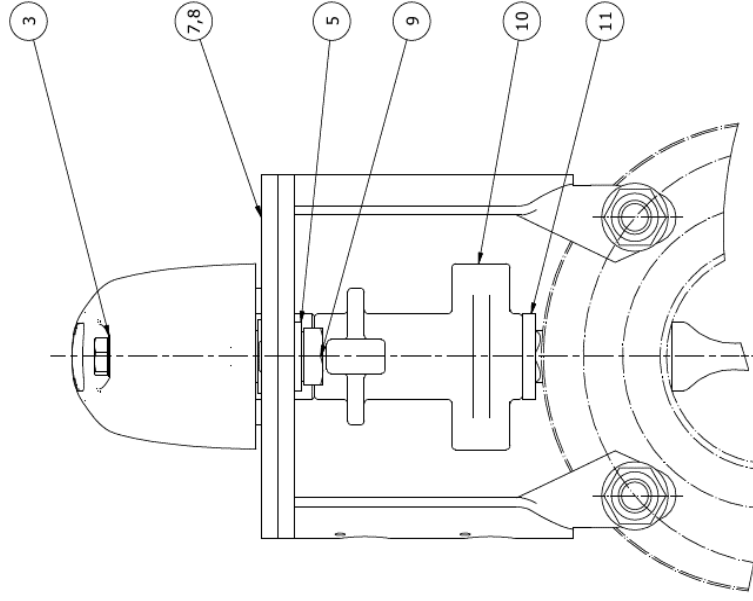
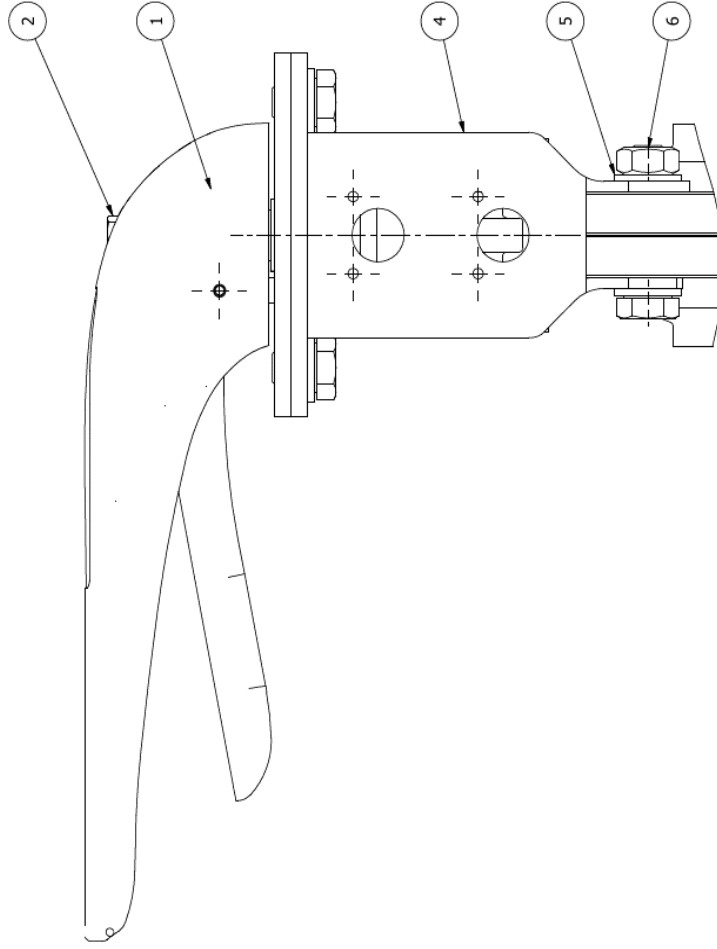
Date: 13.02.14 10.07.23
 Name: Tryiko Shreshth
 Approved by: Peters

Date: _____
 Name: _____
 Approved by: _____

SPX FLOW

Page 1 of 4

RN01.037.0



Information contained in this document is subject to change without notice and does not represent a commitment on the part of SPX FLOW, Inc.. No part of this document may be reproduced or transmitted in any form or by any means, electronic or mechanical, including photocopying and recording, for any

Spare parts list:

Date:	22.11.12	12.03.14	20.07.23
Name:	Trytko	Trytko	Shreshth Peters
Approved by:	Goebel		
Date:			
Name:			
Approved by:			

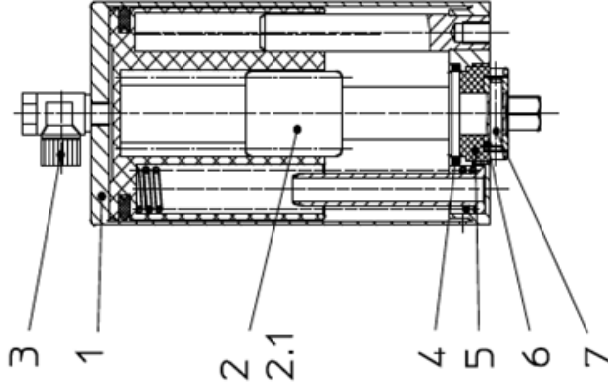
SPX FLOW

Actuator K080, K125, K180 spring/air

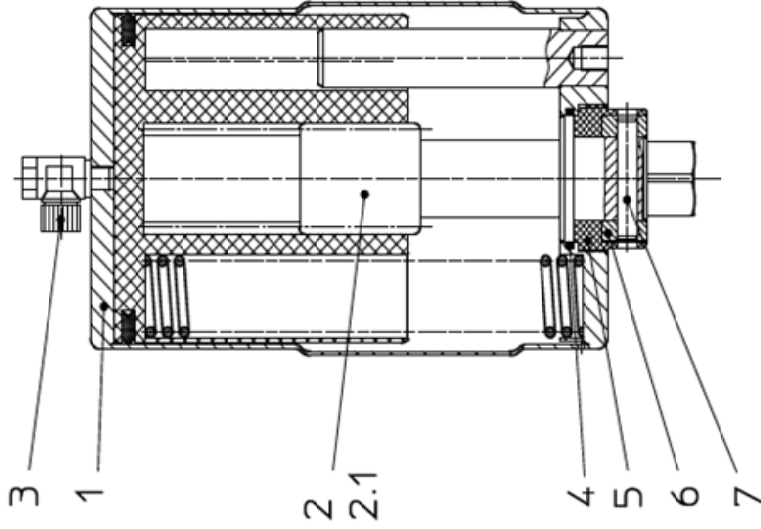
Page 1 of 2

RN 01.073

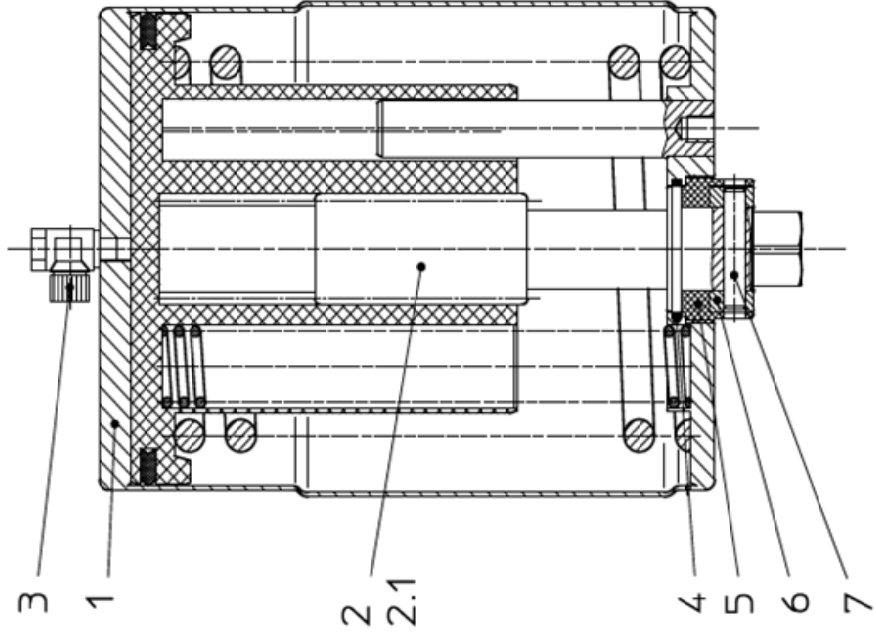
DRAT K080



DRAT K125



DRAT K180



Information contained in this document is subject to change without notice and does not represent a commitment on the part of SPX FLOW, Inc.. No part of this document may be reproduced or transmitted in any form or by any means, electronic or mechanical, including photocopying and recording, for any

Spare parts list:

Actuator K080, K125, K180 spring/air for control unit

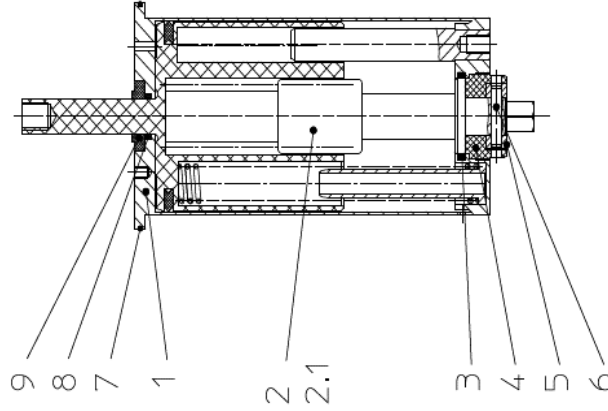
Date:	28.03.13	08.05.14	20.07.23
Name:	Trytko	Trytko	Shreshth Peters
Approved by:			
Date:			
Name:			
Approved by:			

SPX FLOW

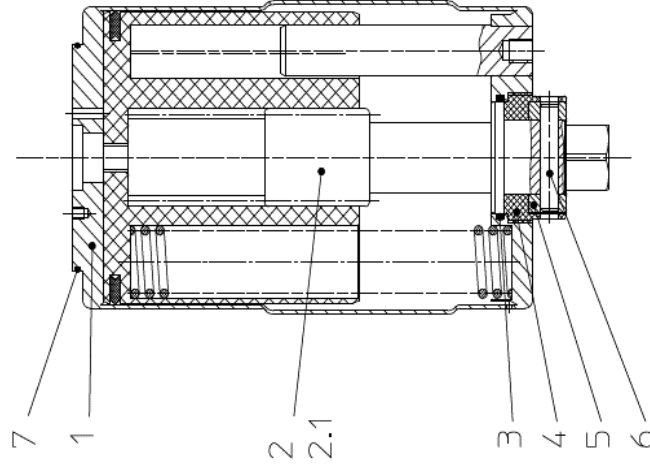
Page 1 of 2

RN 01.076

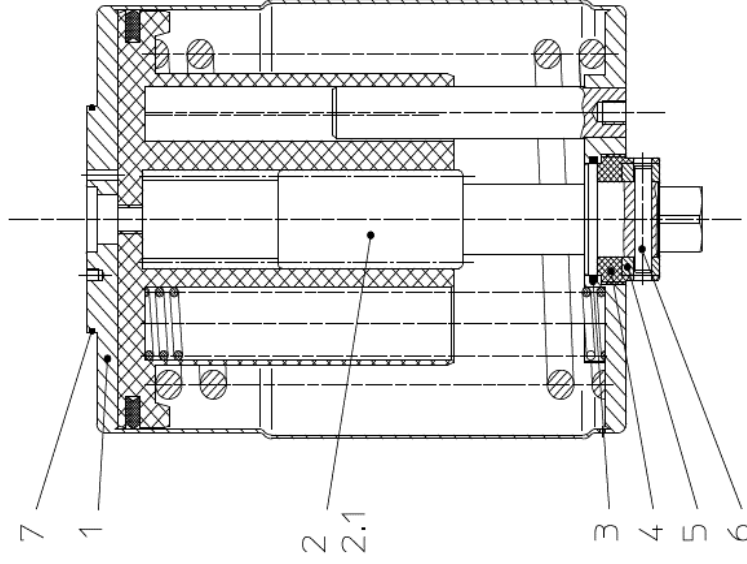
DRAT K080-RM



DRAT K125-RM



DRAT K180-RM



APV DELTA SV1

BUTTERFLY VALVE

SPXFLOW

SPX FLOW

Design Center

Gottlieb-Daimler-Straße 13
D-59439 Holzwickede, Germany
P: (+49) (0) 2301-9186-0
F: (+49) (0) 2301-9186-300

SPX FLOW

Production

Stanisława Jana Rolbieskiego 2
PL- Bydgoszcz 85-862, Poland
P: (+48) 52 566 76 00
F: (+48) 52 525 99 09

SPX FLOW reserves the right to incorporate the latest design and material changes without notice or obligation.

Design features, materials of construction and dimensional data, as described in this manual, are provided for your information only and should not be relied upon unless confirmed in writing. Please contact your local sales representative for product availability in your region. For more information visit www.spxflow.com.

ISSUED 08/2017 - Translation of Original Manual
COPYRIGHT ©2017 SPX FLOW, Inc.

Scan for SV1/SVS1F Valve
Maintenance Video

