

### GD-301-19"-1-SNMP

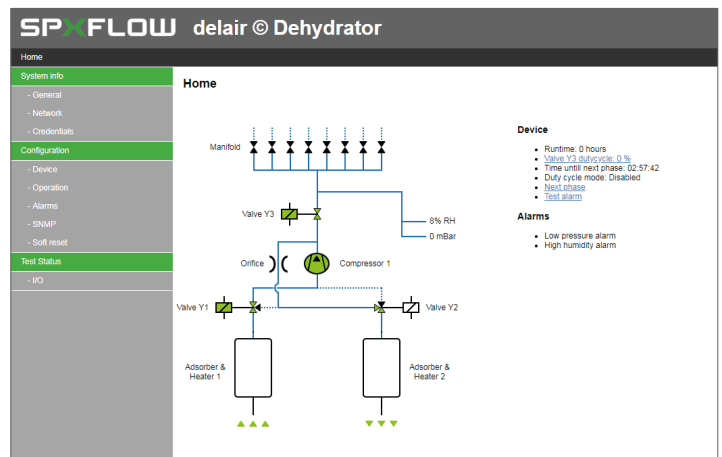
If moisture is your enemy, Delair® is your friend. We specialise in the design and development of pressurizers, ambient air, compressed air and gas conditioning equipment to protect electrical and electronic systems in telecommunications, broadcast, commercial and military applications.

By providing accurate humidity control, Delair® units preserve your equipment, prolong its working life and reduce maintenance requirements.



#### WHY DELAIR® GD-301-19"-1-SNMP

- Internet communication / web interface
- Compact design
- Dry air capacity > 300 l/h
- Low noise / low vibration
- Low energy consumption
- Mounting brackets included



Specifications	GD-301-19"-1-SNMP		
	230VAC		48VDC
Operation	Fully automatic and continuous		
Dry air capacity (l/h) at 20 mbar	> 300		
Outlet dew point at 23°C and 83% RH	< -40 °C		
Standard working pressure (mbar)	20 - 30		
Other pressure ranges on request	40 - 80		
Power Supply (V)	240V-50/60Hz		48VDC
Power consumption			
- Drying (W)	70		
- Regeneration (W)	135		
- Stand-by (W)	15		
Sound level dB(A)	<55		
Weight (kg)	25		
Outlets, with shut-off valve	1 Tubing 8 mm OD , other connections on request 3 and 6 outlet manifold as optional		
Location	Indoors		
Enclosure	IP40		
Ambient temperature	-10°C - +50°C		
Relative humidity	Max. 95%		
Mounting	Width (mm)	Depth (mm)	Height (mm)
- 19" Rack	482.6	400	122
- Wall mounting	465	434	122
- Floor/Table mounting	465	400	128
Combined alarms, dry contact	Low-, high pressure, Run Time Humidity alarm (optional)		
Communication	TCP/IP Ethernet SNMP		

# SPXFLOW



SPX Flow Technology Etten-Leur BV  
Munnikenheiweg 41 | 4879 NE Etten-Leur  
P: +31 (0) 76 508 55 68 | F: +31 (0) 76 508 55 90  
E: info.nl@spxflow.com  
www.spxflow.com

SPX FLOW, Inc. reserves the right to incorporate our latest design and material changes without notice or obligation.

Design features, materials of construction and dimensional data, as described in this bulletin, are provided for your information only and should not be relied upon unless confirmed in writing. Please contact your local sales representative for product availability in your region. For more information visit [www.spxflow.com](http://www.spxflow.com).

The green 'S' and 'X' are trademarks of SPX FLOW, Inc.