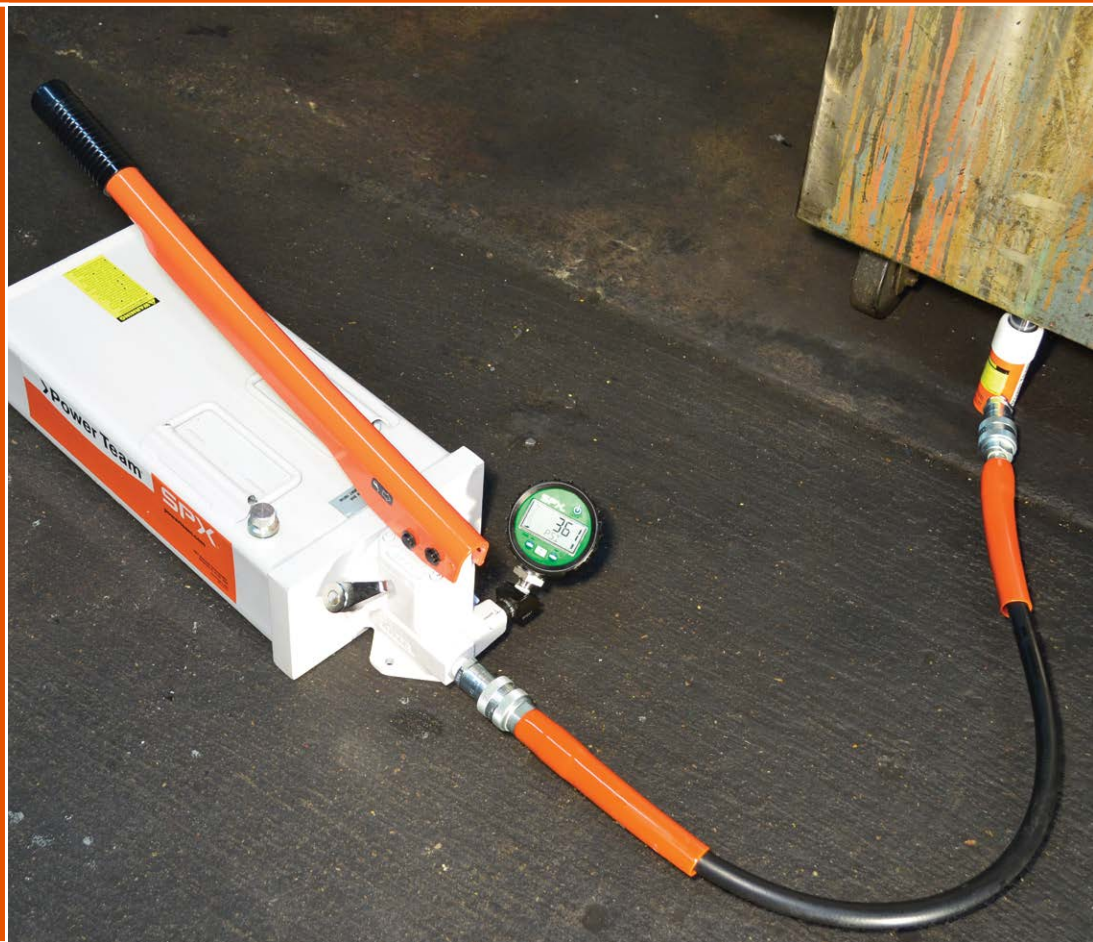


powerteam.com



DIGITAL PRESSURE GAUGE



**DIGITAL ACCURACY IN A SMALL
AND CONVENIENT PACKAGE**

SPX®

Order No.:
9042DG



Power Team's 9042DG was the perfect choice in accurately monitoring the force applied in this H frame press application.



Key Features:

- Digital gauge is easier to read and offers better accuracy¹ than a conventional analog gauge.
- The laser welded stainless steel sensor & socket and the IP67 weatherproof rating make this product suitable for use in the most demanding of applications.
- Five pre-programmed engineering units allow technicians to read pressure in the unit of measure most applicable to the process.
- The gauge also features a bar graph display for enhanced visibility.
- Includes automatic off-battery conservation, pressure tare, minimum pressure memory and maximum pressure.
- Vibration & shock tested to MIL-STD-202G.
- Agency Compliance / Approval: RoHS, CE, ASME B40.7, UL, cUL 61010-1.
- The gauges are calibrated for life at the factory and can be certified in the field if required.



Other Digital Gauges-DG100



- **DG100** (psi) digital gauge.
- **DG100B** (bar) digital gauge.

Upgrade to **DG100 or DG100B** when:



- Hi/Low alarms required.
- Relays triggered by hi/low pressure.
- Pressure display needs to be remotely mounted from measurement location.
- Accurate within 1% @ Full Scale.



Other Analog Gauges



Order No.	Liquid Filled	Primary Unit	Secondary Unit
9040	Silicone	psi	bar
9041	None	psi	bar
9040E	Silicone	bar	psi

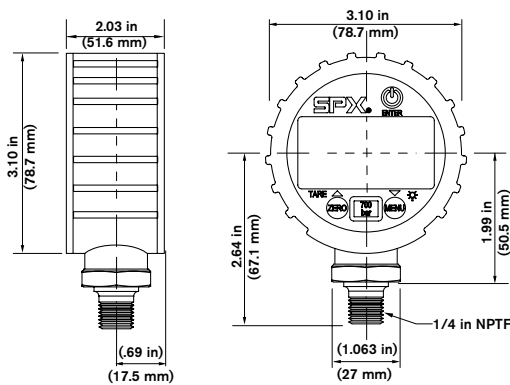
¹ Accuracy is 0.5% Full Scale, including the effects of linearity, hysteresis and repeatability. Comparison made against a 9040 analog gauge – including friction, parallax and other reading errors.

Technical Attributes



- 1 Protective rubber boot
- 2 Back-light and large 0.48" (12.2 mm) display easy reading
- 3 Displays in multiple engineering units: psi, bar, mPa, inHg, kg/cm²
- 4 Weatherproof IP67 enclosure
- 5 2,000 hr. life, (2) AA (LR6) batteries
- 6 Typical Cycle Life: 10,000,000
- 7 1/4" NPTF Male Threads

Technical Specifications



Ordering Information

Order No.	Face Dia. in (mm)	Rated Pressure psi (bar)	Temp Range °F (°C)	Tool Use	IP Rating	Batteries Included	Battery Life hrs	F.S. Accuracy	Product Weight lb (kg)
9042DG	2.5 (64)	0-10,000 (0-700)	-4 to +140 (-20 to +60)	All	IP67	2 x AA (LR6)	2,000	0.5%	0.53 (0.24)

Typical Mounting Setups

Power Team Hand Pump

Tee adapter (No. **9670**) is used for installing a gauge in line in a hydraulic circuit.

Pump or Remote Mounted Valve

No. **9678** 45° fitting

Hardware Requirements

- Does your pump have a 3/8" or 1/4" NPTF port?
- Are you direct-plumbing the gauge to your tool or seeking to quick-disconnect?
- Refer to the Power Team Catalog under the accessories section for a comprehensive range of fittings and couplers to meet your needs.

Safety Tip

When using couplers to detach the gauge, always use a metal cover (ordered separately) on the pump side (female) coupler when the gauge is removed.

Custom Scale

User programmable unit of measure allows you to set a custom scale to have the gauge display torque, force or weight to match the cylinder or tool being used.

CUSTOMER SERVICE CENTERS

North America

5885 11th Street
Rockford, IL 61109
USA

Customer Service/Order Entry

Tel: +1 800 541 1418
Fax: +1 800 288 7031

info@powerteam.com

Technical Services

Tel: +1 800 477 8326
Fax: +1 800 765 8326

European Headquarters

Albert Thijsstraat 12
6471 WX Eyselshoven
The Netherlands

Customer Service/Order Entry

Tel: +31 45 567 8877
Fax: +31 45 567 8878

infoeurope@powerteam.com

Asia Pacific Headquarters

26 Soon Lee Road
Singapore 628086
Singapore

Customer Service/Order Entry

Tel: +65 6265 3343
Fax: +65 6265 6646

infoasia@powerteam.com

Shanghai, China

No. 1568 Hua Shan Road
Treasury Building, 11th Floor
Shanghai 200052, China

Customer Service/Order Entry

Tel: +86 21 2208 5888
Fax: +86 21 2208 5682

infochina@powerteam.com

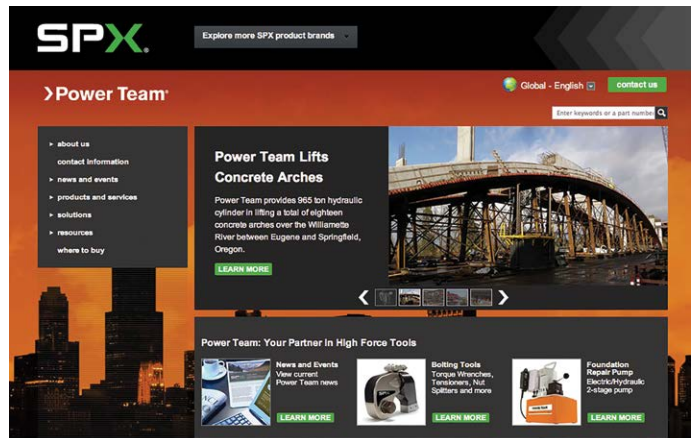
ENGINEERING, MANUFACTURING AND SUPPORT CENTER

World Headquarters

5885 11th Street
Rockford, IL 61109, USA
Tel: +1 815 874 5556
Fax: +1 800 288 7031

info@powerteam.com

Visit us at powerteam.com



Distributed by:

SPX®