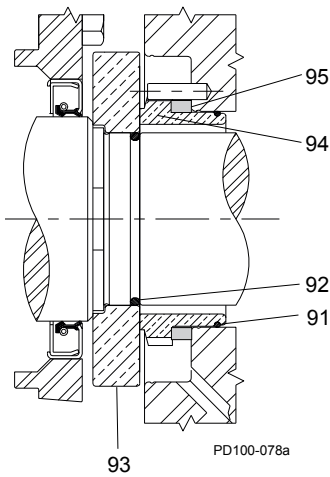


# Universal 2 Universal 2ND

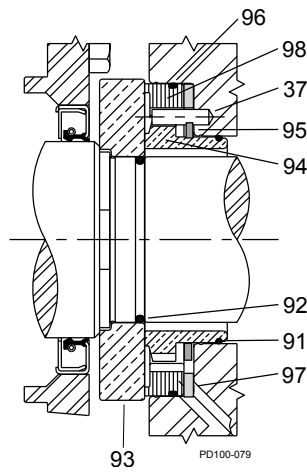
## SEAL REFERENCE CHART



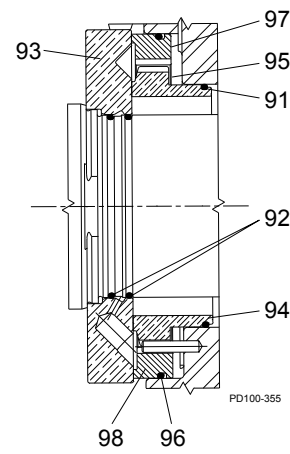
Waukesha Cherry-Burrell®



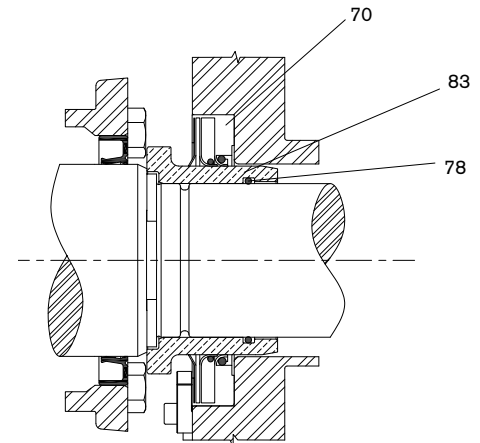
Standard Single Mechanical Seal



Standard Double Mechanical Seal



Aseptic Design Double Mechanical Seal  
(213, 323 U2 ONLY)



Triple Lip Seal

### UNIVERSAL 2 SEALS

ITEM NO.	DESCRIPTION	QTY. PER PUMP	PART NO. (BY MODEL)					NOTES
			006, 014, 015, 018 U2	030, 034, 040 U2	045, 060, 064, 130, 134 U2	180, 220, 224 U2	210, 214, 320, 324, 370 U2	
91	O-ring, Inner Seal, Buna N*	2	N70028	N70031	N70035	N70041	N70154	
	O-ring, Body, EPDM*		E70028	E70031	E70035	E70041	E70154	
	O-ring, Body, FKM*		V70028	V70031	V70035	V70041	V70154	
92	O-ring, Shaft, Buna N*	2 (See Note 1)	N70024	N70029	N70133	N70145	N70149	1
	O-ring, Shaft, EPDM*		E70024	E70029	E70133	E70145	E70149	
	O-ring, Shaft, FKM*		V70024	V70029	V70133	V70145	V70149	
93	Seal Seat, Ceramic*	2	101667+	101670+	101673+	101676+	105416+	
	Seal Seat, Silicon Carbide*		101668+	101671+	101674+	101677+	105417+ 112192+	
94	Seal Inner, Carbon*	2	101651+	101655+	101659+	101663+	105412+	
	Seal Inner, Ceramic*		101652+	101656+	101660+	101664+	105413+	
	Seal Inner, Silicon Carbide*		101653+	101657+	101661+	101665+	105414+	
	Seal Inner, Tungsten Carbide*		101654+	101658+	101662+	101666+	105415+	
95	Wave Spring, Inner Seal	2	101683+	101685+	101687+	101689+	105419+	
96	O-ring, Outer Seal, Buna N*	2	N70035	N70041	N70043	N70046	N70160	2
	O-ring, Outer Seal, EPDM*		E70035	E70041	E70043	E70046	E70160	
	O-ring, Outer Seal, FKM*		V70035	V70041	V70043	V70046	V70160	
97	Wave Spring, Outer Seal	2	101684+	101686+	101688+	101690+	105420+	2
98	Outer Seal, Carbon*	2	101679+	101680+	101681+	101682+	105418+	2

NOTES:  
 \* Recommended Spare Parts  
 1. Qty. (4) needed per pump on 213-U2 and 323-U2.  
 2. Double Mechanical Seal design only.  
 3. Single Mechanical Seal design only.  
 4. HPB and NF seals are NOT available on the 213-U2 or 323-U2.  
 5. Aseptic 213 and 323-U2 pumps are available only with a double mechanical seal.

### UNIVERSAL 2 SPECIALTY SEALS

ITEM NO.	DESCRIPTION	QTY. PER PUMP	PART NO. (BY MODEL)					NOTES
			006, 014, 015, 018 U2	030, 034, 040 U2	045, 060, 064, 130, 134 U2	180, 220, 224 U2	210, 214, 320, 324, 370 U2	
91	O-ring, Inner Seal, Buna N*	2	N70028	N70031	N70035	N70041	N70154	
	O-ring, Body, EPDM*	2	E70028	E70031	E70035	E70041	E70154	
	O-ring, Body, FKM*	2	V70028	V70031	V70035	V70041	V70154	
92	O-ring, Shaft, Buna N*	2	N70024	N70029	N70133	N70145	N70149	
	O-ring, Shaft, EPDM*	2	E70024	E70029	E70133	E70145	E70149	
	O-ring, Shaft, FKM*	2	V70024	V70029	V70133	V70145	V70149	
93	NF Seal Seat, Silicon Carbide*	2	124743+	124745+	124747+	124749+	124751+	3, 4
	NF Seal Seat, Tungsten Carbide*	2	124744+	124746+	124748+	124750+	124752+	
	HPB Seal Seat, Ceramic*	2	101667+	101670+	101673+	101676+	105416+	
	HPB Seal Seat, Silicon Carbide*	2	101668+	101671+	101674+	101677+	105417+	
94	NF Seal, Inner, Silicon Carbide*	2	124734+	124736+	124738+	124740+	124742+	3, 4
	NF Seal, Inner, Tungsten Carbide*	2	124733+	124735+	124737+	124739+	124741+	
	HPB Seal, Inner, Silicon Carbide*	2	110821+	110823+	110825+	110827+	110829+	
95	HPB Seal, Inner, Tungsten Carbide*	2	122324+	122325+	122326+	122327+	122328+	2, 4
	Wave Spring, Inner Seal	2	101683+	101685+	101687+	101689+	105419+	
96	O-ring, Outer Seal, Buna N*	2	N70035	N70041	N70043	N70046	N70160	2
	O-ring, Outer Seal, EPDM*	2	E70035	E70041	E70043	E70046	E70160	
	O-ring, Outer Seal, FKM*	2	V70035	V70041	V70043	V70046	V70160	
97	Wave Spring, Outer Seal	2	101684+	101686+	101688+	101690+	105420+	2
98	Outer Seal, Carbon*	2	101679+	101680+	101681+	101682+	105418+	2
70	Lip Seal, PTFE w/ FKM spacers	2	308787+	310098+	310918+	310338+	310341+	
78	Sleeve O-ring, Buna N*	2	N70026	N70030	N70136	N70148	N70151	
	Sleeve O-ring, FKM*		N70026	V70030	V70136	V70148	V70151	
83	Sleeve O-ring, EPDM*	2	E70026	E70030	E70136	E70148	E70151	
	Sleeve, Silicone Carbide		2	308774+	310099+	310920+	310336+	

SPX FLOW, Inc.

611 Sugar Creek Road

Delavan, WI 53115

P: (262) 728-1900 or (800) 252-5200

SPX FLOW, Inc. reserves the right to incorporate our latest design and material changes without notice or obligation. Design features, materials of construction and dimensional data, as described in this bulletin, are provided for your information only and should not be relied upon unless confirmed in writing. Please contact your local sales representative for product availability in your region. For more information, visit [www.spxflow.com](http://www.spxflow.com).

The green " » " is a trademark of SPX FLOW, Inc.

ISSUED 07/2024 PP-001 COPYRIGHT © 2024 SPX FLOW, Inc.

WHERE TO BUY

