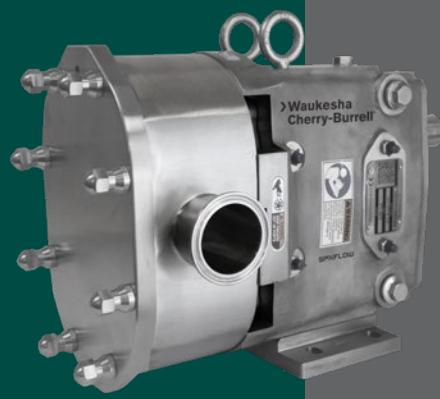


# Universal 3

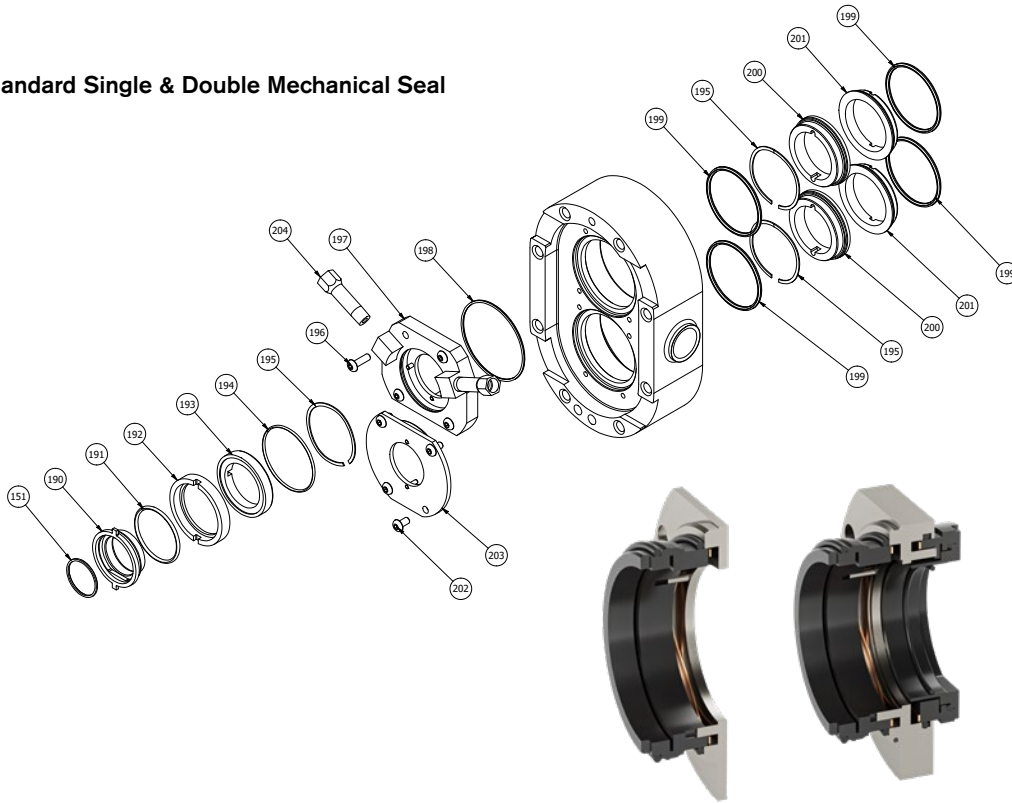
## SEAL REFERENCE CHART

Waukesha Cherry-Burrell®

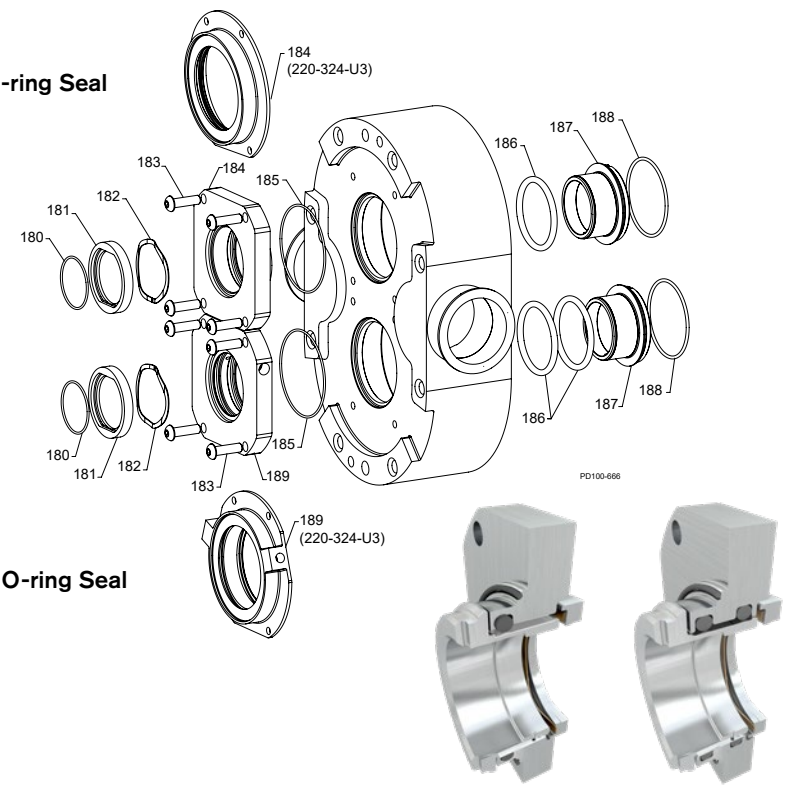
**SPXFLOW®**  
GENUINE PARTS



### Standard Single & Double Mechanical Seal



### Single O-ring Seal



### UNIVERSAL 3 SINGLE/DOUBLE MECHANICAL SEALS

ITEM NO.	DESCRIPTION		QTY. PER PUMP		PART NO. (BY MODEL)					NOTES
			SINGLE	DOUBLE	006, 014, 015, 018 U3	030, 034, 040 U3	045, 060, 064, 130, 134 U3	180, 184, 220, 224 U3	210, 214, 320, 324, U3	
151	O-ring, Adjusting Ring	EPDM	N/A	2	E70023	E70031	E70149			
		FKM			V70023	V70031	V70149			
190	Adjusting Ring		N/A	2	141988+	142473+	142489+			
191	O-ring, Adjusting Ring	EPDM	N/A	2	E70130	E70144	E70243			
		FKM			V70130	V70144	V70243			
192	Flush-Side Rotary Seal	SC	N/A	2	141989+	142474+	142490+			
193	Flush-Side Stationary Seal	C	N/A	2	141990+	142475+	142491+			
194	O-ring, Flush Side Stationary	EPDM	N/A	2	E70033	E70147	E70158			
		FKM			V70033	V70147	V70158			
195	Wave Spring		2	4	142102+	142484+	142500+			
196	Seal Housing Bolt DM		N/A	8	30-26	30-745	30-725	30-743	30-725	
197	Seal Housing DM		N/A	2	141991+	142485+	142487+	142501+	142503+	
198	O-ring Seal Housing	EPDM	N/A	2	E70036	E70041	E70249			
		FKM			V70036	V70041	V70249			
199	O-ring Product Side	EPDM	4	4	E70135	E70147	E70248			
		FKM			V70135	V70147	V70248			
200	Product side stationary seal	C	2	2	141992+	142476+	142492+			
		SC			141993+	142477+	142493+			
		TC			141994+	142478+	142494+			
		SC NF			141995+	142479+	142495+			
		SC NF			141996+	142480+	142496+			
		TC NF			141997+	142481+	142497+			
201	Product side rotary seal	SC	2	2	141998+	142482+	142498+			
		TC			141999+	142483+	142499+			
202	Seal Housing Bolt SM		8	N/A	30-546	30-741	30-296	30-775		
203	Seal Housing SM		2	N/A	142000+	142486+	142488+	142502+	142504+	
204	Flush Extension	NPT	N/A	4	141189+		141190+			
		BSP			141191+		141192+			

### UNIVERSAL 3 SINGLE/DOUBLE O-RING SEALS

ITEM NO.	DESCRIPTION		QTY. PER PUMP		PART NO. (BY MODEL)					NOTES
			DOUBLE	SINGLE	006, 014, 015, 018 U3	030, 034, 040 U3	045, 060, 064, 130, 134 U3	180, 184, 220, 224 U3	210, 214, 320, 324, U3	
180	O-ring sleeve, black	EPDM	2	2	E70024	E70031	E70150			
		FKM			V70024	V70031	V70150			
181	Spring Seat, O-ring Seal		2	2	138467+	138442+	139115+			
182	Wave Spring		2	2	139799+	101685+	101688+			
183	Button Socket Head Cap Screw (BSHCS)	Single	2	2	30-546	30-742	30-741			
		Double			30-747					
184	Housing, Single O-ring Seal		N/A	2	138470+	138424+	138425+	139098+	139099+	
185	O-ring seal housing	EPDM	2	2	E70036	E70041	L25071004			
		FKM			V70036	V70041	L25071002			
186	O-ring seal	EPDM	4	2	E70326	E70331	E70343			
		FKM			V70326	V70331	V70343			
187	Sleeve, O-ring Seal	COX	2	2	138465+	138428+	139116+			
		SS			140543+	140544+	140545+			
188	O-ring, sleeve front	EPDM	2	2	E70135	E70147	E70248			
		FKM			V70135	V70147	V70248			
189	Housing, Double O-ring Seal		2	N/A	138466+	138426+	138427+	139095+	139097+	

NOTES:  
 \* Recommended Spare Parts  
 1. Does not apply to U3 pumps 180-U3 and larger  
 2. Wave Spring Kit contains 1 wave spring and 1 drive ring.

Abbreviation Key:  
 SM Single Mechanical  
 DM Double Mechanical  
 C Carbon  
 SC Silicon Carbide  
 TC Tungsten Carbide  
 NF Narrow Face

SPX FLOW, Inc.  
 611 Sugar Creek Road  
 Delavan, WI 53115  
 P: (262) 728-1900 or (800) 252-5200

SPX FLOW, Inc. reserves the right to incorporate our latest design and material changes without notice or obligation. Design features, materials of construction and dimensional data, as described in this bulletin, are provided for your information only and should not be relied upon unless confirmed in writing. Please contact your local sales representative for product availability in your region. For more information, visit [www.spxflow.com](http://www.spxflow.com).  
 The green " » " is a trademark of SPX FLOW, Inc.

ISSUED 02/2024 PP-003 COPYRIGHT © 2024 SPX FLOW, Inc.

### SEAL KIT CHARTS



### WHERE TO BUY

