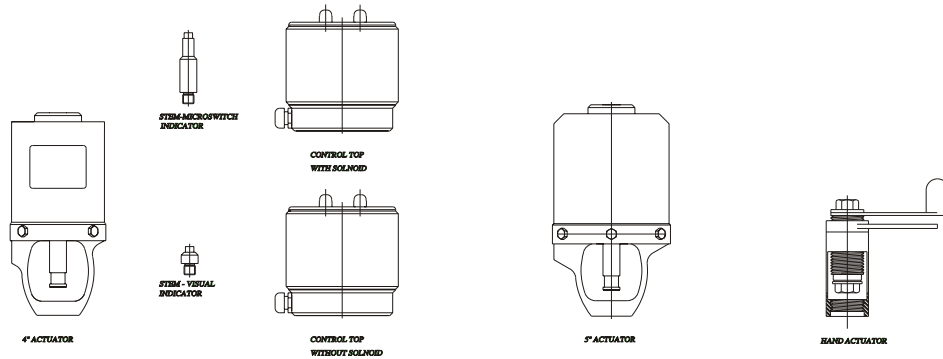
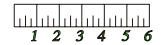


# DRAWING AT FULL SCALE, PLOT AT 0.2500=1!!!

## ACTUATORS



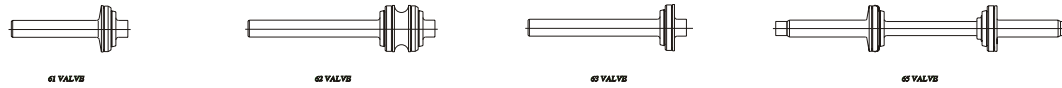
TYPE	SIZE	A-DIM
UPPER & LOWER BODY	1	2.015
	1-1/2	2.265
	2	3.015
	2-1/2	3.015
	3	3.265
IN-LINE	1	4.002
	1-1/2	4.865
	2	6.343
	2-1/2	7.822
	3	9.260
	4	12.077



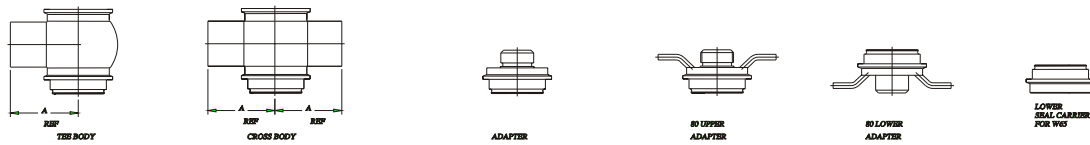
## SEATS



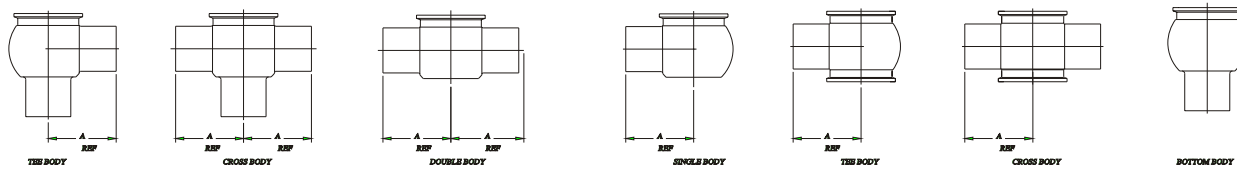
## STEMS



## UPPER BODY



## LOWER BODY



## SPECIAL BODY

